

## PRODUCTS INFORMATION:

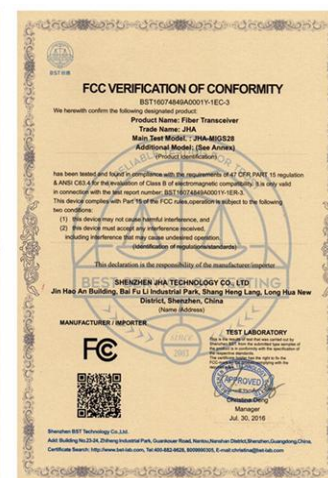
- Industrial Media Converter
- Industrial Ethernet Switch
- Industrial PoE Switch

**Industrial solutions, reliable performance and unwavering support.**

As the global experts in communication, monitoring and control for industrial automation and networking, JHA-Tech has been delivering innovative solutions for over 10 years. Our industrial Ethernet product enables companies worldwide to gain real-time data visibility that drives productivity.

For more information, please visit [www.jha-tech.com](http://www.jha-tech.com)

## CERTIFICATIONS:



# CONTENTS

## Industrial Media Converter & Ethernet Switch

1 100Base-FX and 1 10/100Base-T(X) (Mini Type)	004-006
1 100Base-FX and 2 10/100Base-T(X) (Mini Type)	007-009
1 1000Base-X SFP Slot and 1 10/100/1000Base-T(X) (Mini Type)	010-012
1 1000Base-X SFP Slot and 2 10/100/1000Base-T(X) (Mini Type)	013-015
5 10/100Base-T(X) (Mini Type)	016-018
5 10/100Base-T(X)	019-021
8 10/100Base-T(X)	022-024
1 100Base-FX and 1 10/100Base-T(X)	025-027
1 100Base-FX and 2 10/100Base-T(X)	028-030
1 100Base-FX and 4 10/100Base-T(X)	031-033
2 100Base-FX and 6 10/100Base-T(X)	034-036
5 10/100/1000Base-T(X)	037-039
8 10/100/1000Base-T(X)	040-042
1 1000Base-X SFP Slot and 1 10/100/1000Base-T(X)	043-045
1 1000Base-X SFP Slot and 2 10/100/1000Base-T(X)	046-048
1 1000Base-X SFP Slot and 4 10/100/1000Base-T(X)	049-051
2 1000Base-X SFP Slot and 4 10/100/1000Base-T(X)	052-054
2 1000Base-X SFP Slot and 8 10/100/1000Base-T(X)	055-057
1 1000Base-X SFP Slot and 8 10/100Base-T(X)	058-060
2 1000Base-X SFP Slot and 8 10/100Base-T(X)	061-063

## Managed Industrial Ethernet Switch

2 1000Base-X SFP Slot and 4 10/100/1000Base-T(X)	064-066
2 1000Base-X SFP Slot and 8 10/100/1000Base-T(X)	067-069
4 1000Base-X SFP Slot and 8 10/100/1000Base-T(X)	070-072

## Unmanaged Industrial PoE Switch

4 10/100Base-T(X) PoE/PoE+ and 1 10/100Base-T(X)	073-075
8 10/100Base-T(X) PoE/PoE+	076-078
1 10/100Base-T(X) PoE/PoE+ and 1 100Base-FX	079-081
2 10/100Base-T(X) PoE/PoE+ and 1 100Base-FX	082-084
4 10/100Base-T(X) PoE/PoE+ and 1 100Base-FX	085-087
6 10/100Base-T(X) PoE/PoE+ and 2 100Base-FX	088-090
4 10/100/1000Base-T(X) PoE/PoE+ and 1 10/100/1000Base-T(X)	091-093
8 10/100/1000Base-T(X) PoE/PoE+	094-096
1 10/100/1000Base-T(X) PoE/PoE+ and 1 1000Base-X SFP Slot	097-099
2 10/100/1000Base-T(X) PoE/PoE+ and 1 1000Base-X SFP Slot	100-102
4 10/100/1000Base-T(X) PoE/PoE+ and 1 1000Base-X SFP Slot	103-105
4 10/100/1000Base-T(X) PoE/PoE+ and 2 1000Base-X SFP Slot	106-108
8 10/100/1000Base-T(X) PoE/PoE+ and 2 1000Base-X SFP Slot	109-111
8 10/100Base-T(X) PoE/PoE+ and 1 1000Base-X SFP Slot	112-114
8 10/100Base-T(X) PoE/PoE+ and 2 1000Base-X SFP Slot	115-117

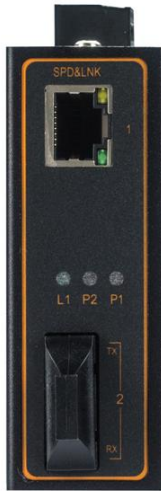
## Managed Industrial PoE Switch

4 10/100/1000Base-T(X) PoE/PoE+ and 2 1000Base-X SFP Slot	118-120
8 10/100/1000Base-T(X) PoE/PoE+ and 2 1000Base-X SFP Slot	121-123
8 10/100/1000Base-T(X) PoE/PoE+ and 4 1000Base-X SFP Slot	124-126

## JHA-IF11M Series

2-port Industrial Media Converter, with 1 100Base-FX Fiber Port and 1 10/100Base-T(X) Ethernet Port

### Features



- Support 1 100Base-FX fiber port and 1 10/100Base-T(X) Ethernet port.
- Support IEEE802.3, IEEE802.3u, IEEE802.3x.
- Plug-and-play, 10/100Base-T(X), full/half duplex, MDI/MDI-X auto-adaptation.
- Industrial chip design, 15kV ESD protection, 8kV surge protection.
- DC10-58V redundancy power, reverse polarity protection.
- Industrial grade 4 design, -40-85° C operating temperature.
- IP40 rated aluminum alloy housing, DIN-Rail mounted.

### Introduction

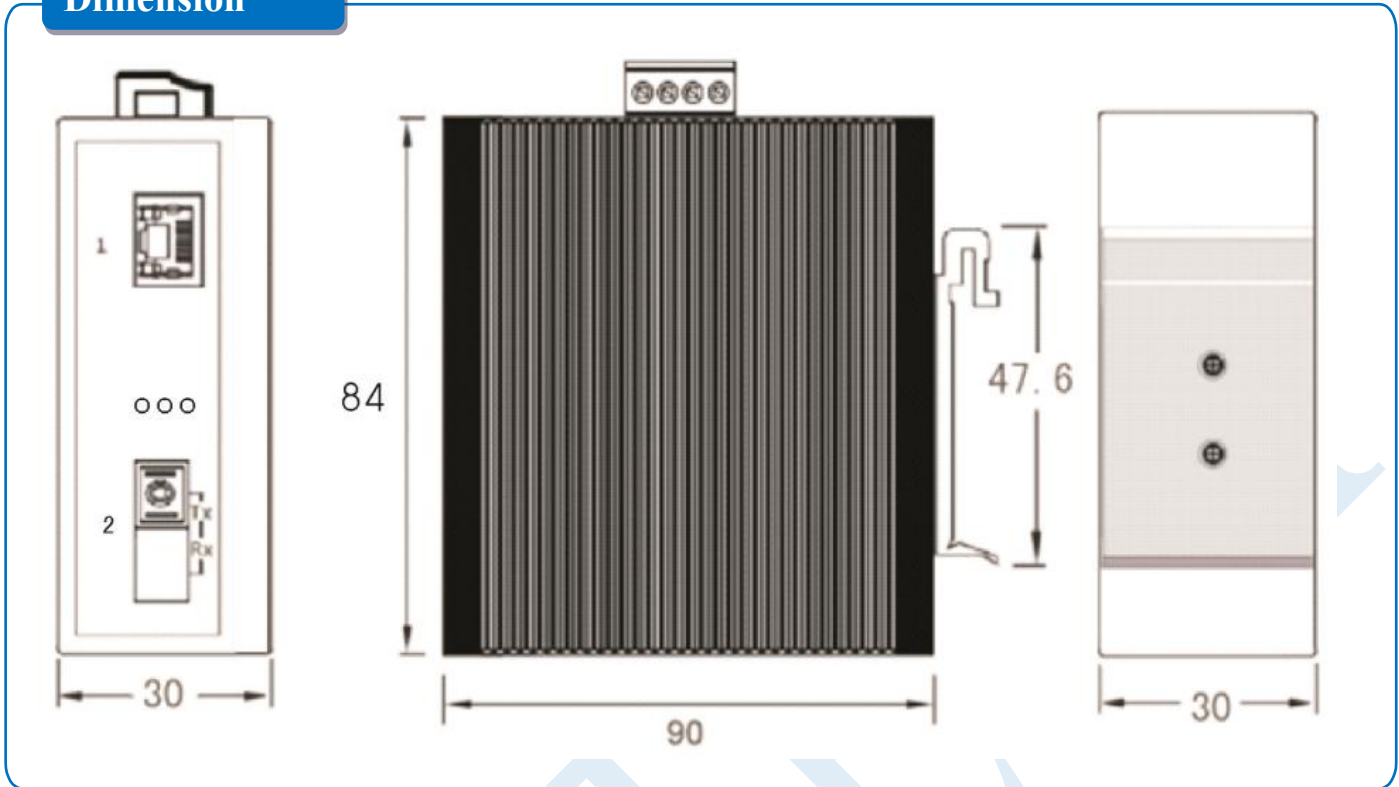
JHA-IF11M is a plug-and-play industrial media converter, which can provide economical solution for your Ethernet. Its dust-proof fully sealed structure(IP40 protection grade), over-current, over-voltage and EMC protected, redundant double power input as well as built-in intelligent alarm design can help system main tenancy personnel monitor the network operation, which can work reliably in harsh and dangerous environment.

JHA-IF11M support 1 100Base-FX fiber port and 1 10/100Base-T(X) Ethernet port. It support CE, FCC, RoHS standard, rugged high-strength metal case, power input (DC10-58V). The switch support IEEE802.3, IEEE802.3u, IEEE802.3x with 10/100Base-T(X), full/half-duplex, and MDI/MDI-X auto-adaptation, the -40-85 °C operating temperature can meet all kinds of industrial environment requirement, providing reliable and economic solution for your industrial Ethernet network.

## Specification

<b>Protocol Standard</b>	IEEE802.3, IEEE802.3u, IEEE802.3x
<b>Flow Control</b>	IEEE802.3x flow control, back press flow control
<b>Switching Performance</b>	Forwarding Rate: 0.446Mpps Transmission Mode: Store and Forward Packet Buffer Size: 512K System Exchange Bandwidth: 0.6Gbps MAC Table Size: 1K Delay Time: < 3 $\mu$ s
<b>Ethernet Port</b>	10/100Base-T(X) auto speed control, half/full duplex and MDI/MDI-X auto-adaptation
<b>Fiber Port</b>	100Base-FX fiber port
<b>LED Indicator</b>	Power Indicator: P1, P2 Port Indicator: LINK / ACT
<b>Power Supply</b>	Input Voltage: DC10-58V Connector: 4 bit 5.08mm removable terminal block Full Load: <2.5W Protection Mechanism: overload protection, reverse connection protection, redundancy protection
<b>Mechanical Structure</b>	Shell: IP40 protection, aluminum alloy housing Dimension: 90*84*30mm( L*W*H ) Weight: 300g Installation: DIN-Rail mounting, wall mounting
<b>Operating Environment</b>	Operating Temperature: -40-85 $^{\circ}$ C Storage Temperature: -40-85 $^{\circ}$ C Ambient Relative Humidity: 5%-95% (non-condensing)
<b>Industry Standards</b>	EMI:FCC Part 15 Subpart B Class A, EN 55022 Class A EMS:EN61000-4-2 (ESD), Level 4 at 15kV(Air), 8kV(Contact) EN61000-4-3 (R/S), Level 3 at 10V/m EN61000-4-4 (EFT), Level 4 at 4kV(Power Port), 2kV(Date Port) EN61000-4-5 (Surge), Level 4 at 4kV EN61000-4-6 (CS), Level 3 at 10V/m EN61000-4-8, Level 5 at 100A/m Shock:IEC 60068-2-27 Free Fall:IEC 60068-2-32 Vibration:IEC 60068-2-6
<b>Certification</b>	CE, FCC, RoHS
<b>MTBF</b>	>100,000 Hours
<b>Warranty</b>	5-years

### Dimension



### Order Information

Model No.	Description of Goods
JHA-IF11M	Industrial Media Converter, 1 100Base-FX and 1 10/100Base-T(X), SC Connector, Multimode, Dual Fiber, 2Km, DIN-Rail, DC10-58V, -40-85° C Operating Temperature
JHA-IF11M-20	Industrial Media Converter, 1 100Base-FX and 1 10/100Base-T(X), SC Connector, Single Mode, Dual Fiber, 20Km, DIN-Rail, DC10-58V, -40-85° C Operating Temperature
JHA-IF11WM-20	Industrial Media Converter, 1 100Base-FX and 1 10/100Base-T(X), SC Connector, Single Mode, Single Fiber, 20Km, DIN-Rail, DC10-58V, -40-85° C Operating Temperature
JHA-IFS11M	Industrial Media Converter, 1 100Base-X SFP Slot and 1 10/100Base-T(X), DIN-Rail, DC10-58V, -40-85° C Operating Temperature

**Fiber Connector:** SC/ST/FC/LC(SFP Slot), Single Mode/Multimode, Dual Fiber/Single Fiber, 2Km/20Km/40Km/60Km/80Km/100Km/120Km is Optional.

**Power Supply:** DC24V DIN-Rail Power Supply or Power Adapter is Optional.

## JHA-IF12M Series

3-port Industrial Media Converter, with 1 100Base-FX Fiber Port and 2 10/100Base-T(X) Ethernet Port

### Features



- Support 1 100Base-FX fiber port and 2 10/100Base-T(X) Ethernet port.
- Support IEEE802.3, IEEE802.3u, IEEE802.3x.
- Plug-and-play, 10/100Base-T(X), full/half duplex, MDI/MDI-X auto-adaptation.
- Industrial chip design, 15kV ESD protection, 8kV surge protection.
- DC10-58V redundancy power, reverse polarity protection.
- Industrial grade 4 design, -40-85° C operating temperature.
- IP40 rated aluminum alloy housing, DIN-Rail mounted.

### Introduction

JHA-IF12M is a plug-and-play industrial media converter, which can provide economical solution for your Ethernet. Its dust-proof fully sealed structure(IP40 protection grade), over-current, over-voltage and EMC protected, redundant double power input as well as built-in intelligent alarm design can help system main tenancy personnel monitor the network operation, which can work reliably in harsh and dangerous environment.

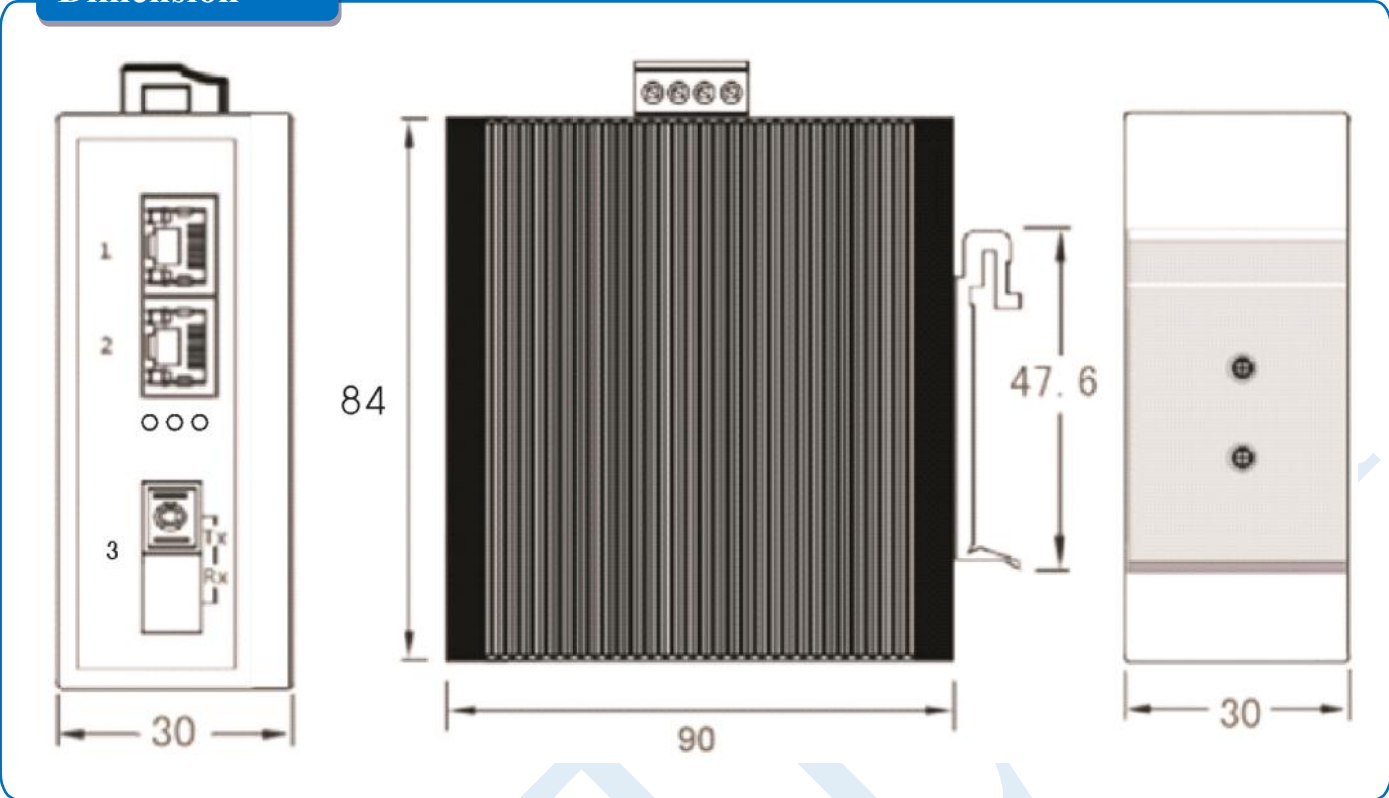
JHA-IF12M support 1 100Base-FX fiber port and 2 10/100Base-T(X) Ethernet port. It support CE, FCC, RoHS standard, rugged high-strength metal case, power input (DC10-58V). The switch support IEEE802.3, IEEE802.3u, IEEE802.3x with 10/100Base-T(X), full/half-duplex, and MDI/MDI-X auto-adaptation, the -40-85 °C operating temperature can meet all kinds of industrial environment requirement, providing reliable and economic solution for your industrial Ethernet network.

## Specification

<b>Protocol Standard</b>	IEEE802.3, IEEE802.3u, IEEE802.3x
<b>Flow Control</b>	IEEE802.3x flow control, back press flow control
<b>Switching Performance</b>	Forwarding Rate: 0.446Mpps Transmission Mode: Store and Forward Packet Buffer Size: 512K System Exchange Bandwidth: 0.6Gbps MAC Table Size: 1K Delay Time: < 3μs
<b>Ethernet Port</b>	10/100Base-T(X) auto speed control, half/full duplex and MDI/MDI-X auto-adaptation
<b>Fiber Port</b>	100Base-FX fiber port
<b>LED Indicator</b>	Power Indicator: P1, P2 Port Indicator: LINK / ACT
<b>Power Supply</b>	Input Voltage: DC10-58V Connector: 4 bit 5.08mm removable terminal block Full Load: <2.5W Protection Mechanism: overload protection, reverse connection protection, redundancy protection
<b>Mechanical Structure</b>	Shell: IP40 protection, aluminum alloy housing Dimension: 90*84*30mm( L*W*H ) Weight: 300g Installation: DIN-Rail mounting, wall mounting
<b>Operating Environment</b>	Operating Temperature: -40-85°C Storage Temperature: -40-85°C Ambient Relative Humidity: 5%-95% (non-condensing)
<b>Industry Standards</b>	EMI:FCC Part 15 Subpart B Class A, EN 55022 Class A EMS:EN61000-4-2 (ESD), Level 4 at 15kV(Air), 8kV(Contact) EN61000-4-3 (R/S), Level 3 at 10V/m EN61000-4-4 (EFT), Level 4 at 4kV(Power Port), 2kV(Date Port) EN61000-4-5 (Surge), Level 4 at 4kV EN61000-4-6 (CS), Level 3 at 10V/m EN61000-4-8, Level 5 at 100A/m Shock:IEC 60068-2-27 Free Fall:IEC 60068-2-32 Vibration:IEC 60068-2-6
<b>Certification</b>	CE, FCC, RoHS
<b>MTBF</b>	>100,000 Hours
<b>Warranty</b>	5-years



**Dimension**



**Order Information**

Model No.	Description of Goods
JHA-IF12M	Industrial Media Converter, 1 100Base-FX and 2 10/100Base-T(X), SC Connector, Multimode, Dual Fiber, 2Km, DIN-Rail, DC10-58V, -40-85° C Operating Temperature
JHA-IF12M-20	Industrial Media Converter, 1 100Base-FX and 2 10/100Base-T(X), SC Connector, Single Mode, Dual Fiber, 20Km, DIN-Rail, DC10-58V, -40-85° C Operating Temperature
JHA-IF12WM-20	Industrial Media Converter, 1 100Base-FX and 2 10/100Base-T(X), SC Connector, Single Mode, Single Fiber, 20Km, DIN-Rail, DC10-58V, -40-85° C Operating Temperature
JHA-IFS12M	Industrial Media Converter, 1 100Base-X SFP Slot and 2 10/100Base-T(X), DIN-Rail, DC10-58V, -40-85° C Operating Temperature

**Fiber Connector:** SC/ST/FC/LC(SFP Slot), Single Mode/Multimode, Dual Fiber/Single Fiber, 2Km/20Km/40Km/60Km/80Km/100Km/120Km is Optional.

**Power Supply:** DC24V DIN-Rail Power Supply or Power Adapter is Optional.

## JHA-IGS11M Series

2-port Industrial Media Converter, with 1 1000Base-X SFP Slot and 1 10/100/1000Base-T(X) Ethernet Port

### Features



- Support 1 1000Base-X SFP slot and 1 10/100/1000Base-T(X) Ethernet port.
- Support IEEE802.3, IEEE802.3u, IEEE802.3x.
- Plug-and-play, 10/100/1000Base-T(X), full/half duplex, MDI/MDI-X auto-adaptation.
- Industrial chip design, 15kV ESD protection, 8kV surge protection.
- DC10-58V redundancy power, reverse polarity protection.
- Industrial grade 4 design, -40-85° C operating temperature.
- IP40 rated aluminum alloy housing, DIN-Rail mounted.

### Introduction

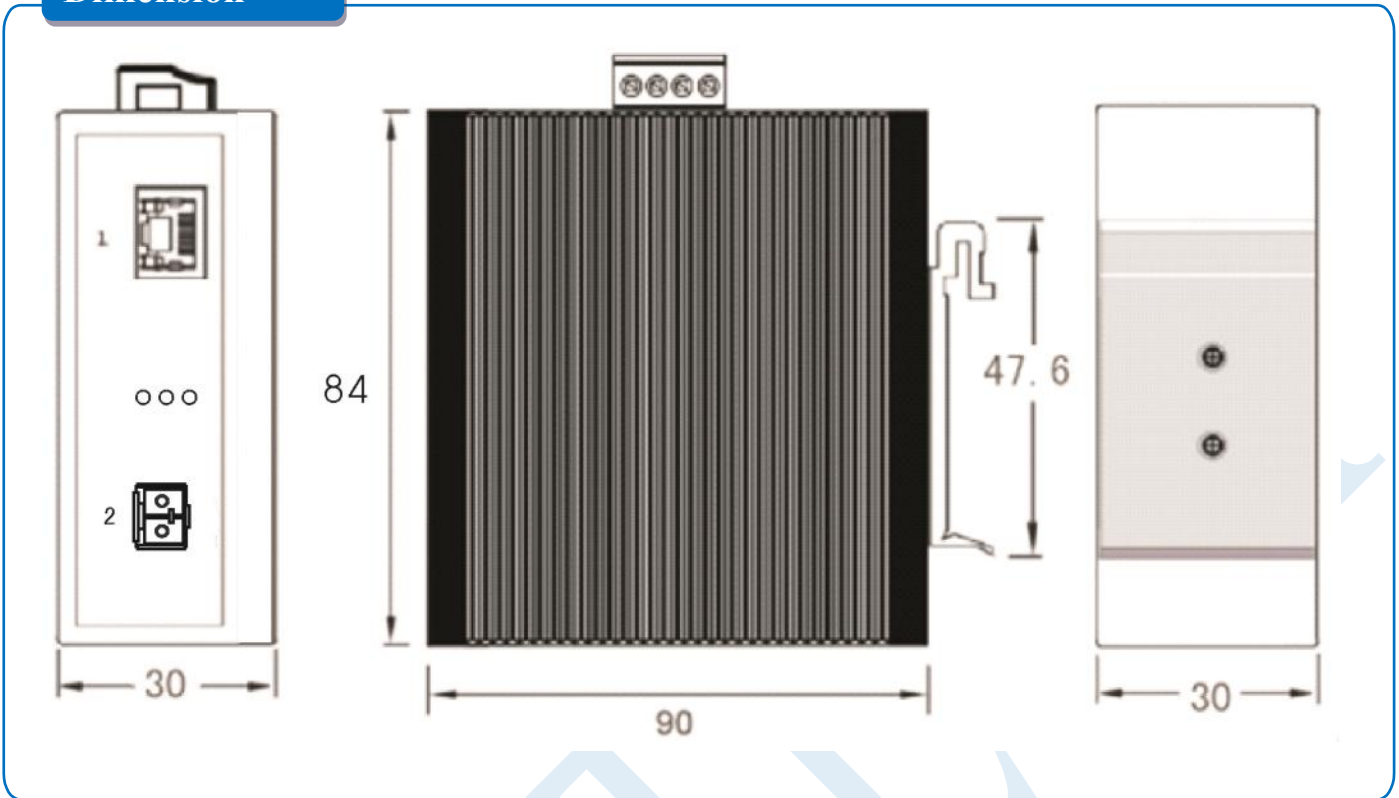
JHA-IGS11M is a plug-and-play industrial media converter, which can provide economical solution for your Ethernet. Its dust-proof fully sealed structure(IP40 protection grade), over-current, over-voltage and EMC protected, redundant double power input as well as built-in intelligent alarm design can help system main tenancy personnel monitor the network operation, which can work reliably in harsh and dangerous environment.

JHA-IGS11M support 1 1000Base-X SFP slot and 1 10/100/1000Base-T(X) Ethernet port. It support CE, FCC, RoHS standard, rugged high-strength metal case, power input (DC10-58V). The switch support IEEE802.3, IEEE802.3u, IEEE802.3x with 10/100/1000Base-T(X), full/half-duplex, and MDI/MDI-X auto-adaptation, the -40-85 °C operating temperature can meet all kinds of industrial environment requirement, providing reliable and economic solution for your industrial Ethernet network.

## Specification

<b>Protocol Standard</b>	IEEE802.3, IEEE802.3u, IEEE802.3x
<b>Flow Control</b>	IEEE802.3x flow control, back press flow control
<b>Switching Performance</b>	Forwarding Rate: 4.46Mpps Transmission Mode: Store and Forward Packet Buffer Size: 1M System Exchange Bandwidth: 6Gbps MAC Table Size: 8K Delay Time: < 4μs
<b>Ethernet Port</b>	10/100/1000Base-T(X) auto speed control, half/full duplex and MDI/MDI-X auto-adaptation
<b>Fiber Port</b>	1000Base-X SFP slot
<b>LED Indicator</b>	Power Indicator: P1, P2 Port Indicator: LINK / ACT
<b>Power Supply</b>	Input Voltage: DC10-58V Connector: 4 bit 5.08mm removable terminal block Full Load: <3W Protection Mechanism: overload protection, reverse connection protection, redundancy protection
<b>Mechanical Structure</b>	Shell: IP40 protection, aluminum alloy housing Dimension: 90*84*30mm( L*W*H ) Weight: 300g Installation: DIN-Rail mounting, wall mounting
<b>Operating Environment</b>	Operating Temperature: -40-85°C Storage Temperature: -40-85°C Ambient Relative Humidity: 5%-95% (non-condensing)
<b>Industry Standards</b>	EMI:FCC Part 15 Subpart B Class A, EN 55022 Class A EMS:EN61000-4-2 (ESD), Level 4 at 15kV(Air), 8kV(Contact) EN61000-4-3 (R/S), Level 3 at 10V/m EN61000-4-4 (EFT), Level 4 at 4kV(Power Port), 2kV(Date Port) EN61000-4-5 (Surge), Level 4 at 4kV EN61000-4-6 (CS), Level 3 at 10V/m EN61000-4-8, Level 5 at 100A/m Shock:IEC 60068-2-27 Free Fall:IEC 60068-2-32 Vibration:IEC 60068-2-6
<b>Certification</b>	CE, FCC, RoHS
<b>MTBF</b>	>100,000 Hours
<b>Warranty</b>	5-years

**Dimension**



**Order Information**

Model No.	Description of Goods
JHA-IGS11M	Industrial Media Converter, 1 1000Base-X SFP Slot and 1 10/100/1000Base-T(X), DIN-Rail, DC10-58V, -40-85° C Operating Temperature
JHA-IG11M	Industrial Media Converter, 1 1000Base-FX and 1 10/100/1000Base-T(X), SC Connector, Multimode, Dual Fiber, 550m, DIN-Rail, DC10-58V, -40-85° C Operating Temperature
JHA-IG11M-20	Industrial Media Converter, 1 1000Base-FX and 1 10/100/1000Base-T(X), SC Connector, Single Mode, Dual Fiber, 20Km, DIN-Rail, DC10-58V, -40-85° C Operating Temperature
JHA-IG11WM-20	Industrial Media Converter, 1 1000Base-FX and 1 10/100/1000Base-T(X), SC Connector, Single Mode, Single Fiber, 20Km, DIN-Rail, DC10-58V, -40-85° C Operating Temperature

**Fiber Connector:** SC/ST/FC/LC(SFP Slot), Single Mode/Multimode, Dual Fiber/Single Fiber, 550m/2Km/20Km/40Km/60Km/80Km/100Km/120Km is Optional.

**Power Supply:** DC24V DIN-Rail Power Supply or Power Adapter is Optional.

## JHA-IGS12M Series

3-port Industrial Media Converter, with 1 1000Base-X SFP Slot and 2 10/100/1000Base-T(X) Ethernet Port

### Features



- Support 1 1000Base-X SFP slot and 2 10/100/1000Base-T(X) Ethernet port.
- Support IEEE802.3, IEEE802.3u, IEEE802.3x.
- Plug-and-play, 10/100/1000Base-T(X), full/half duplex, MDI/MDI-X auto-adaptation.
- Industrial chip design, 15kV ESD protection, 8kV surge protection.
- DC10-58V redundancy power, reverse polarity protection.
- Industrial grade 4 design, -40-85° C operating temperature.
- IP40 rated aluminum alloy housing, DIN-Rail mounted.

### Introduction

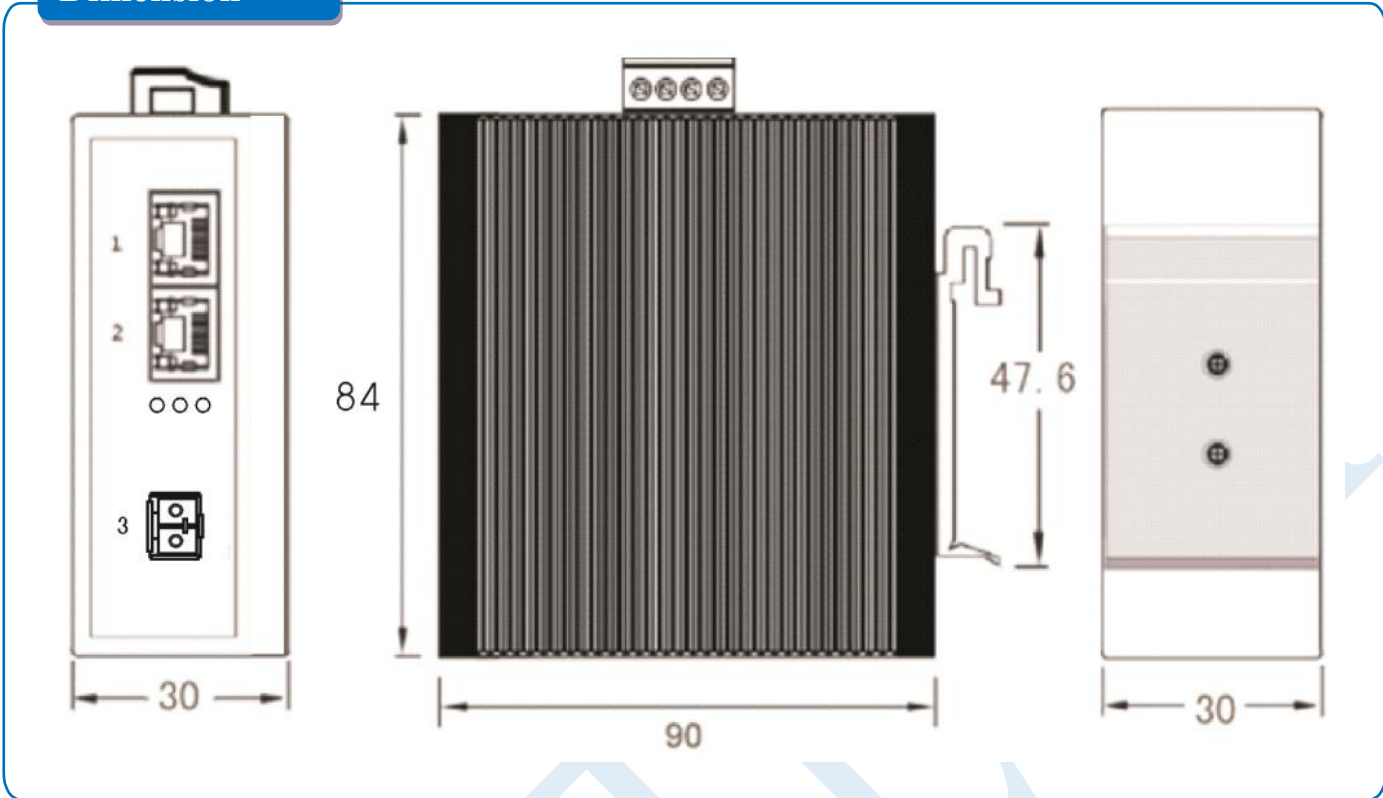
JHA-IGS12M is a plug-and-play industrial media converter, which can provide economical solution for your Ethernet. Its dust-proof fully sealed structure(IP40 protection grade), over-current, over-voltage and EMC protected, redundant double power input as well as built-in intelligent alarm design can help system main tenancy personnel monitor the network operation, which can work reliably in harsh and dangerous environment.

JHA-IGS12M support 1 1000Base-X SFP slot and 2 10/100/1000Base-T(X) Ethernet port. It support CE, FCC, RoHS standard, rugged high-strength metal case, power input (DC10-58V). The switch support IEEE802.3, IEEE802.3u, IEEE802.3x with 10/100/1000Base-T(X), full/half-duplex, and MDI/MDI-X auto-adaptation, the -40-85 °C operating temperature can meet all kinds of industrial environment requirement, providing reliable and economic solution for your industrial Ethernet network.

## Specification

<b>Protocol Standard</b>	IEEE802.3, IEEE802.3u, IEEE802.3x
<b>Flow Control</b>	IEEE802.3x flow control, back press flow control
<b>Switching Performance</b>	Forwarding Rate: 4.46Mpps Transmission Mode: Store and Forward Packet Buffer Size: 1M System Exchange Bandwidth: 6Gbps MAC Table Size: 8K Delay Time: < 4μs
<b>Ethernet Port</b>	10/100/1000Base-T(X) auto speed control, half/full duplex and MDI/MDI-X auto-adaptation
<b>Fiber Port</b>	1000Base-X SFP slot
<b>LED Indicator</b>	Power Indicator: P1, P2 Port Indicator: LINK / ACT
<b>Power Supply</b>	Input Voltage: DC10-58V Connector: 4 bit 5.08mm removable terminal block Full Load: <3W Protection Mechanism: overload protection, reverse connection protection, redundancy protection
<b>Mechanical Structure</b>	Shell: IP40 protection, aluminum alloy housing Dimension: 90*84*30mm( L*W*H ) Weight: 300g Installation: DIN-Rail mounting, wall mounting
<b>Operating Environment</b>	Operating Temperature: -40-85°C Storage Temperature: -40-85°C Ambient Relative Humidity: 5%-95% (non-condensing)
<b>Industry Standards</b>	EMI:FCC Part 15 Subpart B Class A, EN 55022 Class A EMS:EN61000-4-2 (ESD), Level 4 at 15kV(Air), 8kV(Contact) EN61000-4-3 (R/S), Level 3 at 10V/m EN61000-4-4 (EFT), Level 4 at 4kV(Power Port), 2kV(Date Port) EN61000-4-5 (Surge), Level 4 at 4kV EN61000-4-6 (CS), Level 3 at 10V/m EN61000-4-8, Level 5 at 100A/m Shock:IEC 60068-2-27 Free Fall:IEC 60068-2-32 Vibration:IEC 60068-2-6
<b>Certification</b>	CE, FCC, RoHS
<b>MTBF</b>	>100,000 Hours
<b>Warranty</b>	5-years

**Dimension**



**Order Information**

Model No.	Description of Goods
JHA-IGS12M	Industrial Media Converter, 1 1000Base-X SFP Slot and 2 10/100/1000Base-T(X), DIN-Rail, DC10-58V, -40-85° C Operating Temperature
JHA-IG12M	Industrial Media Converter, 1 1000Base-FX and 2 10/100/1000Base-T(X), SC Connector, Multimode, Dual Fiber, 550m, DIN-Rail, DC10-58V, -40-85° C Operating Temperature
JHA-IG12M-20	Industrial Media Converter, 1 1000Base-FX and 2 10/100/1000Base-T(X), SC Connector, Single Mode, Dual Fiber, 20Km, DIN-Rail, DC10-58V, -40-85° C Operating Temperature
JHA-IG12WM-20	Industrial Media Converter, 1 1000Base-FX and 2 10/100/1000Base-T(X), SC Connector, Single Mode, Single Fiber, 20Km, DIN-Rail, DC10-58V, -40-85° C Operating Temperature

**Fiber Connector:** SC/ST/FC/LC(SFP Slot), Single Mode/Multimode, Dual Fiber/Single Fiber, 550m/2Km/20Km/40Km/60Km/80Km/100Km/120Km is Optional.

**Power Supply:** DC24V DIN-Rail Power Supply or Power Adapter is Optional.

## JHA-IF05M Series

5-port Unmanaged Industrial Ethernet Switch, with 5 10/100Base-T(X) Ethernet Port

### Features



- Support 5 10/100Base-T(X) Ethernet port.
- Support IEEE802.3, IEEE802.3u, IEEE802.3x.
- Plug-and-play, 10/100Base-T(X), full/half duplex, MDI/MDI-X auto-adaptation.
- Industrial chip design, 15kV ESD protection, 8kV surge protection.
- DC10-58V redundancy power, reverse polarity protection.
- Industrial grade 4 design, -40-85° C operating temperature.
- IP40 rated aluminum alloy housing, DIN-Rail mounted.

### Introduction

JHA-IF05M is a plug-and-play unmanaged industrial Ethernet switch, which can provide economical solution for your Ethernet. Its dust-proof fully sealed structure(IP40 protection grade), over-current, over-voltage and EMC protected, redundant double power input as well as built-in intelligent alarm design can help system main tenancy personnel monitor the network operation, which can work reliably in harsh and dangerous environment.

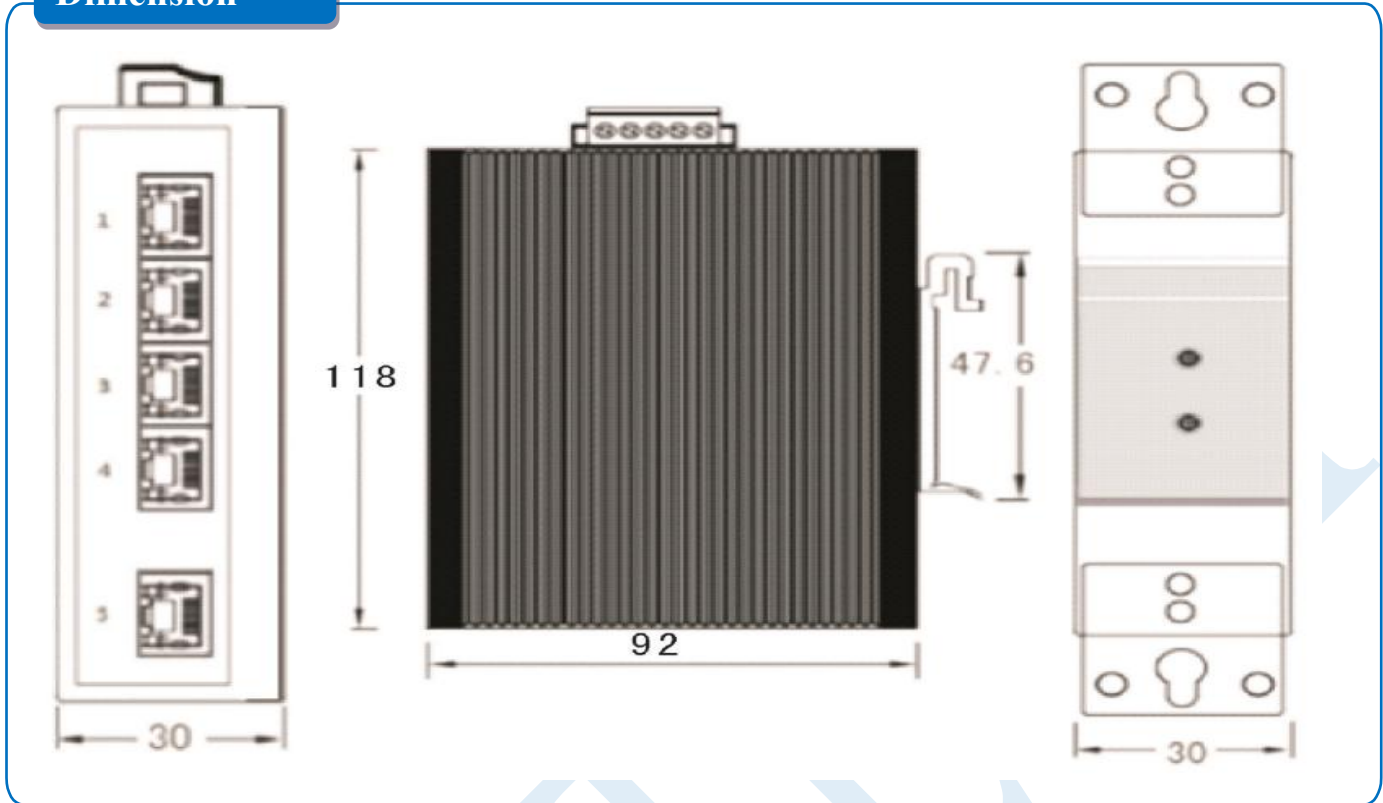
JHA-IF05M support 5 10/100Base-T(X) Ethernet port. It support CE, FCC, RoHS standard, rugged high-strength metal case, power input (DC10-58V). The switch support IEEE802.3, IEEE802.3u, IEEE802.3x with 10/100Base-T(X), full/half-duplex, and MDI/MDI-X auto-adaptation, the -40-85°C operating temperature can meet all kinds of industrial environment requirement, providing reliable and economic solution for your industrial Ethernet network.



## Specification

<b>Protocol Standard</b>	IEEE802.3, IEEE802.3u, IEEE802.3x
<b>Flow Control</b>	IEEE802.3x flow control, back press flow control
<b>Switching Performance</b>	Forwarding Rate: 0.744Mpps Transmission Mode: Store and Forward Packet Buffer Size: 512K System Exchange Bandwidth: 1Gbps MAC Table Size: 1K Delay Time: < 3μs
<b>Ethernet Port</b>	10/100Base-T(X) auto speed control, half/full duplex and MDI/MDI-X auto-adaptation
<b>LED Indicator</b>	Power Indicator: P1, P2 Port Indicator: LINK / ACT
<b>Power Supply</b>	Input Voltage: DC10-58V Connector: 4 bit 5.08mm removable terminal block Full Load: <3W Protection Mechanism: overload protection, reverse connection protection, redundancy protection
<b>Mechanical Structure</b>	Shell: IP40 protection, aluminum alloy housing Dimension: 118*92*30mm( L*W*H ) Weight: 400g Installation: DIN-Rail mounting, wall mounting
<b>Operating Environment</b>	Operating Temperature: -40-85°C Storage Temperature: -40-85°C Ambient Relative Humidity: 5%-95% (non-condensing)
<b>Industry Standards</b>	EMI:FCC Part 15 Subpart B Class A, EN 55022 Class A EMS:EN61000-4-2 (ESD), Level 4 at 15kV(Air), 8kV(Contact) EN61000-4-3 (R/S), Level 3 at 10V/m EN61000-4-4 (EFT), Level 4 at 4kV(Power Port), 2kV(Date Port) EN61000-4-5 (Surge), Level 4 at 4kV EN61000-4-6 (CS), Level 3 at 10V/m EN61000-4-8, Level 5 at 100A/m Shock:IEC 60068-2-27 Free Fall:IEC 60068-2-32 Vibration:IEC 60068-2-6
<b>Certification</b>	CE, FCC, RoHS
<b>MTBF</b>	>100,000 Hours
<b>Warranty</b>	5-years

**Dimension**



**Order Information**

Model No.	Description of Goods
JHA-IF05M	Unmanaged Industrial Ethernet Switch, 5 10/100Base-T(X), DIN-Rail, DC10-58V, -40-85° C Operating Temperature
<b>Power Supply:</b> DC24V DIN-Rail Power Supply or Power Adapter is Optional.	

## JHA-IFS11C Series

2-port Industrial Media Converter, with 1 100Base-X SFP Slot and 1 10/100Base-T(X) Ethernet Port

### Features



- Support 1 100Base-X SFP slot and 1 10/100Base-T(X) Ethernet port, 10/100/1000M Optional
- Designed to fit into space-limited camera enclosure, can also be used as Din-Rail mounted or panel mounted unit.
- Support Link Fault Pass Through(LFP), converter mode and switch mode.
- DC10-55V redundancy power.
- IP40 Rated Aluminum Alloy Housing, -40-85°C operating temperature.

### Introduction

JHA-IFS11C is a true mini, rugged industrial media converter, it is designed for where critical but space limited outdoor camera enclosure. It can be powered by wide range of VDC or external DC power adapter, power input (DC10-55V). With its multi-purpose design, it can also be used for Din-Rail or wall-mounted. It is an ideal unit for IP surveillance, traffic monitoring and security application in critical environment.

JHA-IFS11C supports 1-port 100Base-X SFP slot and 1 port 10/100Base-T(X). It supports CE, FCC, RoHS standard, rugged high-strength metal case. The switch support IEEE802.3, IEEE802.3u, IEEE802.3x with 10/100Base-T(X). The -40-85°C working temperature can meet all kinds of industrial environment requirement, providing reliable and economic solution for your industrial Ethernet network.

## Specification

<b>Protocol Standard</b>	IEEE802.3, IEEE802.3u, IEEE802.3x
<b>Flow Control</b>	IEEE802.3x flow control, back press flow control
<b>Exchange Attribute</b>	Forwarding Rate: 0.446Mpps Transmission Mode: Store and Forward Packet Buffer Size: 1M System Exchange Bandwidth: 0.6Gbps MAC Table Size: 1K Delay Time: < 3μs
<b>Ethernet Port</b>	10/100Base-T(X) auto speed control, Half/full duplex and MDI/MDI-X auto detect
<b>Fiber Port</b>	100Base-X SFP slot
<b>LED Indicator</b>	Power Indicator: PWR Fiber Port Indicator: SD Fiber Signal Indicator: LK / ACT
<b>DIP Switch</b>	1.Jumbo Packet 2.Link Fault Pass Through(LFP)
<b>Power Supply</b>	Input Voltage: DC5-60V and AC18-36V Connector: 3 bit 5.08mm Removable terminal block Full Load: <2W Protection Mechanism: Overload Protection / Reverse Connection Protection / Redundancy Protection
<b>Mechanical Structure</b>	Shell: IP40 protection, Aluminum-alloy shell Dimension: 59*36*49mm( L*W*H ) Weight: 150g Installation: DIN-rail mounting, wall mounting
<b>Working Environment</b>	Operating Temperature: -40 to 85°C Storage Temperature: -40 to 85°C Ambient Relative Humidity: 5% to 95% (non-condensing)
<b>Industry Standards</b>	EMI:FCC Part 15 Subpart B Class A, EN 55022 Class A EMS:EN61000-4-2 (ESD), Level 4 at 15kV(Air), 8kV(Contact) EN61000-4-3 (R/S), Level 3 at 10V/m EN61000-4-4 (EFT), Level 4 at 4kV(Power Port), 2kV(Date Port) EN61000-4-5 (Surge), Level 4 at 4kV EN61000-4-6 (CS), Level 3 at 10V/m EN61000-4-8, Level 5 at 100A/m Shock:IEC 60068-2-27 Free Fall:IEC 60068-2-32 Vibration:IEC 60068-2-6
<b>Certification</b>	CE, FCC, RoHS
<b>MTBF</b>	>100,000 Hours
<b>Warranty</b>	5-years

## Order Information

Model No.	Description of Goods
JHA-IFS11C	Industrial Media Converter, 1*100Base-X SFP Slot + 1*10/100Base-T(X) RJ45 Port, DIN-Rail, DC10-55V
JHA-IF11C	Industrial Media Converter, 1*100Base-FX Fiber Port + 1*10/100Base-T(X) RJ45 Port, SC, Multimode, Dual Fiber, 2Km, DIN-Rail, DC10-55V
JHA-IF11C-20	Industrial Media Converter, 1*100Base-FX Fiber Port + 1*10/100Base-T(X) RJ45 Port, SC, Single Mode, Dual Fiber, 20Km, DIN-Rail, DC10-55V
JHA-IF11CW-20	Industrial Media Converter, 1*100Base-FX Fiber Port + 1*10/100Base-T(X) RJ45 Port, SC, Single Mode, Single Fiber, 20Km, DIN-Rail, DC10-55V
JHA-IGS11C	Industrial Media Converter, 1*1000Base-X SFP Slot + 1*100/1000Base-T(X) RJ45 Port, DIN-Rail, DC10-55V
JHA-IG11C	Industrial Media Converter, 1*1000Base-FX Fiber Port + 1*100/1000Base-T(X) RJ45 Port, SC, Multimode, Dual Fiber, 2Km, DIN-Rail, DC10-55V
JHA-IG11C-20	Industrial Media Converter, 1*1000Base-FX Fiber Port + 1*100/1000Base-T(X) RJ45 Port, SC, Single Mode, Dual Fiber, 20Km, DIN-Rail, DC10-55V
JHA-IG11CW-20	Industrial Media Converter, 1*1000Base-FX Fiber Port + 1*100/1000Base-T(X) RJ45 Port, SC, Single Mode, Single Fiber, 20Km, DIN-Rail, DC10-55V

## JHA-IF05 Series

5-port Unmanaged Industrial Ethernet Switch, with 5 10/100Base-T(X) Ethernet Port

### Features



- Support 5 10/100Base-T(X) Ethernet port.
- Support IEEE802.3, IEEE802.3u, IEEE802.3x.
- Plug-and-play, 10/100Base-T(X), full/half duplex, MDI/MDI-X auto-adaptation.
- Industrial chip design, 15kV ESD protection, 8kV surge protection.
- DC10-58V redundancy power, reverse polarity protection.
- Industrial grade 4 design, -40-85° C operating temperature.
- IP40 rated aluminum alloy housing, DIN-Rail mounted.

### Introduction

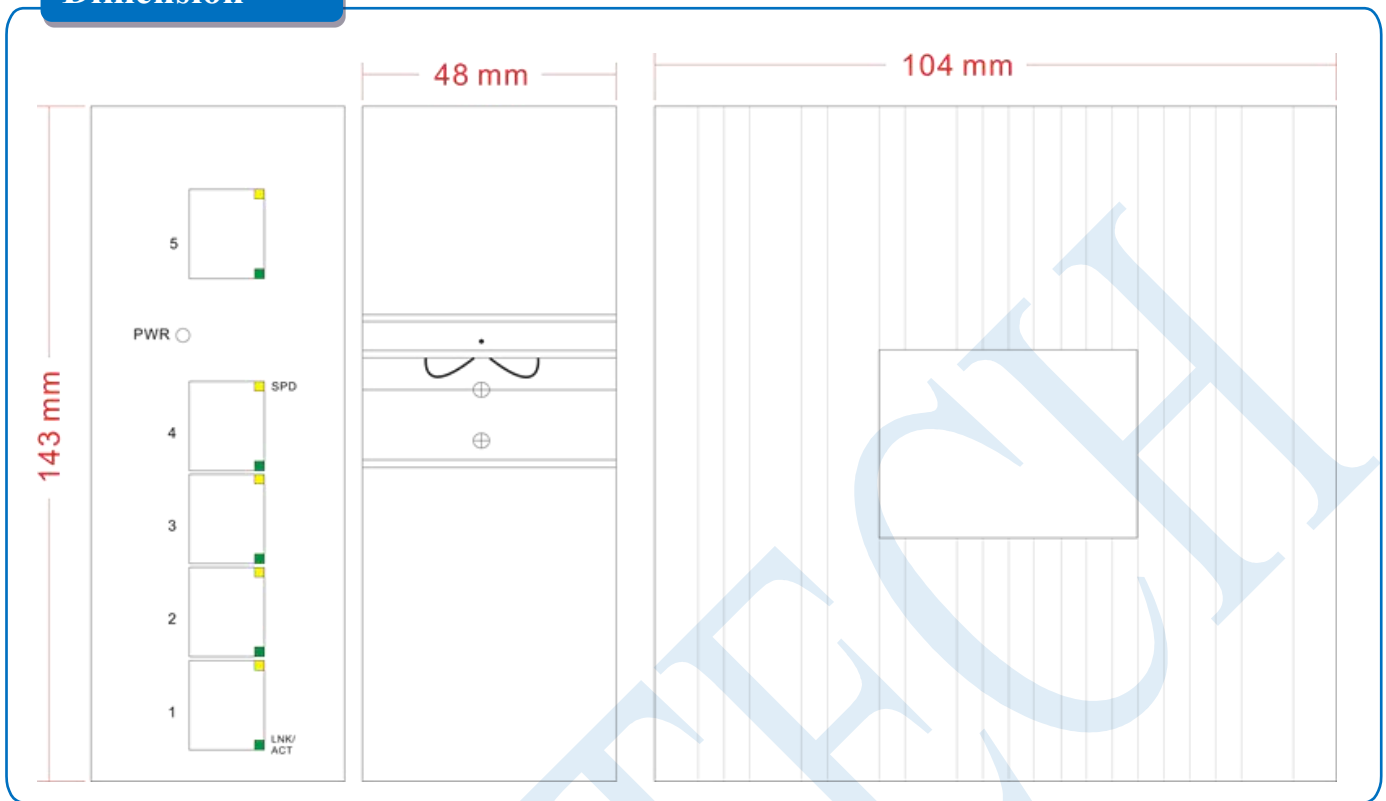
JHA-IF05 is a plug-and-play unmanaged industrial Ethernet switch, which can provide economical solution for your Ethernet. Its dust-proof fully sealed structure(IP40 protection grade), over-current, over-voltage and EMC protected, redundant double power input as well as built-in intelligent alarm design can help system main tenancy personnel monitor the network operation, which can work reliably in harsh and dangerous environment.

JHA-IF05 support 5 10/100Base-T(X) Ethernet port. It support CE, FCC, RoHS standard, rugged high-strength metal case, power input (DC10-58V). The switch support IEEE802.3, IEEE802.3u, IEEE802.3x with 10/100Base-T(X), full/half-duplex, and MDI/MDI-X auto-adaptation, the -40-85° C operating temperature can meet all kinds of industrial environment requirement, providing reliable and economic solution for your industrial Ethernet network.

## Specification

<b>Protocol Standard</b>	IEEE802.3, IEEE802.3u, IEEE802.3x
<b>Flow Control</b>	IEEE802.3x flow control, back press flow control
<b>Switching Performance</b>	Forwarding Rate: 1.19Mpps Transmission Mode: Store and Forward Packet Buffer Size: 512K System Exchange Bandwidth: 1.6Gbps MAC Table Size: 1K Delay Time: < 3μs
<b>Ethernet Port</b>	10/100Base-T(X) auto speed control, full/half duplex and MDI/MDI-X auto-adaptation
<b>LED Indicator</b>	Power Indicator: P1, P2 Port Indicator: LINK / ACT
<b>Power Supply</b>	Input Voltage: DC10-58V Connector: 6 bit 5.08mm removable terminal block Full Load: <3W Protection Mechanism: overload protection, reverse connection protection, redundancy protection
<b>Mechanical Structure</b>	Shell: IP40 protection, aluminum alloy shell Dimension: 143*104*48mm( L*W*H ) Weight: 500g Installation: DIN-Rail mounting, wall mounting
<b>Operating Environment</b>	Operating Temperature: -40-85°C Storage Temperature: -40-85°C Ambient Relative Humidity: 5%-95% (non-condensing)
<b>Industry Standards</b>	EMI:FCC Part 15 Subpart B Class A, EN 55022 Class A EMS:EN61000-4-2 (ESD), Level 4 at 15kV(Air), 8kV(Contact) EN61000-4-3 (R/S), Level 3 at 10V/m EN61000-4-4 (EFT), Level 4 at 4kV(Power Port), 2kV(Date Port) EN61000-4-5 (Surge), Level 4 at 4kV EN61000-4-6 (CS), Level 3 at 10V/m EN61000-4-8, Level 5 at 100A/m Shock:IEC 60068-2-27 Free Fall:IEC 60068-2-32 Vibration:IEC 60068-2-6
<b>Certification</b>	CE, FCC, RoHS
<b>MTBF</b>	>100,000 Hours
<b>Warranty</b>	5-years

**Dimension**



**Order Information**

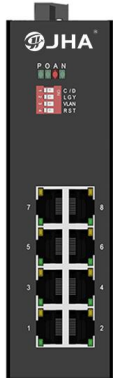
Model No.	Description of Goods
JHA-IF05	Unmanaged Industrial Ethernet Switch, 5 10/100Base-T(X), DIN-Rail, DC10-58V, -40-85° C Operating Temperature
<b>Power Supply:</b> DC24V DIN-Rail Power Supply or Power Adapter is Optional.	



## JHA-IF08 Series

8-port Unmanaged Industrial Ethernet Switch, with 8 10/100Base-T(X) Ethernet Port

### Features



- Support 8 10/100Base-T(X) Ethernet port.
- Support IEEE802.3, IEEE802.3u, IEEE802.3x.
- Plug-and-play, 10/100Base-T(X), full/half duplex, MDI/MDI-X auto-adaptation.
- Industrial chip design, 15kV ESD protection, 8kV surge protection.
- DC10-58V redundancy power, reverse polarity protection.
- Industrial grade 4 design, -40-85° C operating temperature.
- IP40 rated aluminum alloy housing, DIN-Rail mounted.

### Introduction

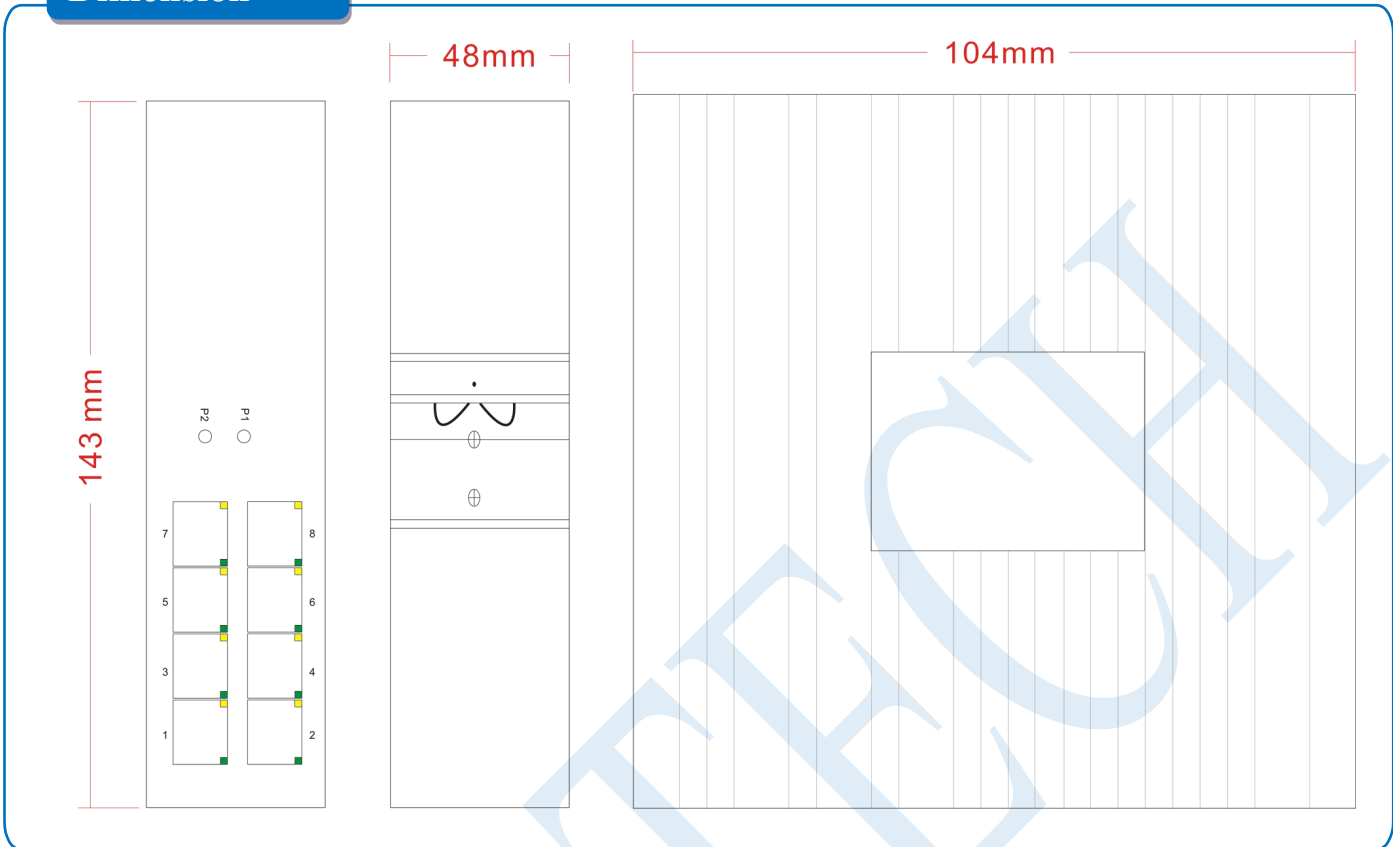
JHA-IF08 is a plug-and-play unmanaged industrial Ethernet switch, which can provide economical solution for your Ethernet. Its dust-proof fully sealed structure(IP40 protection grade), over-current, over-voltage and EMC protected, redundant double power input as well as built-in intelligent alarm design can help system main tenancy personnel monitor the network operation, which can work reliably in harsh and dangerous environment.

JHA-IF08 support 8 10/100Base-T(X) Ethernet port. It support CE, FCC, RoHS standard, rugged high-strength metal case, power input (DC10-58V). The switch support IEEE802.3, IEEE802.3u, IEEE802.3x with 10/100Base-T(X), full/half-duplex, and MDI/MDI-X auto-adaptation, the -40-85°C operating temperature can meet all kinds of industrial environment requirement, providing reliable and economic solution for your industrial Ethernet network.

## Specification

<b>Protocol Standard</b>	IEEE802.3, IEEE802.3u, IEEE802.3x
<b>Flow Control</b>	IEEE802.3x flow control, back press flow control
<b>Switching Performance</b>	Forwarding Rate: 1.19Mpps Transmission Mode: Store and Forward Packet Buffer Size: 512K Backplane Bandwidth: 1.6Gbps MAC Table Size: 1K Delay Time: < 3μs
<b>Ethernet Port</b>	10/100Base-T(X) auto speed control, full/half duplex and MDI/MDI-X auto-adaptation
<b>LED Indicator</b>	Power Indicator: P1, P2 Port Indicator: LINK / ACT
<b>Power Supply</b>	Input Voltage: DC10-58V Connector: 6 bit 5.08mm removable terminal block Full Load: <3W Protection Mechanism: overload protection, reverse connection protection, redundancy protection
<b>Mechanical Structure</b>	Shell: IP40 protection, aluminum alloy housing Dimension: 143*104*48mm( L*W*H ) Weight: 550g Installation: DIN-Rail mounting, wall mounting
<b>Operating Environment</b>	Operating Temperature: -40-85°C Storage Temperature: -40-85°C Ambient Relative Humidity: 5%-95% (non-condensing)
<b>Industry Standards</b>	EMI:FCC Part 15 Subpart B Class A, EN 55022 Class A EMS:EN61000-4-2 (ESD), Level 4 at 15kV(Air), 8kV(Contact) EN61000-4-3 (R/S), Level 3 at 10V/m EN61000-4-4 (EFT), Level 4 at 4kV(Power Port), 2kV(Date Port) EN61000-4-5 (Surge), Level 4 at 4kV EN61000-4-6 (CS), Level 3 at 10V/m EN61000-4-8, Level 5 at 100A/m Shock:IEC 60068-2-27 Free Fall:IEC 60068-2-32 Vibration:IEC 60068-2-6
<b>Certification</b>	CE, FCC, RoHS
<b>MTBF</b>	>100,000 Hours
<b>Warranty</b>	5-years

**Dimension**



**Order Information**

Model No.	Description of Goods
JHA-IF08	Unmanaged Industrial Ethernet Switch, 8 10/100Base-T(X), DIN-Rail, DC10-58V, -40-85° C Operating Temperature

**Power Supply:** DC24V DIN-Rail Power Supply or Power Adapter is Optional.

## JHA-IF11 Series

2-port Unmanaged Industrial Ethernet Switch, with 1 100Base-FX Fiber Port and 1 10/100Base-T(X) Ethernet Port

### Features



- Support 1 100Base-FX fiber port and 1 10/100Base-T(X) Ethernet port.
- Support IEEE802.3, IEEE802.3u, IEEE802.3x.
- Plug-and-play, 10/100Base-T(X), full/half duplex, MDI/MDI-X auto-adaptation.
- Industrial chip design, 15kV ESD protection, 8kV surge protection.
- DC10-58V redundancy power, reverse polarity protection.
- Industrial grade 4 design, -40-85° C operating temperature.
- IP40 rated aluminum alloy housing, DIN-Rail mounted.

### Introduction

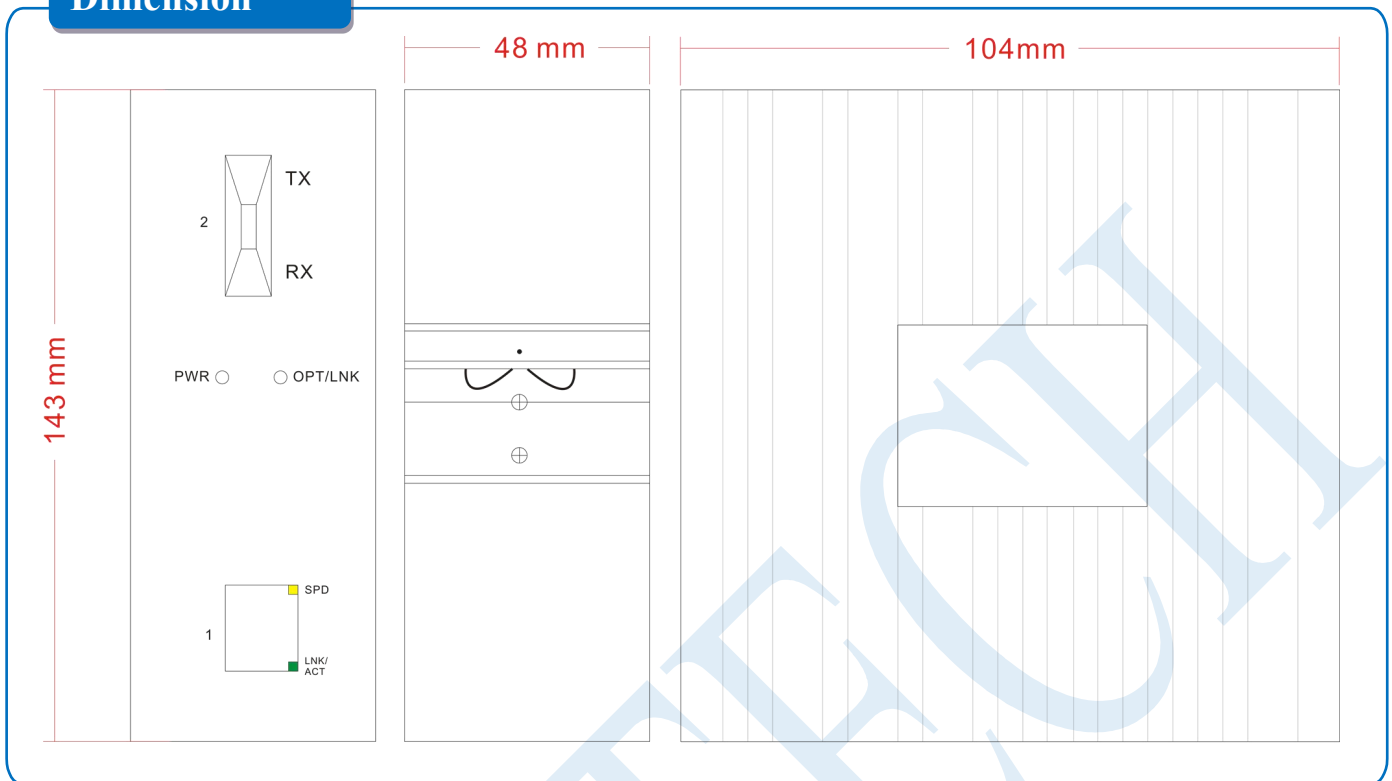
JHA-IF11 is a plug-and-play unmanaged industrial Ethernet switch, which can provide economical solution for your Ethernet. Its dust-proof fully sealed structure(IP40 protection grade), over-current, over-voltage and EMC protected, redundant double power input as well as built-in intelligent alarm design can help system main tenancy personnel monitor the network operation, which can work reliably in harsh and dangerous environment.

JHA-IF11 support 1 100Base-FX fiber port and 1 10/100Base-T(X) Ethernet port. It support CE, FCC, RoHS standard, rugged high-strength metal case, power input (DC10-58V). The switch support IEEE802.3, IEEE802.3u, IEEE802.3x with 10/100Base-T(X), full/half-duplex, and MDI/MDI-X auto-adaptation, the -40-85 °C operating temperature can meet all kinds of industrial environment requirement, providing reliable and economic solution for your industrial Ethernet network.

## Specification

<b>Protocol Standard</b>	IEEE802.3, IEEE802.3u, IEEE802.3x
<b>Flow Control</b>	IEEE802.3x flow control, back press flow control
<b>Switching Performance</b>	Forwarding Rate: 0.744Mpps Transmission Mode: Store and Forward Packet Buffer Size: 512K Backplane Bandwidth: 1Gbps MAC Table Size: 1K Delay Time: < 3μs
<b>Ethernet Port</b>	10/100Base-T(X) auto speed control, full/half duplex and MDI/MDI-X auto-adaptation
<b>Fiber Port</b>	100Base-FX fiber port
<b>LED Indicator</b>	Power Indicator: PWR Port Indicator: LINK / ACT
<b>Power Supply</b>	Input Voltage: DC10-58V Connector: 6 bit 5.08mm removable terminal block Full Load: <3W Protection Mechanism: overload protection, reverse connection protection, redundancy protection
<b>Mechanical Structure</b>	Shell: IP40 protection, aluminum alloy housing Dimension: 143*104*48mm( L*W*H ) Weight: 500g Installation: DIN-Rail mounting, wall mounting
<b>Operating Environment</b>	Operating Temperature: -40-85°C Storage Temperature: -40-85°C Ambient Relative Humidity: 5%-95% (non-condensing)
<b>Industry Standards</b>	EMI:FCC Part 15 Subpart B Class A, EN 55022 Class A EMS:EN61000-4-2 (ESD), Level 4 at 15kV(Air), 8kV(Contact) EN61000-4-3 (R/S), Level 3 at 10V/m EN61000-4-4 (EFT), Level 4 at 4kV(Power Port), 2kV(Date Port) EN61000-4-5 (Surge), Level 4 at 4kV EN61000-4-6 (CS), Level 3 at 10V/m EN61000-4-8, Level 5 at 100A/m Shock:IEC 60068-2-27 Free Fall:IEC 60068-2-32 Vibration:IEC 60068-2-6
<b>Certification</b>	CE, FCC, RoHS
<b>MTBF</b>	>100,000 Hours
<b>Warranty</b>	5-years

### Dimension



### Order Information

Model No.	Description of Goods
JHA-IF11	Unmanaged Industrial Ethernet Switch, 1 100Base-FX and 1 10/100Base-T(X), SC Connector, Multimode, Dual Fiber, 2Km, DIN-Rail, DC10-58V, -40-85° C Operating Temperature
JHA-IF11-20	Unmanaged Industrial Ethernet Switch, 1 100Base-FX and 1 10/100Base-T(X), SC Connector, Single Mode, Dual Fiber, 20Km, DIN-Rail, DC10-58V, -40-85° C Operating Temperature
JHA-IF11W-20	Unmanaged Industrial Ethernet Switch, 1 100Base-FX and 1 10/100Base-T(X), SC Connector, Single Mode, Single Fiber, 20Km, DIN-Rail, DC10-58V, -40-85° C Operating Temperature
JHA-IFS11	Unmanaged Industrial Ethernet Switch, 1 100Base-X SFP Slot and 1 10/100Base-T(X), DIN-Rail, DC10-58V, -40-85° C Operating Temperature

**Fiber Connector:** SC/ST/FC/LC(SFP Slot), Single Mode/Multimode, Dual Fiber/Single Fiber, 2Km/20Km/40Km/60Km/80Km/100Km/120Km is Optional.

**Power Supply:** DC24V DIN-Rail Power Supply or Power Adapter is Optional.

## JHA-IF12 Series

3-port Unmanaged Industrial Ethernet Switch, with 1 100Base-FX Fiber Port and 2 10/100Base-T(X) Ethernet Port

### Features



- Support 1 100Base-FX fiber port and 2 10/100Base-T(X) Ethernet port.
- Support IEEE802.3, IEEE802.3u, IEEE802.3x.
- Plug-and-play, 10/100Base-T(X), full/half duplex, MDI/MDI-X auto-adaptation.
- Industrial chip design, 15kV ESD protection, 8kV surge protection.
- DC10-58V redundancy power, reverse polarity protection.
- Industrial grade 4 design, -40-85° C operating temperature.
- IP40 rated aluminum alloy housing, DIN-Rail mounted.

### Introduction

JHA-IF12 is a plug-and-play unmanaged industrial Ethernet switch, which can provide economical solution for your Ethernet. Its dust-proof fully sealed structure(IP40 protection grade), over-current, over-voltage and EMC protected, redundant double power input as well as built-in intelligent alarm design can help system main tenancy personnel monitor the network operation, which can work reliably in harsh and dangerous environment.

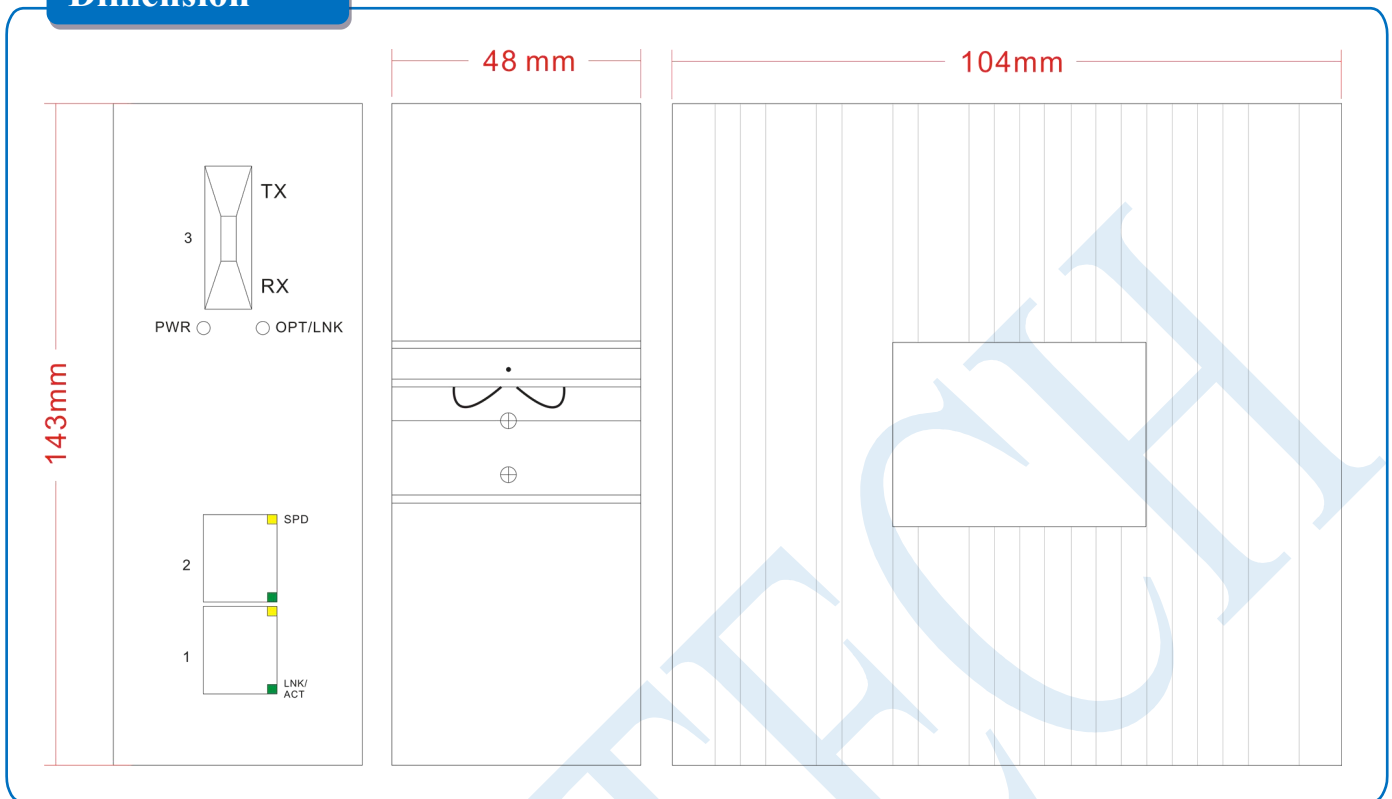
JHA-IF12 support 1 100Base-FX fiber port and 2 10/100Base-T(X) Ethernet port. It support CE, FCC, RoHS standard, rugged high-strength metal case, power input (DC10-58V). The switch support IEEE802.3, IEEE802.3u, IEEE802.3x with 10/100Base-T(X), full/half-duplex, and MDI/MDI-X auto-adaptation, the -40-85 °C operating temperature can meet all kinds of industrial environment requirement, providing reliable and economic solution for your industrial Ethernet network.

## Specification

<b>Protocol Standard</b>	IEEE802.3, IEEE802.3u, IEEE802.3x
<b>Flow Control</b>	IEEE802.3x flow control, back press flow control
<b>Switching Performance</b>	Forwarding Rate: 0.744Mpps Transmission Mode: Store and Forward Packet Buffer Size: 512K Backplane Bandwidth: 1Gbps MAC Table Size: 1K Delay Time: < 3μs
<b>Ethernet Port</b>	10/100Base-T(X) auto speed control, full/half duplex and MDI/MDI-X auto-adaptation
<b>Fiber Port</b>	100Base-FX fiber port
<b>LED Indicator</b>	Power Indicator: PWR Port Indicator: LINK / ACT
<b>Power Supply</b>	Input Voltage: DC10-58V Connector: 6 bit 5.08mm removable terminal block Full Load: <3W Protection Mechanism: overload protection, reverse connection protection, redundancy protection
<b>Mechanical Structure</b>	Shell: IP40 protection, aluminum alloy housing Dimension: 143*104*48mm( L*W*H ) Weight: 500g Installation: DIN-Rail mounting, wall mounting
<b>Operating Environment</b>	Operating Temperature: -40-85°C Storage Temperature: -40-85°C Ambient Relative Humidity: 5%-95% (non-condensing)
<b>Industry Standards</b>	EMI:FCC Part 15 Subpart B Class A, EN 55022 Class A EMS:EN61000-4-2 (ESD), Level 4 at 15kV(Air), 8kV(Contact) EN61000-4-3 (R/S), Level 3 at 10V/m EN61000-4-4 (EFT), Level 4 at 4kV(Power Port), 2kV(Date Port) EN61000-4-5 (Surge), Level 4 at 4kV EN61000-4-6 (CS), Level 3 at 10V/m EN61000-4-8, Level 5 at 100A/m Shock:IEC 60068-2-27 Free Fall:IEC 60068-2-32 Vibration:IEC 60068-2-6
<b>Certification</b>	CE, FCC, RoHS
<b>MTBF</b>	>100,000 Hours
<b>Warranty</b>	5-years



### Dimension



### Order Information

Model No.	Description of Goods
JHA-IF12	Unmanaged Industrial Ethernet Switch, 1 100Base-FX and 2 10/100Base-T(X), SC Connector, Multimode, Dual Fiber, 2Km, DIN-Rail, DC10-58V, -40-85° C Operating Temperature
JHA-IF12-20	Unmanaged Industrial Ethernet Switch, 1 100Base-FX and 2 10/100Base-T(X), SC Connector, Single Mode, Dual Fiber, 20Km, DIN-Rail, DC10-58V, -40-85° C Operating Temperature
JHA-IF12W-20	Unmanaged Industrial Ethernet Switch, 1 100Base-FX and 2 10/100Base-T(X), SC Connector, Single Mode, Single Fiber, 20Km, DIN-Rail, DC10-58V, -40-85° C Operating Temperature
JHA-IFS12	Unmanaged Industrial Ethernet Switch, 1 100Base-X SFP Slot and 2 10/100Base-T(X), DIN-Rail, DC10-58V, -40-85° C Operating Temperature

**Fiber Connector:** SC/ST/FC/LC(SFP Slot), Single Mode/Multimode, Dual Fiber/Single Fiber, 2Km/20Km/40Km/60Km/80Km/100Km/120Km is Optional.

**Power Supply:** DC24V DIN-Rail Power Supply or Power Adapter is Optional.

## JHA-IF14 Series

5-port Unmanaged Industrial Ethernet Switch, with 1 100Base-FX Fiber Port and 4 10/100Base-T(X) Ethernet Port

### Features



- Support 1 100Base-FX fiber port and 4 10/100Base-T(X) Ethernet port.
- Support IEEE802.3, IEEE802.3u, IEEE802.3x.
- Plug-and-play, 10/100Base-T(X), full/half duplex, MDI/MDI-X auto-adaptation.
- Industrial chip design, 15kV ESD protection, 8kV surge protection.
- DC10-58V redundancy power, reverse polarity protection.
- Industrial grade 4 design, -40-85° C operating temperature.
- IP40 rated aluminum alloy housing, DIN-Rail mounted.

### Introduction

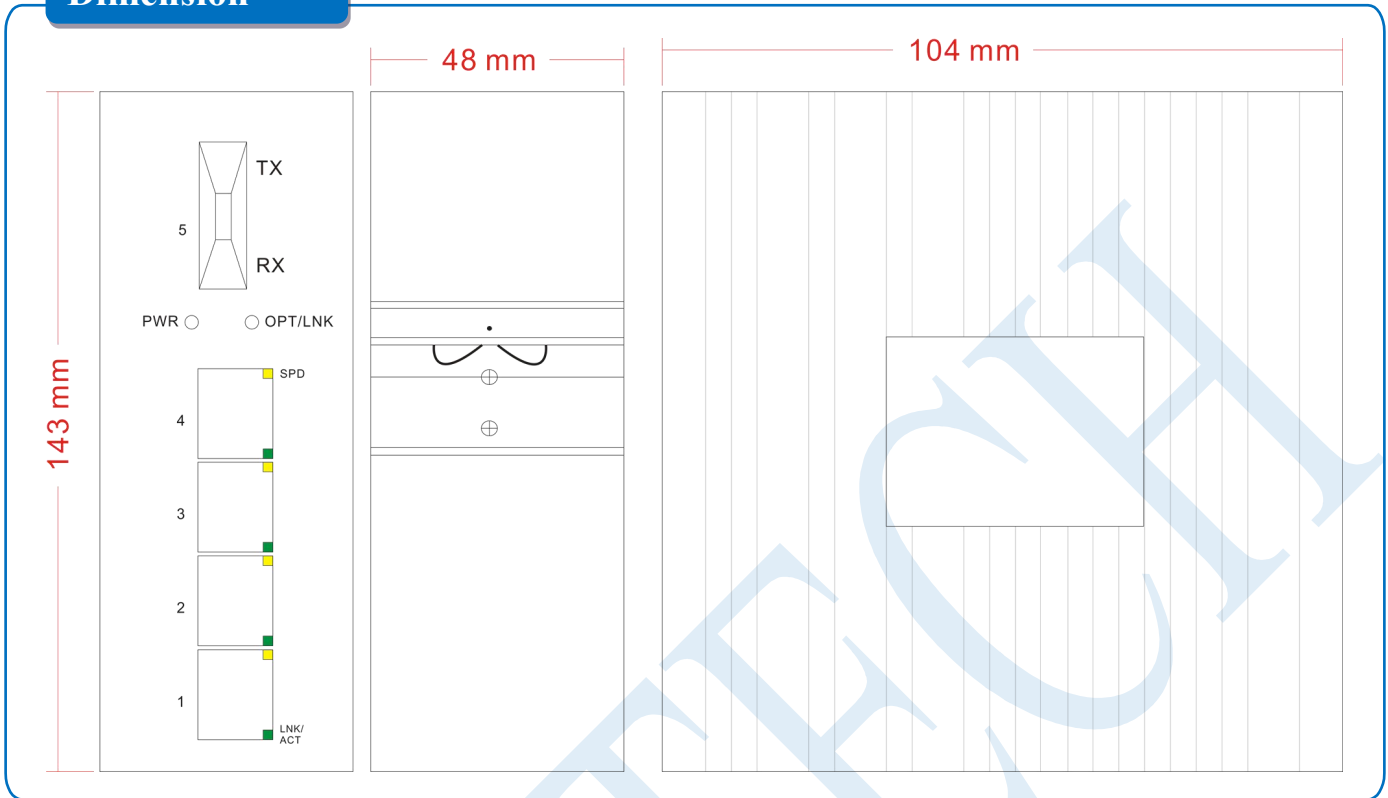
JHA-IF14 is a plug-and-play unmanaged industrial Ethernet switch, which can provide economical solution for your Ethernet. Its dust-proof fully sealed structure(IP40 protection grade), over-current, over-voltage and EMC protected, redundant double power input as well as built-in intelligent alarm design can help system main tenancy personnel monitor the network operation, which can work reliably in harsh and dangerous environment.

JHA-IF14 support 1 100Base-FX fiber port and 4 10/100Base-T(X) Ethernet port. It support CE, FCC, RoHS standard, rugged high-strength metal case, power input (DC10-58V). The switch support IEEE802.3, IEEE802.3u, IEEE802.3x with 10/100Base-T(X), full/half-duplex, and MDI/MDI-X auto-adaptation, the -40-85 °C operating temperature can meet all kinds of industrial environment requirement, providing reliable and economic solution for your industrial Ethernet network.

## Specification

<b>Protocol Standard</b>	IEEE802.3, IEEE802.3u, IEEE802.3x
<b>Flow Control</b>	IEEE802.3x flow control, back press flow control
<b>Switching Performance</b>	Forwarding Rate: 0.744Mpps Transmission Mode: Store and Forward Packet Buffer Size: 512K Backplane Bandwidth: 1Gbps MAC Table Size: 1K Delay Time: < 3μs
<b>Ethernet Port</b>	10/100Base-T(X) auto speed control, full/half duplex and MDI/MDI-X auto-adaptation
<b>Fiber Port</b>	100Base-FX fiber port
<b>LED Indicator</b>	Power Indicator: PWR Port Indicator: LINK / ACT
<b>Power Supply</b>	Input Voltage: DC10-58V Connector: 6 bit 5.08mm removable terminal block Full Load: <3W Protection Mechanism: overload protection, reverse connection protection, redundancy protection
<b>Mechanical Structure</b>	Shell: IP40 protection, aluminum alloy housing Dimension: 143*104*48mm( L*W*H ) Weight: 500g Installation: DIN-Rail mounting, wall mounting
<b>Operating Environment</b>	Operating Temperature: -40-85°C Storage Temperature: -40-85°C Ambient Relative Humidity: 5%-95% (non-condensing)
<b>Industry Standards</b>	EMI:FCC Part 15 Subpart B Class A, EN 55022 Class A EMS:EN61000-4-2 (ESD), Level 4 at 15kV(Air), 8kV(Contact) EN61000-4-3 (R/S), Level 3 at 10V/m EN61000-4-4 (EFT), Level 4 at 4kV(Power Port), 2kV(Date Port) EN61000-4-5 (Surge), Level 4 at 4kV EN61000-4-6 (CS), Level 3 at 10V/m EN61000-4-8, Level 5 at 100A/m Shock:IEC 60068-2-27 Free Fall:IEC 60068-2-32 Vibration:IEC 60068-2-6
<b>Certification</b>	CE, FCC, RoHS
<b>MTBF</b>	>100,000 Hours
<b>Warranty</b>	5-years

### Dimension



### Order Information

Model No.	Description of Goods
JHA-IF14	Unmanaged Industrial Ethernet Switch, 1 100Base-FX and 4 10/100Base-T(X), SC Connector, Multimode, Dual Fiber, 2Km, DIN-Rail, DC10-58V, -40-85° C Operating Temperature
JHA-IF14-20	Unmanaged Industrial Ethernet Switch, 1 100Base-FX and 4 10/100Base-T(X), SC Connector, Single Mode, Dual Fiber, 20Km, DIN-Rail, DC10-58V, -40-85° C Operating Temperature
JHA-IF14W-20	Unmanaged Industrial Ethernet Switch, 1 100Base-FX and 4 10/100Base-T(X), SC Connector, Single Mode, Single Fiber, 20Km, DIN-Rail, DC10-58V, -40-85° C Operating Temperature
JHA-IFS14	Unmanaged Industrial Ethernet Switch, 1 100Base-X SFP Slot and 4 10/100Base-T(X), DIN-Rail, DC10-58V, -40-85° C Operating Temperature

**Fiber Connector:** SC/ST/FC/LC(SFP Slot), Single Mode/Multimode, Dual Fiber/Single Fiber, 2Km/20Km/40Km/60Km/80Km/100Km/120Km is Optional.

**Power Supply:** DC24V DIN-Rail Power Supply or Power Adapter is Optional.

## JHA-IF26 Series

8-port Unmanaged Industrial Ethernet Switch, with 2 100Base-FX Fiber Port and 6 10/100Base-T(X) Ethernet Port

### Features



- Support 2 100Base-FX fiber port and 6 10/100Base-T(X) Ethernet port.
- Support IEEE802.3, IEEE802.3u, IEEE802.3x.
- Plug-and-play, 10/100Base-T(X), full/half duplex, MDI/MDI-X auto-adaptation.
- Industrial chip design, 15kV ESD protection, 8kV surge protection.
- DC10-58V redundancy power, reverse polarity protection.
- Industrial grade 4 design, -40-85° C operating temperature.
- IP40 rated aluminum alloy housing, DIN-Rail mounted.

### Introduction

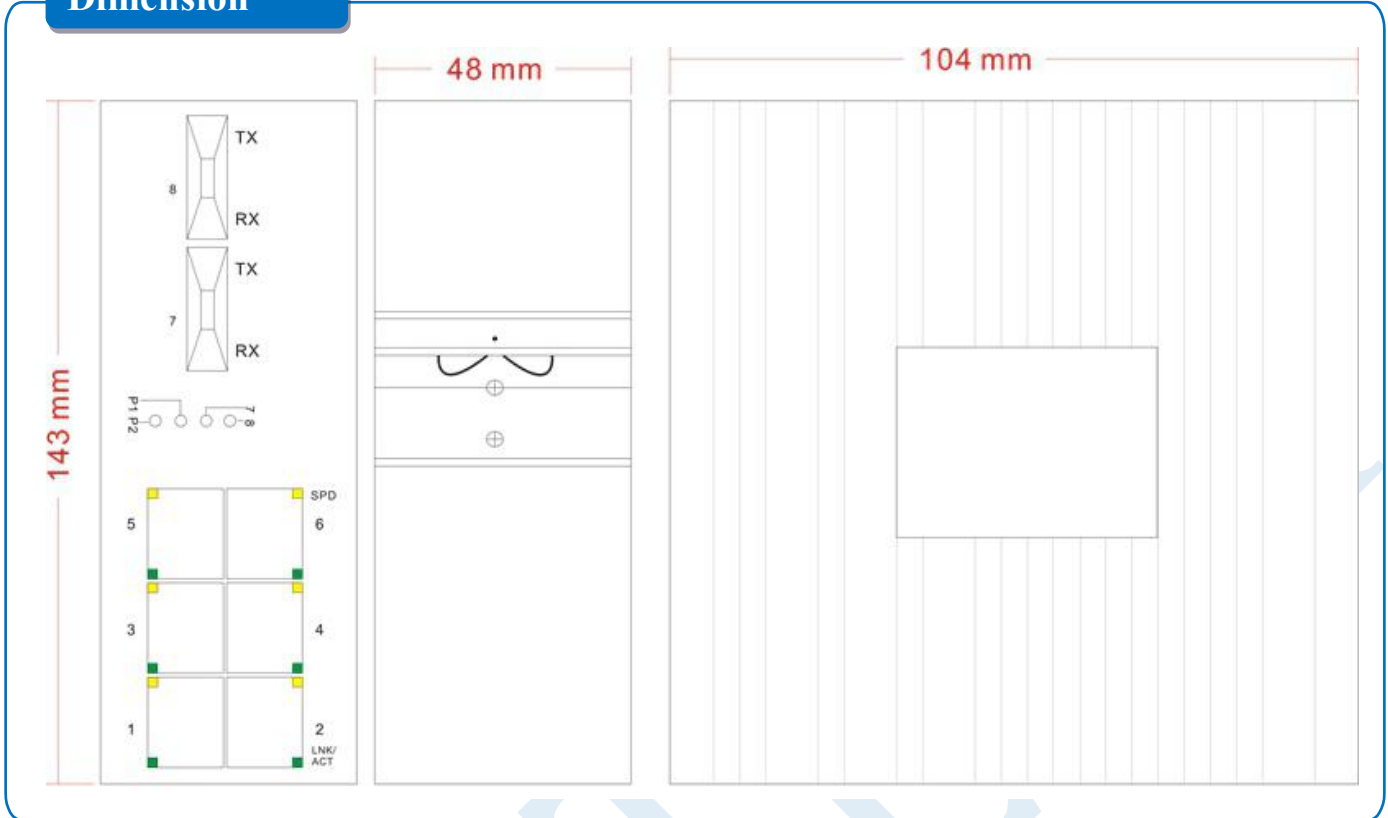
JHA-IF26 is a plug-and-play unmanaged industrial Ethernet switch, which can provide economical solution for your Ethernet. Its dust-proof fully sealed structure(IP40 protection grade), over-current, over-voltage and EMC protected, redundant double power input as well as built-in intelligent alarm design can help system main tenancy personnel monitor the network operation, which can work reliably in harsh and dangerous environment.

JHA-IF26 support 2 100Base-FX fiber port and 6 10/100Base-T(X) Ethernet port. It support CE, FCC, RoHS standard, rugged high-strength metal case, power input (DC10-58V). The switch support IEEE802.3, IEEE802.3u, IEEE802.3x with 10/100Base-T(X), full/half-duplex, and MDI/MDI-X auto-adaptation, the -40-85 °C operating temperature can meet all kinds of industrial environment requirement, providing reliable and economic solution for your industrial Ethernet network.

## Specification

<b>Protocol Standard</b>	IEEE802.3, IEEE802.3u, IEEE802.3x
<b>Flow Control</b>	IEEE802.3x flow control, back press flow control
<b>Switching Performance</b>	Forwarding Rate: 1.19Mpps Transmission Mode: Store and Forward Packet Buffer Size: 512K Backplane Bandwidth: 1.6Gbps MAC Table Size: 1K Delay Time: < 3μs
<b>Ethernet Port</b>	10/100Base-T(X) auto speed control, full/half duplex and MDI/MDI-X auto-adaptation
<b>Fiber Port</b>	100Base-FX fiber port
<b>LED Indicator</b>	Power Indicator: PWR Port Indicator: LINK / ACT
<b>Power Supply</b>	Input Voltage: DC10-58V Connector: 6 bit 5.08mm removable terminal block Full Load: <3W Protection Mechanism: overload protection, reverse connection protection, redundancy protection
<b>Mechanical Structure</b>	Shell: IP40 protection, aluminum alloy housing Dimension: 143*104*48mm( L*W*H ) Weight: 550g Installation: DIN-Rail mounting, wall mounting
<b>Operating Environment</b>	Operating Temperature: -40-85°C Storage Temperature: -40-85°C Ambient Relative Humidity: 5%-95% (non-condensing)
<b>Industry Standards</b>	EMI:FCC Part 15 Subpart B Class A, EN 55022 Class A EMS:EN61000-4-2 (ESD), Level 4 at 15kV(Air), 8kV(Contact) EN61000-4-3 (R/S), Level 3 at 10V/m EN61000-4-4 (EFT), Level 4 at 4kV(Power Port), 2kV(Date Port) EN61000-4-5 (Surge), Level 4 at 4kV EN61000-4-6 (CS), Level 3 at 10V/m EN61000-4-8, Level 5 at 100A/m Shock:IEC 60068-2-27 Free Fall:IEC 60068-2-32 Vibration:IEC 60068-2-6
<b>Certification</b>	CE, FCC, RoHS
<b>MTBF</b>	>100,000 Hours
<b>Warranty</b>	5-years

**Dimension**



**Order Information**

Model No.	Description of Goods
JHA-IF26	Unmanaged Industrial Ethernet Switch, 2 100Base-FX and 6 10/100Base-T(X), SC Connector, Multimode, Dual Fiber, 2Km, DIN-Rail, DC10-58V, -40-85° C Operating Temperature
JHA-IF26-20	Unmanaged Industrial Ethernet Switch, 2 100Base-FX and 6 10/100Base-T(X), SC Connector, Single Mode, Dual Fiber, 20Km, DIN-Rail, DC10-58V, -40-85° C Operating Temperature
JHA-IF26W-20	Unmanaged Industrial Ethernet Switch, 2 100Base-FX and 6 10/100Base-T(X), SC Connector, Single Mode, Single Fiber, 20Km, DIN-Rail, DC10-58V, -40-85° C Operating Temperature
JHA-IFS26	Unmanaged Industrial Ethernet Switch, 2 100Base-X SFP Slot and 6 10/100Base-T(X), DIN-Rail, DC10-58V, -40-85° C Operating Temperature

**Fiber Connector:** SC/ST/FC/LC(SFP Slot), Single Mode/Multimode, Dual Fiber/Single Fiber, 2Km/20Km/40Km/60Km/80Km/100Km/120Km is Optional.

**Power Supply:** DC24V DIN-Rail Power Supply or Power Adapter is Optional.

## JHA-IG05 Series

5-port Unmanaged Industrial Ethernet Switch, with 5 10/100/1000Base-T(X)

Ethernet Port

### Features



- Support 5 10/100/1000Base-T(X) Ethernet port.
- Support IEEE802.3, IEEE802.3u, IEEE802.3x.
- Plug-and-play, 10/100/1000Base-T(X), full/half duplex, MDI/MDI-X auto-adaptation.
- Industrial chip design, 15kV ESD protection, 8kV surge protection.
- DC10-58V redundancy power, reverse polarity protection.
- Industrial grade 4 design, -40-85° C operating temperature.
- IP40 rated aluminum alloy housing, DIN-Rail mounted.

### Introduction

JHA-IG05 is a plug-and-play unmanaged industrial Ethernet switch, which can provide economical solution for your Ethernet. Its dust-proof fully sealed structure(IP40 protection grade), over-current, over-voltage and EMC protected, redundant double power input as well as built-in intelligent alarm design can help system main tenancy personnel monitor the network operation, which can work reliably in harsh and dangerous environment.

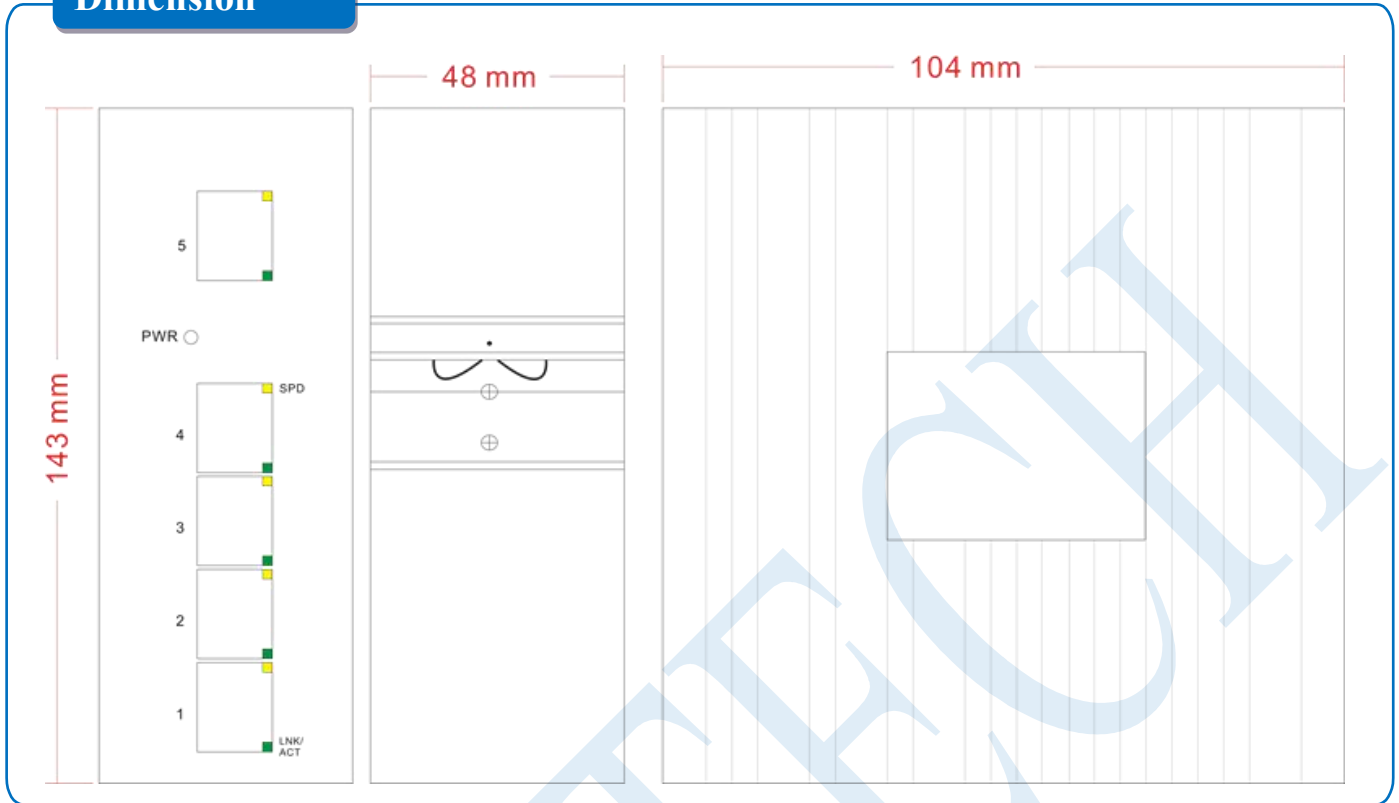
JHA-IG05 support 5 10/100/1000Base-T(X) Ethernet port. It support CE, FCC, RoHS standard, rugged high-strength metal case, power input (DC10-58V). The switch support IEEE802.3, IEEE802.3u, IEEE802.3x with 10/100/1000Base-T(X), full/half-duplex, and MDI/MDI-X auto-adaptation, the -40-85 °C operating temperature can meet all kinds of industrial environment requirement, providing reliable and economic solution for your industrial Ethernet network.



## Specification

<b>Protocol Standard</b>	IEEE802.3, IEEE802.3u, IEEE802.3x
<b>Flow Control</b>	IEEE802.3x flow control, back press flow control
<b>Switching Performance</b>	Forwarding Rate: 7.44Mpps Transmission Mode: Store and Forward Packet Buffer Size: 1M System Exchange Bandwidth: 10Gbps MAC Table Size: 8K Delay Time: < 4μs
<b>Ethernet Port</b>	10/100/1000Base-T(X) auto speed control, full/half duplex and MDI/MDI-X auto-adaptation
<b>LED Indicator</b>	Power Indicator: P1, P2 Port Indicator: LINK / ACT
<b>Power Supply</b>	Input Voltage: DC10-58V Connector: 6 bit 5.08mm removable terminal block Full Load: <4W Protection Mechanism: overload protection, reverse connection protection, redundancy protection
<b>Mechanical Structure</b>	Shell: IP40 protection, aluminum alloy housing Dimension: 143*104*48mm( L*W*H ) Weight: 500g Installation: DIN-Rail mounting, wall mounting
<b>Operating Environment</b>	Operating Temperature: -40-85°C Storage Temperature: -40-85°C Ambient Relative Humidity: 5%-95% (non-condensing)
<b>Industry Standards</b>	EMI:FCC Part 15 Subpart B Class A, EN 55022 Class A EMS:EN61000-4-2 (ESD), Level 4 at 15kV(Air), 8kV(Contact) EN61000-4-3 (R/S), Level 3 at 10V/m EN61000-4-4 (EFT), Level 4 at 4kV(Power Port), 2kV(Date Port) EN61000-4-5 (Surge), Level 4 at 4kV EN61000-4-6 (CS), Level 3 at 10V/m EN61000-4-8, Level 5 at 100A/m Shock:IEC 60068-2-27 Free Fall:IEC 60068-2-32 Vibration:IEC 60068-2-6
<b>Certification</b>	CE, FCC, RoHS
<b>MTBF</b>	>100,000 Hours
<b>Warranty</b>	5-years

**Dimension**



**Order Information**

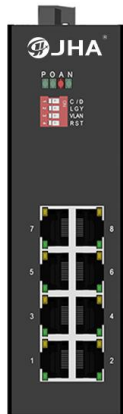
Model No.	Description of Goods
JHA-IG05	Unmanaged Industrial Ethernet Switch, 5 10/100/1000Base-T(X), DIN-Rail, DC10-58V, -40-85° C Operating Temperature
<b>Power Supply:</b> DC24V DIN-Rail Power Supply or Power Adapter is Optional.	

## JHA-IG08 Series

8-port Unmanaged Industrial Ethernet Switch, with 8 10/100/1000Base-T(X)

Ethernet Port

### Features



- Support 8 10/100/1000Base-T(X) Ethernet port.
- Support IEEE802.3, IEEE802.3u, IEEE802.3x.
- Plug-and-play, 10/100/1000Base-T(X), full/half duplex, MDI/MDI-X auto-adaptation.
- Industrial chip design, 15kV ESD protection, 8kV surge protection.
- DC10-58V redundancy power, reverse polarity protection.
- Industrial grade 4 design, -40-85° C operating temperature.
- IP40 rated aluminum alloy housing, DIN-Rail mounted.

### Introduction

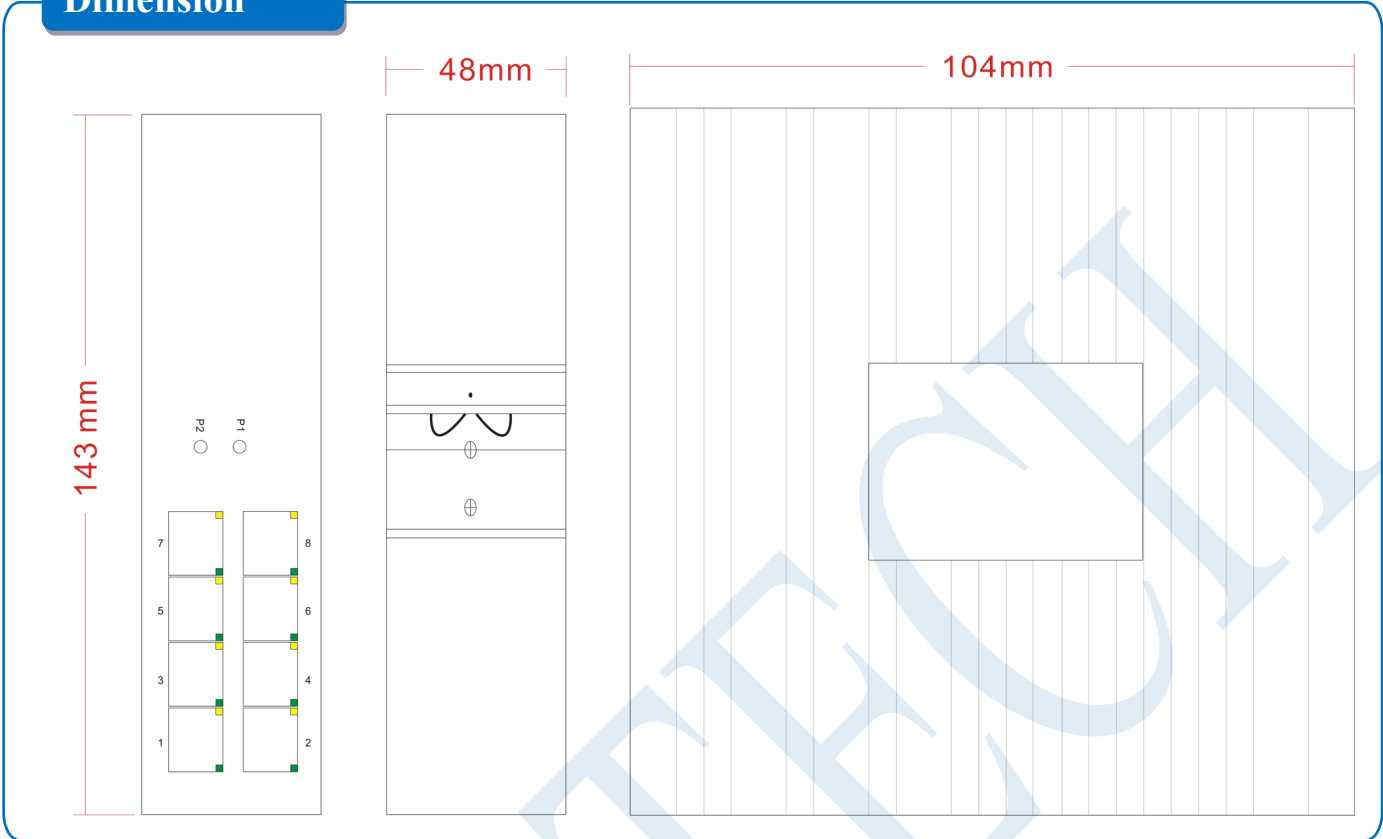
JHA-IG08 is a plug-and-play unmanaged industrial Ethernet switch, which can provide economical solution for your Ethernet. Its dust-proof fully sealed structure(IP40 protection grade), over-current, over-voltage and EMC protected, redundant double power input as well as built-in intelligent alarm design can help system main tenancy personnel monitor the network operation, which can work reliably in harsh and dangerous environment.

JHA-IG08 support 8 10/100/1000Base-T(X) Ethernet port. It support CE, FCC, RoHS standard, rugged high-strength metal case, power input (DC10-58V). The switch support IEEE802.3, IEEE802.3u, IEEE802.3x with 10/100/1000Base-T(X), full/half-duplex, and MDI/MDI-X auto-adaptation, the -40-85 °C operating temperature can meet all kinds of industrial environment requirement, providing reliable and economic solution for your industrial Ethernet network.

## Specification

<b>Protocol Standard</b>	IEEE802.3, IEEE802.3u, IEEE802.3x
<b>Flow Control</b>	IEEE802.3x flow control, back press flow control
<b>Switching Performance</b>	Forwarding Rate: 14.88Mpps Transmission Mode: Store and Forward Packet Buffer Size: 2M Backplane Bandwidth: 20Gbps MAC Table Size: 16K Delay Time: < 5 $\mu$ s
<b>Ethernet Port</b>	10/100/1000Base-T(X) auto speed control, full/half duplex and MDI/MDI-X auto-adaptation
<b>LED Indicator</b>	Power Indicator: P1, P2 Port Indicator: LINK / ACT
<b>Power Supply</b>	Input Voltage: DC10-58V Connector: 6 bit 5.08mm removable terminal block Full Load: <6W Protection Mechanism: overload protection, reverse connection protection, redundancy protection
<b>Mechanical Structure</b>	Shell: IP40 protection, aluminum alloy housing Dimension: 143*104*48mm( L*W*H ) Weight: 550g Installation: DIN-Rail mounting, wall mounting
<b>Operating Environment</b>	Operating Temperature: -40-85 $^{\circ}$ C Storage Temperature: -40-85 $^{\circ}$ C Ambient Relative Humidity: 5%-95% (non-condensing)
<b>Industry Standards</b>	EMI:FCC Part 15 Subpart B Class A, EN 55022 Class A EMS:EN61000-4-2 (ESD), Level 4 at 15kV(Air), 8kV(Contact) EN61000-4-3 (R/S), Level 3 at 10V/m EN61000-4-4 (EFT), Level 4 at 4kV(Power Port), 2kV(Date Port) EN61000-4-5 (Surge), Level 4 at 4kV EN61000-4-6 (CS), Level 3 at 10V/m EN61000-4-8, Level 5 at 100A/m Shock:IEC 60068-2-27 Free Fall:IEC 60068-2-32 Vibration:IEC 60068-2-6
<b>Certification</b>	CE, FCC, RoHS
<b>MTBF</b>	>100,000 Hours
<b>Warranty</b>	5-years

**Dimension**



**Order Information**

Model No.	Description of Goods
JHA-IG08	Unmanaged Industrial Ethernet Switch, 8 10/100/1000Base-T(X), DIN-Rail, DC10-58V, -40-85° C Operating Temperature

**Power Supply:** DC24V DIN-Rail Power Supply or Power Adapter is Optional.

## JHA-IGS11 Series

2-port Unmanaged Industrial Ethernet Switch, with 1 1000Base-X SFP Slot and 1 10/100/1000Base-T(X) Ethernet Port

### Features



- Support 1 1000Base-X SFP slot and 1 10/100/1000Base-T(X) Ethernet port.
- Support IEEE802.3, IEEE802.3u, IEEE802.3x.
- Plug-and-play, 10/100/1000Base-T(X), full/half duplex, MDI/MDI-X auto-adaptation.
- Industrial chip design, 15kV ESD protection, 8kV surge protection.
- DC10-58V redundancy power, reverse polarity protection.
- Industrial grade 4 design, -40-85° C operating temperature.
- IP40 rated aluminum alloy housing, DIN-Rail mounted.



### Introduction

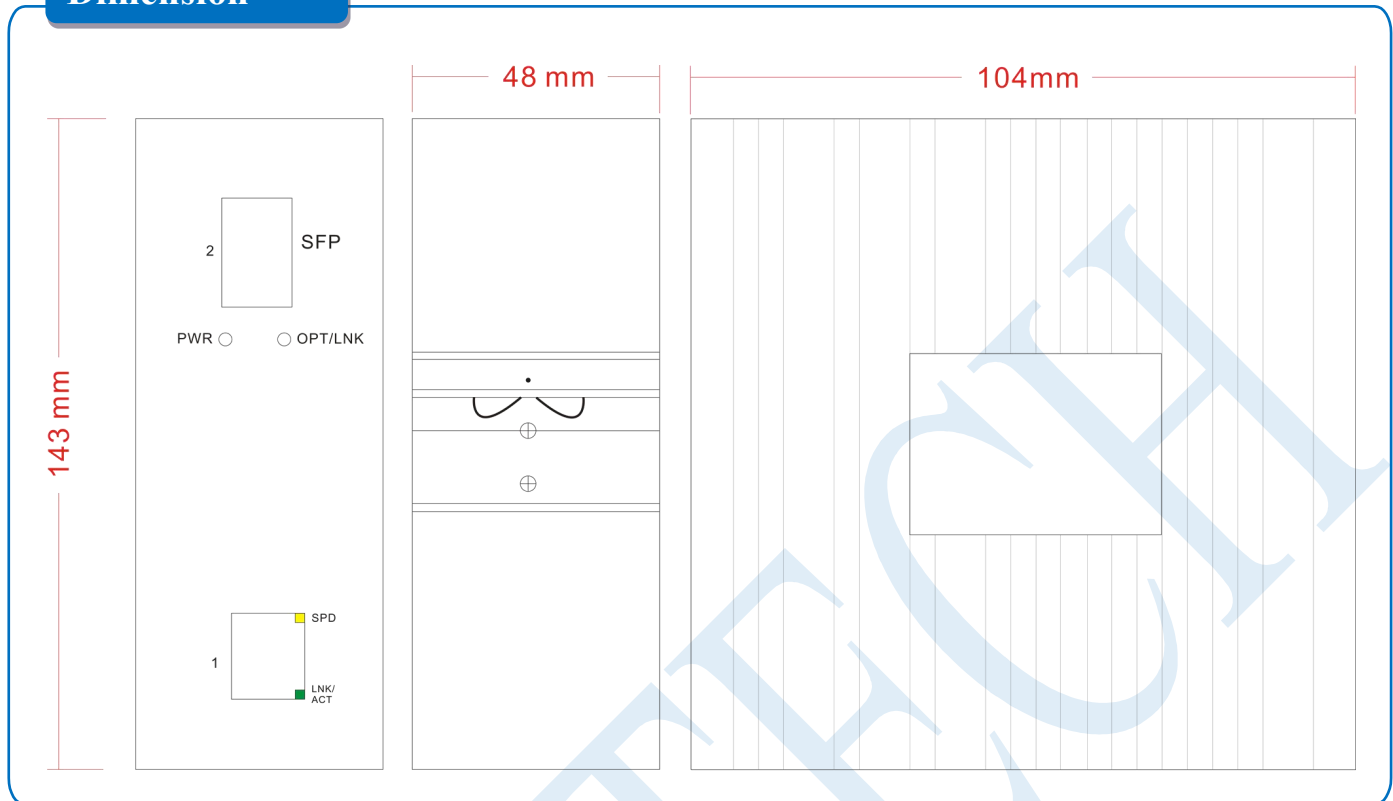
JHA-IGS11 is a plug-and-play unmanaged industrial Ethernet switch, which can provide an economical solution for your Ethernet. Its dust-proof fully sealed structure (IP40 protection grade), over-current, over-voltage and EMC protected, redundant double power input as well as built-in intelligent alarm design can help system maintenance personnel monitor the network operation, which can work reliably in harsh and dangerous environments.

JHA-IGS11 supports 1 1000Base-X SFP slot and 1 10/100/1000Base-T(X) Ethernet port. It supports CE, FCC, RoHS standards, rugged high-strength metal case, power input (DC10-58V). The switch supports IEEE802.3, IEEE802.3u, IEEE802.3x with 10/100/1000Base-T(X), full/half-duplex, and MDI/MDI-X auto-adaptation, the -40-85 °C operating temperature can meet all kinds of industrial environment requirements, providing a reliable and economic solution for your industrial Ethernet network.

## Specification

<b>Protocol Standard</b>	IEEE802.3, IEEE802.3u, IEEE802.3x
<b>Flow Control</b>	IEEE802.3x flow control, back press flow control
<b>Switching Performance</b>	Forwarding Rate: 7.44Mpps Transmission Mode: Store and Forward Packet Buffer Size: 1M Backplane Bandwidth: 10Gbps MAC Table Size: 8K Delay Time: < 4μs
<b>Ethernet Port</b>	10/100/1000Base-T(X) auto speed control, full/half duplex and MDI/MDI-X auto-adaptation
<b>Fiber Port</b>	1000Base-X SFP slot
<b>LED Indicator</b>	Power Indicator: PWR Port Indicator: LINK / ACT
<b>Power Supply</b>	Input Voltage: DC10-58V Connector: 6 bit 5.08mm removable terminal block Full Load: <4W Protection Mechanism: overload protection, reverse connection protection, redundancy protection
<b>Mechanical Structure</b>	Shell: IP40 protection, aluminum alloy housing Dimension: 143*104*48mm( L*W*H ) Weight: 500g Installation: DIN-Rail mounting, wall mounting
<b>Operating Environment</b>	Operating Temperature: -40-85°C Storage Temperature: -40-85°C Ambient Relative Humidity: 5%-95% (non-condensing)
<b>Industry Standards</b>	EMI:FCC Part 15 Subpart B Class A, EN 55022 Class A EMS:EN61000-4-2 (ESD), Level 4 at 15kV(Air), 8kV(Contact) EN61000-4-3 (R/S), Level 3 at 10V/m EN61000-4-4 (EFT), Level 4 at 4kV(Power Port), 2kV(Date Port) EN61000-4-5 (Surge), Level 4 at 4kV EN61000-4-6 (CS), Level 3 at 10V/m EN61000-4-8, Level 5 at 100A/m Shock:IEC 60068-2-27 Free Fall:IEC 60068-2-32 Vibration:IEC 60068-2-6
<b>Certification</b>	CE, FCC, RoHS
<b>MTBF</b>	>100,000 Hours
<b>Warranty</b>	5-years

### Dimension



### Order Information

Model No.	Description of Goods
JHA-IGS11	Unmanaged Industrial Ethernet Switch, 1 1000Base-X SFP Slot and 1 10/100/1000Base-T(X), DIN-Rail, DC10-58V, -40-85° C Operating Temperature
JHA-IG11	Unmanaged Industrial Ethernet Switch, 1 1000Base-FX and 1 10/100/1000Base-T(X), SC Connector, Multimode, Dual Fiber, 550m, DIN-Rail, DC10-58V, -40-85° C Operating Temperature
JHA-IG11-20	Unmanaged Industrial Ethernet Switch, 1 1000Base-FX and 1 10/100/1000Base-T(X), SC Connector, Single Mode, Dual Fiber, 20Km, DIN-Rail, DC10-58V, -40-85° C Operating Temperature
JHA-IG11W-20	Unmanaged Industrial Ethernet Switch, 1 1000Base-FX and 1 10/100/1000Base-T(X), SC Connector, Single Mode, Single Fiber, 20Km, DIN-Rail, DC10-58V, -40-85° C Operating Temperature

**Fiber Connector:** SC/ST/FC/LC(SFP Slot), Single Mode/Multimode, Dual Fiber/Single Fiber, 550m/2Km/20Km/40Km/60Km/80Km/100Km/120Km is Optional.

**Power Supply:** DC24V DIN-Rail Power Supply or Power Adapter is Optional.



## JHA-IGS12 Series

3-port Unmanaged Industrial Ethernet Switch, with 1 1000Base-X SFP Slot and 2 10/100/1000Base-T(X) Ethernet Port

### Features



- Support 1 1000Base-X SFP slot and 2 10/100/1000Base-T(X) Ethernet port.
- Support IEEE802.3, IEEE802.3u, IEEE802.3x.
- Plug-and-play, 10/100/1000Base-T(X), full/half duplex, MDI/MDI-X auto-adaptation.
- Industrial chip design, 15kV ESD protection, 8kV surge protection.
- DC10-58V redundancy power, reverse polarity protection.
- Industrial grade 4 design, -40-85° C operating temperature.
- IP40 rated aluminum alloy housing, DIN-Rail mounted.

### Introduction

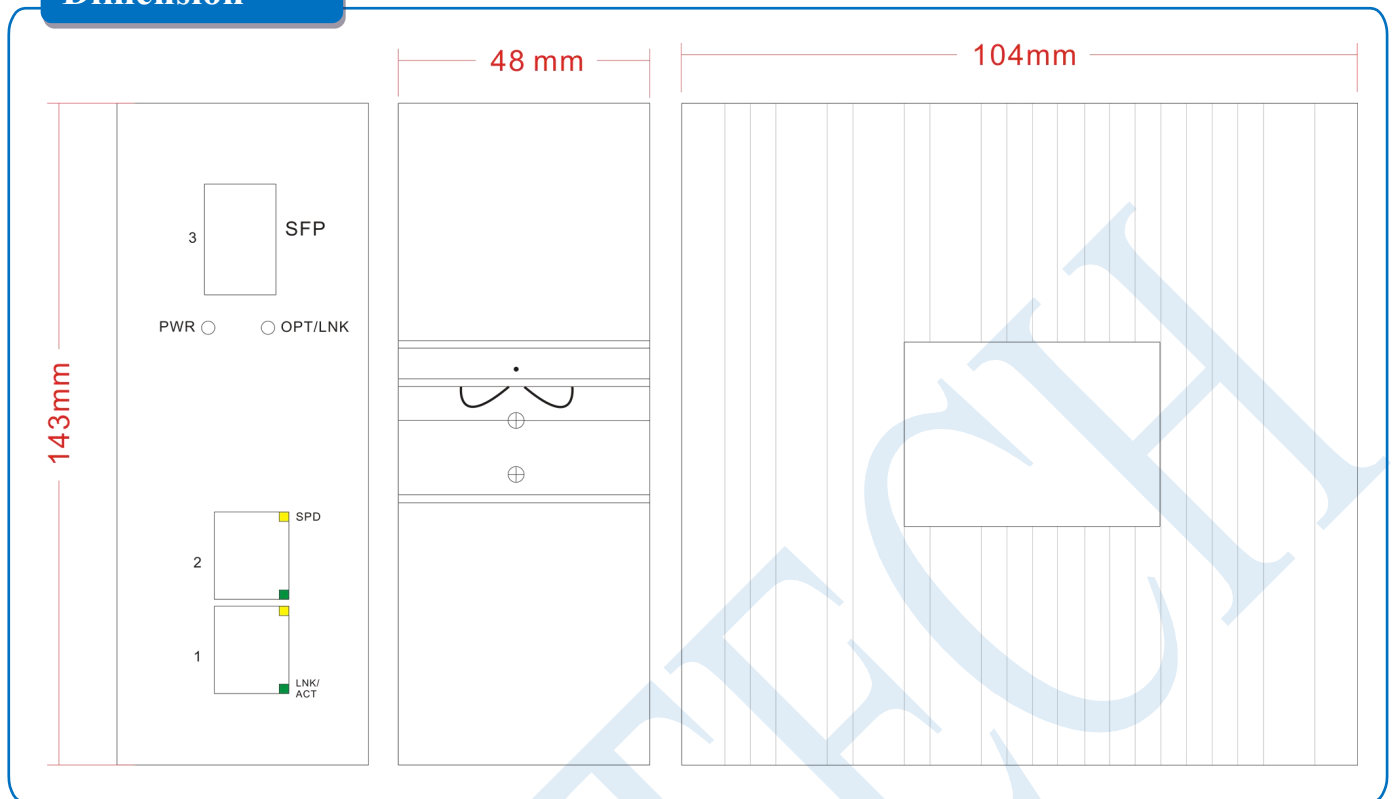
JHA-IGS12 is a plug-and-play unmanaged industrial Ethernet switch, which can provide economical solution for your Ethernet. Its dust-proof fully sealed structure(IP40 protection grade), over-current, over-voltage and EMC protected, redundant double power input as well as built-in intelligent alarm design can help system main tenancy personnel monitor the network operation, which can work reliably in harsh and dangerous environment.

JHA-IGS12 support 1 1000Base-X SFP slot and 2 10/100/1000Base-T(X) Ethernet port. It support CE, FCC, RoHS standard, rugged high-strength metal case, power input (DC10-58V). The switch support IEEE802.3, IEEE802.3u, IEEE802.3x with 10/100/1000Base-T(X), full/half-duplex, and MDI/MDI-X auto-adaptation, the -40-85 °C operating temperature can meet all kinds of industrial environment requirement, providing reliable and economic solution for your industrial Ethernet network.

## Specification

<b>Protocol Standard</b>	IEEE802.3, IEEE802.3u, IEEE802.3x
<b>Flow Control</b>	IEEE802.3x flow control, back press flow control
<b>Switching Performance</b>	Forwarding Rate: 7.44Mpps Transmission Mode: Store and Forward Packet Buffer Size: 1M Backplane Bandwidth: 10Gbps MAC Table Size: 8K Delay Time: < 4 $\mu$ s
<b>Ethernet Port</b>	10/100/1000Base-T(X) auto speed control, full/half duplex and MDI/MDI-X auto-adaptation
<b>Fiber Port</b>	1000Base-X SFP slot
<b>LED Indicator</b>	Power Indicator: PWR Port Indicator: LINK / ACT
<b>Power Supply</b>	Input Voltage: DC10-58V Connector: 6 bit 5.08mm removable terminal block Full Load: <4W Protection Mechanism: overload protection, reverse connection protection, redundancy protection
<b>Mechanical Structure</b>	Shell: IP40 protection, aluminum alloy housing Dimension: 143*104*48mm( L*W*H ) Weight: 500g Installation: DIN-Rail mounting, wall mounting
<b>Operating Environment</b>	Operating Temperature: -40-85 $^{\circ}$ C Storage Temperature: -40-85 $^{\circ}$ C Ambient Relative Humidity: 5%-95% (non-condensing)
<b>Industry Standards</b>	EMI:FCC Part 15 Subpart B Class A, EN 55022 Class A EMS:EN61000-4-2 (ESD), Level 4 at 15kV(Air), 8kV(Contact) EN61000-4-3 (R/S), Level 3 at 10V/m EN61000-4-4 (EFT), Level 4 at 4kV(Power Port), 2kV(Date Port) EN61000-4-5 (Surge), Level 4 at 4kV EN61000-4-6 (CS), Level 3 at 10V/m EN61000-4-8, Level 5 at 100A/m Shock:IEC 60068-2-27 Free Fall:IEC 60068-2-32 Vibration:IEC 60068-2-6
<b>Certification</b>	CE, FCC, RoHS
<b>MTBF</b>	>100,000 Hours
<b>Warranty</b>	5-years

### Dimension



### Order Information

Model No.	Description of Goods
JHA-IGS12	Unmanaged Industrial Ethernet Switch, 1 1000Base-X SFP Slot and 2 10/100/1000Base-T(X), DIN-Rail, DC10-58V, -40-85° C Operating Temperature
JHA-IG12	Unmanaged Industrial Ethernet Switch, 1 1000Base-FX and 2 10/100/1000Base-T(X), SC Connector, Multimode, Dual Fiber, 550m, DIN-Rail, DC10-58V, -40-85° C Operating Temperature
JHA-IG12-20	Unmanaged Industrial Ethernet Switch, 1 1000Base-FX and 2 10/100/1000Base-T(X), SC Connector, Single Mode, Dual Fiber, 20Km, DIN-Rail, DC10-58V, -40-85° C Operating Temperature
JHA-IG12W-20	Unmanaged Industrial Ethernet Switch, 1 1000Base-FX and 2 10/100/1000Base-T(X), SC Connector, Single Mode, Single Fiber, 20Km, DIN-Rail, DC10-58V, -40-85° C Operating Temperature

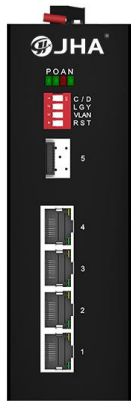
**Fiber Connector:** SC/ST/FC/LC(SFP Slot), Single Mode/Multimode, Dual Fiber/Single Fiber, 550m/2Km/20Km/40Km/60Km/80Km/100Km/120Km is Optional.

**Power Supply:** DC24V DIN-Rail Power Supply or Power Adapter is Optional.

## JHA-IGS14 Series

5-port Unmanaged Industrial Ethernet Switch, with 1 1000Base-X SFP Slot and 4 10/100/1000Base-T(X) Ethernet Port

### Features



- Support 1 1000Base-X SFP slot and 4 10/100/1000Base-T(X) Ethernet port.
- Support IEEE802.3, IEEE802.3u, IEEE802.3x.
- Plug-and-play, 10/100/1000Base-T(X), full/half duplex, MDI/MDI-X auto-adaptation.
- Industrial chip design, 15kV ESD protection, 8kV surge protection.
- DC10-58V redundancy power, reverse polarity protection.
- Industrial grade 4 design, -40-85° C operating temperature.
- IP40 rated aluminum alloy housing, DIN-Rail mounted.



### Introduction

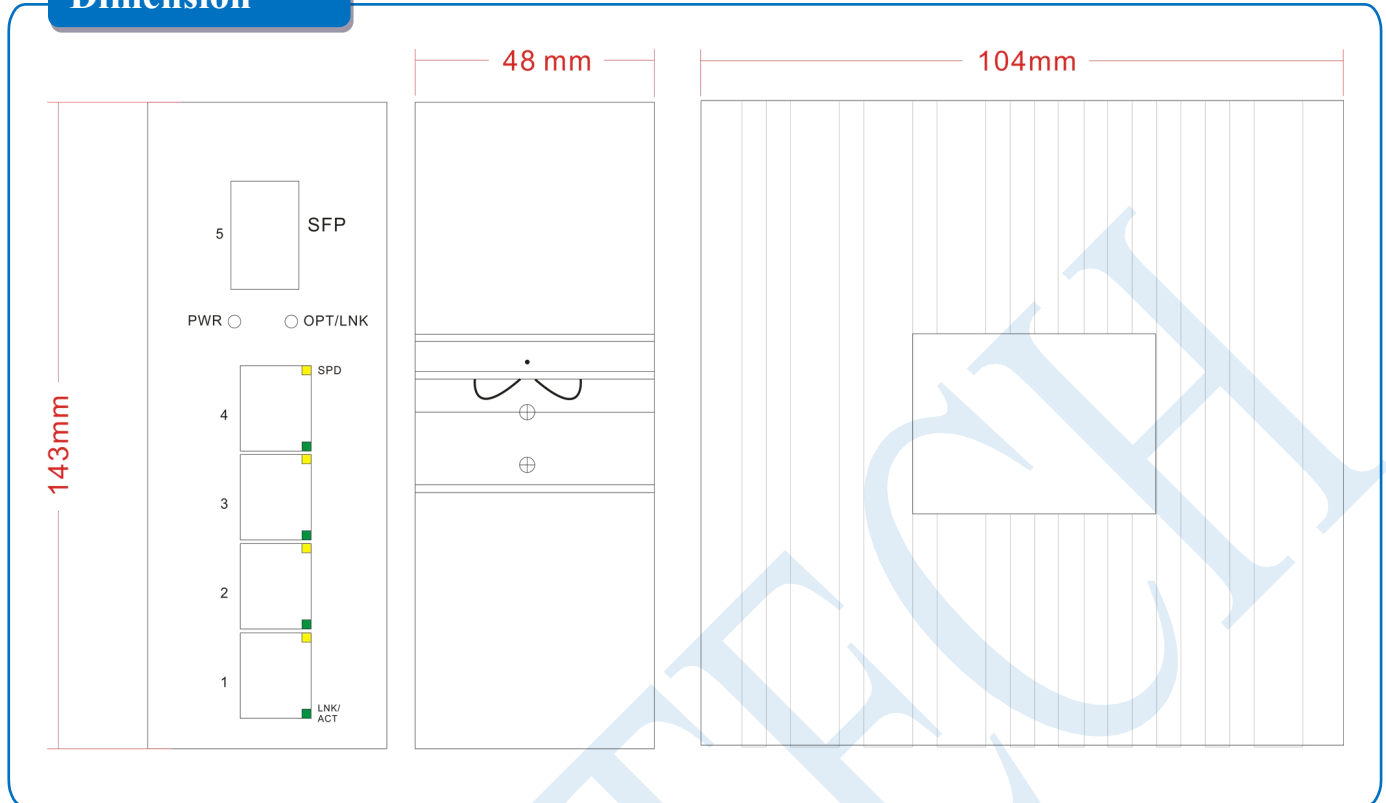
JHA-IGS14 is a plug-and-play unmanaged industrial Ethernet switch, which can provide economical solution for your Ethernet. Its dust-proof fully sealed structure(IP40 protection grade), over-current, over-voltage and EMC protected, redundant double power input as well as built-in intelligent alarm design can help system main tenancy personnel monitor the network operation, which can work reliably in harsh and dangerous environment.

JHA-IGS14 support 1 1000Base-X SFP slot and 4 10/100/1000Base-T(X) Ethernet port. It support CE, FCC, RoHS standard, rugged high-strength metal case, power input (DC10-58V). The switch support IEEE802.3, IEEE802.3u, IEEE802.3x with 10/100/1000Base-T(X), full/half-duplex, and MDI/MDI-X auto-adaptation, the -40-85 °C operating temperature can meet all kinds of industrial environment requirement, providing reliable and economic solution for your industrial Ethernet network.

## Specification

<b>Protocol Standard</b>	IEEE802.3, IEEE802.3u, IEEE802.3x
<b>Flow Control</b>	IEEE802.3x flow control, back press flow control
<b>Switching Performance</b>	Forwarding Rate: 7.44Mpps Transmission Mode: Store and Forward Packet Buffer Size: 1M Backplane Bandwidth: 10Gbps MAC Table Size: 8K Delay Time: < 4μs
<b>Ethernet Port</b>	10/100/1000Base-T(X) auto speed control, full/half duplex and MDI/MDI-X auto-adaptation
<b>Fiber Port</b>	1000Base-X SFP slot
<b>LED Indicator</b>	Power Indicator: PWR Port Indicator: LINK / ACT
<b>Power Supply</b>	Input Voltage: DC10-58V Connector: 6 bit 5.08mm removable terminal block Full Load: <4W Protection Mechanism: overload protection, reverse connection protection, redundancy protection
<b>Mechanical Structure</b>	Shell: IP40 protection, aluminum alloy housing Dimension: 143*104*48mm( L*W*H ) Weight: 500g Installation: DIN-Rail mounting, wall mounting
<b>Operating Environment</b>	Operating Temperature: -40-85°C Storage Temperature: -40-85°C Ambient Relative Humidity: 5%-95% (non-condensing)
<b>Industry Standards</b>	EMI:FCC Part 15 Subpart B Class A, EN 55022 Class A EMS:EN61000-4-2 (ESD), Level 4 at 15kV(Air), 8kV(Contact) EN61000-4-3 (R/S), Level 3 at 10V/m EN61000-4-4 (EFT), Level 4 at 4kV(Power Port), 2kV(Date Port) EN61000-4-5 (Surge), Level 4 at 4kV EN61000-4-6 (CS), Level 3 at 10V/m EN61000-4-8, Level 5 at 100A/m Shock:IEC 60068-2-27 Free Fall:IEC 60068-2-32 Vibration:IEC 60068-2-6
<b>Certification</b>	CE, FCC, RoHS
<b>MTBF</b>	>100,000 Hours
<b>Warranty</b>	5-years

### Dimension



### Order Information

Model No.	Description of Goods
JHA-IGS14	Unmanaged Industrial Ethernet Switch, 1 1000Base-X SFP Slot and 4 10/100/1000Base-T(X), DIN-Rail, DC10-58V, -40-85° C Operating Temperature
JHA-IG14	Unmanaged Industrial Ethernet Switch, 1 1000Base-FX and 4 10/100/1000Base-T(X), SC Connector, Multimode, Dual Fiber, 550m, DIN-Rail, DC10-58V, -40-85° C Operating Temperature
JHA-IG14-20	Unmanaged Industrial Ethernet Switch, 1 1000Base-FX and 4 10/100/1000Base-T(X), SC Connector, Single Mode, Dual Fiber, 20Km, DIN-Rail, DC10-58V, -40-85° C Operating Temperature
JHA-IG14 W-20	Unmanaged Industrial Ethernet Switch, 1 1000Base-FX and 4 10/100/1000Base-T(X), SC Connector, Single Mode, Single Fiber, 20Km, DIN-Rail, DC10-58V, -40-85° C Operating Temperature
<p><b>Fiber Connector:</b> SC/ST/FC/LC(SFP Slot), Single Mode/Multimode, Dual Fiber/Single Fiber, 550m/2Km/20Km/40Km/60Km/80Km/100Km/120Km is Optional.</p> <p><b>Power Supply:</b> DC24V DIN-Rail Power Supply or Power Adapter is Optional.</p>	

## JHA-IGS24 Series

6-port Unmanaged Industrial Ethernet Switch, with 2 1000Base-X SFP Slot and 4 10/100/1000Base-T(X) Ethernet Port

### Features



- Support 2 1000Base-X SFP slot and 4 10/100/1000Base-T(X) Ethernet port.
- Support IEEE802.3, IEEE802.3u, IEEE802.3x.
- Plug-and-play, 10/100/1000Base-T(X), full/half duplex, MDI/MDI-X auto-adaptation.
- Industrial chip design, 15kV ESD protection, 8kV surge protection.
- DC10-58V redundancy power, reverse polarity protection.
- Industrial grade 4 design, -40-85° C operating temperature.
- IP40 rated aluminum alloy housing, DIN-Rail mounted.

### Introduction

JHA-IGS24 is a plug-and-play unmanaged industrial Ethernet switch, which can provide economical solution for your Ethernet. Its dust-proof fully sealed structure(IP40 protection grade), over-current, over-voltage and EMC protected, redundant double power input as well as built-in intelligent alarm design can help system main tenancy personnel monitor the network operation, which can work reliably in harsh and dangerous environment.

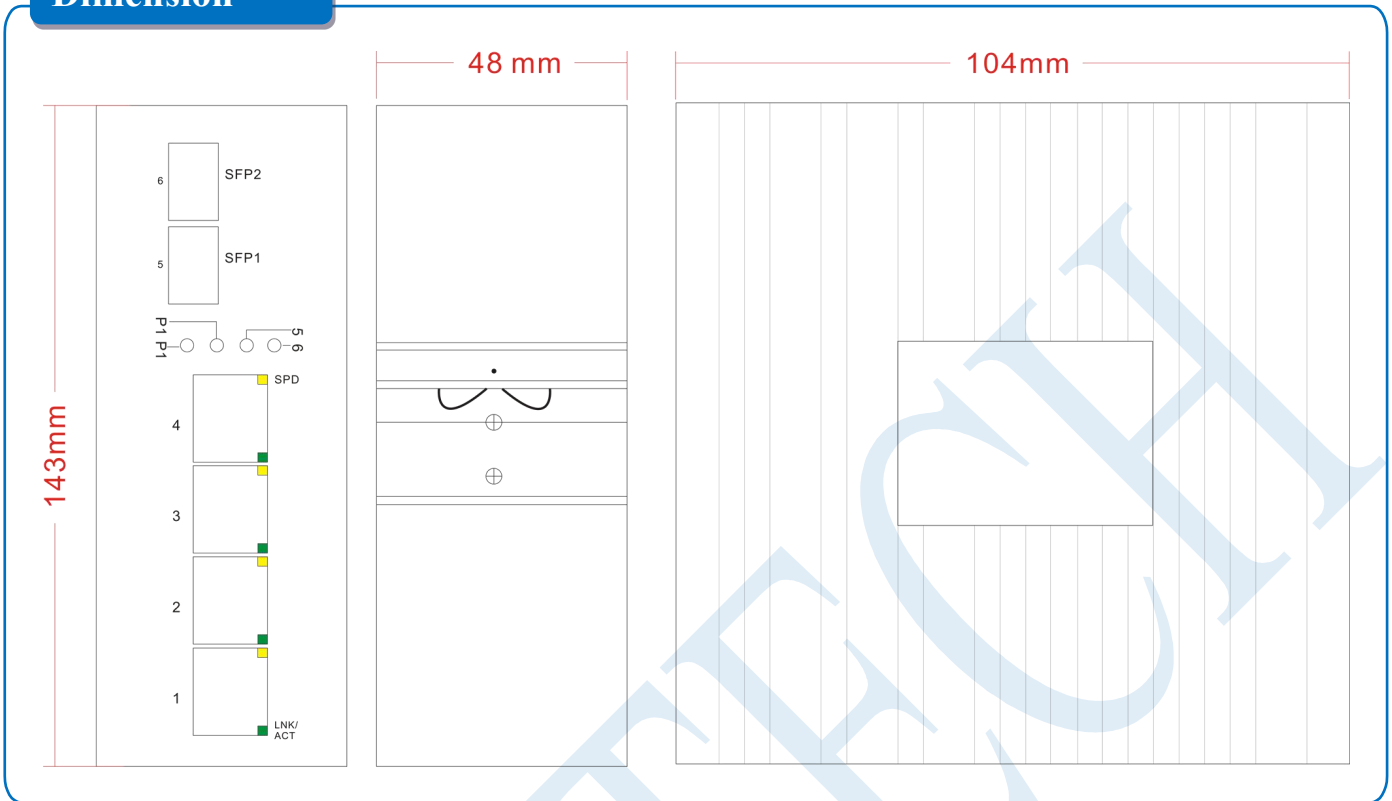
JHA-IGS24 support 2 1000Base-X SFP slot and 4 10/100/1000Base-T(X) Ethernet port. It support CE, FCC, RoHS standard, rugged high-strength metal case, power input (DC10-58V). The switch support IEEE802.3, IEEE802.3u, IEEE802.3x with 10/100/1000Base-T(X), full/half-duplex, and MDI/MDI-X auto-adaptation, the -40-85 °C operating temperature can meet all kinds of industrial environment requirement, providing reliable and economic solution for your industrial Ethernet network.

## Specification

<b>Protocol Standard</b>	IEEE802.3, IEEE802.3u, IEEE802.3x
<b>Flow Control</b>	IEEE802.3x flow control, back press flow control
<b>Switching Performance</b>	Forwarding Rate: 8.928Mpps Transmission Mode: Store and Forward Packet Buffer Size: 1M Backplane Bandwidth: 12Gbps MAC Table Size: 1K Delay Time: < 4μs
<b>Ethernet Port</b>	10/100/1000Base-T(X) auto speed control, full/half duplex and MDI/MDI-X auto-adaptation
<b>Fiber Port</b>	1000Base-X SFP slot
<b>LED Indicator</b>	Power Indicator: PWR Port Indicator: LINK / ACT
<b>Power Supply</b>	Input Voltage: DC10-58V Connector: 6 bit 5.08mm removable terminal block Full Load: <4W Protection Mechanism: overload protection, reverse connection protection, redundancy protection
<b>Mechanical Structure</b>	Shell: IP40 protection, aluminum alloy housing Dimension: 143*104*48mm( L*W*H ) Weight: 550g Installation: DIN-Rail mounting, wall mounting
<b>Operating Environment</b>	Operating Temperature: -40-85°C Storage Temperature: -40-85°C Ambient Relative Humidity: 5%-95% (non-condensing)
<b>Industry Standards</b>	EMI:FCC Part 15 Subpart B Class A, EN 55022 Class A EMS:EN61000-4-2 (ESD), Level 4 at 15kV(Air), 8kV(Contact) EN61000-4-3 (R/S), Level 3 at 10V/m EN61000-4-4 (EFT), Level 4 at 4kV(Power Port), 2kV(Date Port) EN61000-4-5 (Surge), Level 4 at 4kV EN61000-4-6 (CS), Level 3 at 10V/m EN61000-4-8, Level 5 at 100A/m Shock:IEC 60068-2-27 Free Fall:IEC 60068-2-32 Vibration:IEC 60068-2-6
<b>Certification</b>	CE, FCC, RoHS
<b>MTBF</b>	>100,000 Hours
<b>Warranty</b>	5-years



**Dimension**



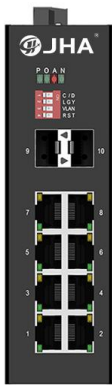
**Order Information**

Model No.	Description of Goods
JHA-IGS24	Unmanaged Industrial Ethernet Switch, 2 1000Base-X SFP Slot and 4 10/100/1000Base-T(X), DIN-Rail, DC10-58V, -40-85° C Operating Temperature
<b>Power Supply:</b> DC24V DIN-Rail Power Supply or Power Adapter is Optional.	

## JHA-IGS28 Series

10-port Unmanaged Industrial Ethernet Switch, with 2 1000Base-X SFP Slot and 8 10/100/1000Base-T(X) Ethernet Port

### Features



- Support 2 1000Base-X SFP slot and 8 10/100/1000Base-T(X) Ethernet port.
- Support IEEE802.3, IEEE802.3u, IEEE802.3x.
- Plug-and-play, 10/100/1000Base-T(X), full/half duplex, MDI/MDI-X auto-adaptation.
- Industrial chip design, 15kV ESD protection, 8kV surge protection.
- DC10-58V redundancy power, reverse polarity protection.
- Industrial grade 4 design, -40-85° C operating temperature.
- IP40 rated aluminum alloy housing, DIN-Rail mounted.

### Introduction

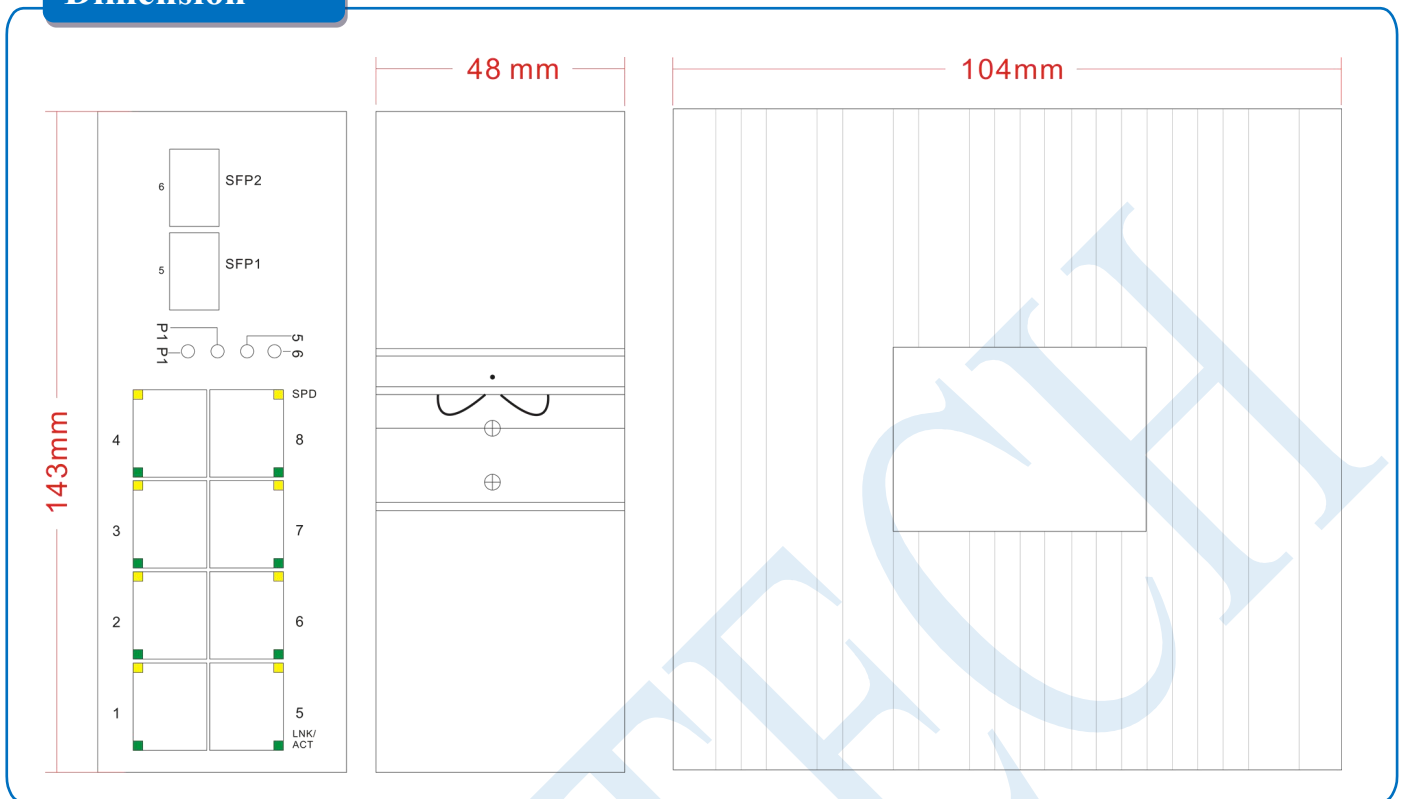
JHA-IGS28 is a plug-and-play unmanaged industrial Ethernet switch, which can provide economical solution for your Ethernet. Its dust-proof fully sealed structure(IP40 protection grade), over-current, over-voltage and EMC protected, redundant double power input as well as built-in intelligent alarm design can help system main tenancy personnel monitor the network operation, which can work reliably in harsh and dangerous environment.

JHA-IGS28 support 2 1000Base-X SFP slot and 8 10/100/1000Base-T(X) Ethernet port. It support CE, FCC, RoHS standard, rugged high-strength metal case, power input (DC10-58V). The switch support IEEE802.3, IEEE802.3u, IEEE802.3x with 10/100/1000Base-T(X), full/half-duplex, and MDI/MDI-X auto-adaptation, the -40-85 °C operating temperature can meet all kinds of industrial environment requirement, providing reliable and economic solution for your industrial Ethernet network.

## Specification

<b>Protocol Standard</b>	IEEE802.3, IEEE802.3u, IEEE802.3x
<b>Flow Control</b>	IEEE802.3x flow control, back press flow control
<b>Switching Performance</b>	Forwarding Rate: 14.88Mpps Transmission Mode: Store and Forward Packet Buffer Size: 2M Backplane Bandwidth: 20Gbps MAC Table Size: 16K Delay Time: < 4μs
<b>Ethernet Port</b>	10/100/1000Base-T(X) auto speed control, full/half duplex and MDI/MDI-X auto-adaptation
<b>Fiber Port</b>	1000Base-X SFP slot
<b>LED Indicator</b>	Power Indicator: PWR Port Indicator: LINK / ACT
<b>Power Supply</b>	Input Voltage: DC10-58V Connector: 6 bit 5.08mm removable terminal block Full Load: <6W Protection Mechanism: overload protection, reverse connection protection, redundancy protection
<b>Mechanical Structure</b>	Shell: IP40 protection, aluminum alloy housing Dimension: 143*104*48mm( L*W*H ) Weight: 550g Installation: DIN-Rail mounting, wall mounting
<b>Operating Environment</b>	Operating Temperature: -40-85°C Storage Temperature: -40-85°C Ambient Relative Humidity: 5%-95% (non-condensing)
<b>Industry Standards</b>	EMI:FCC Part 15 Subpart B Class A, EN 55022 Class A EMS:EN61000-4-2 (ESD), Level 4 at 15kV(Air), 8kV(Contact) EN61000-4-3 (R/S), Level 3 at 10V/m EN61000-4-4 (EFT), Level 4 at 4kV(Power Port), 2kV(Date Port) EN61000-4-5 (Surge), Level 4 at 4kV EN61000-4-6 (CS), Level 3 at 10V/m EN61000-4-8, Level 5 at 100A/m Shock:IEC 60068-2-27 Free Fall:IEC 60068-2-32 Vibration:IEC 60068-2-6
<b>Certification</b>	CE, FCC, RoHS
<b>MTBF</b>	>100,000 Hours
<b>Warranty</b>	5-years

### Dimension



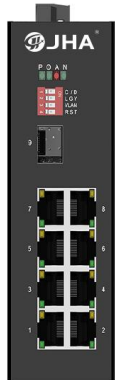
### Order Information

Model No.	Description of Goods
JHA-IGS28	Unmanaged Industrial Ethernet Switch, 2 1000Base-X SFP Slot and 8 10/100/1000Base-T(X), DIN-Rail, DC10-58V, -40-85° C Operating Temperature
<b>Power Supply:</b> DC24V DIN-Rail Power Supply or Power Adapter is Optional.	

## JHA-IGS10F08 Series

9-port Unmanaged Industrial Ethernet Switch, with 1 1000Base-X SFP Slot and 8 10/100Base-T(X) Ethernet Port

### Features



- Support 1 1000Base-X SFP slot and 8 10/100Base-T(X) Ethernet port.
- Support IEEE802.3, IEEE802.3u, IEEE802.3x.
- Plug-and-play, 10/100Base-T(X), full/half duplex, MDI/MDI-X auto-adaptation.
- Industrial chip design, 15kV ESD protection, 8kV surge protection.
- DC10-58V redundancy power, reverse polarity protection.
- Industrial grade 4 design, -40-85° C operating temperature.
- IP40 rated aluminum alloy housing, DIN-Rail mounted.



### Introduction

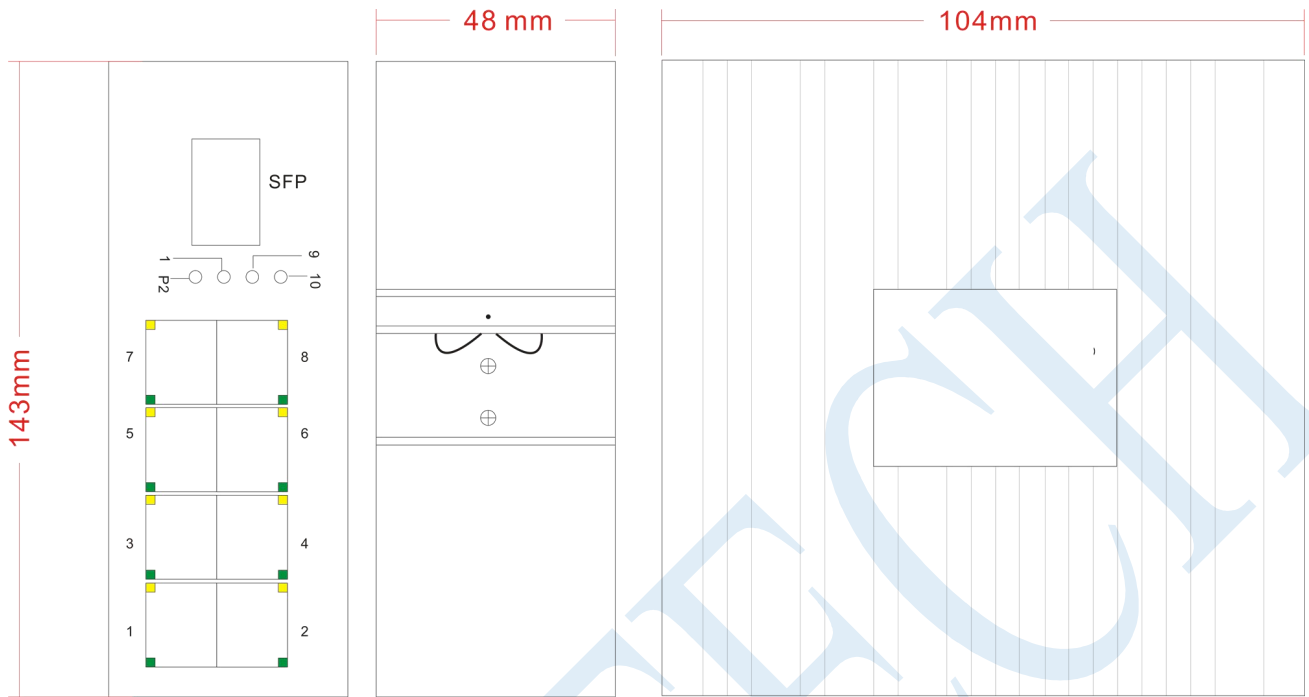
JHA-IGS10F08 is a plug-and-play unmanaged industrial Ethernet switch, which can provide economical solution for your Ethernet. Its dust-proof fully sealed structure(IP40 protection grade), over-current, over-voltage and EMC protected, redundant double power input as well as built-in intelligent alarm design can help system main tenancy personnel monitor the network operation, which can work reliably in harsh and dangerous environment.

JHA-IGS10F08 support 1 1000Base-X SFP slot and 8 10/100Base-T(X) Ethernet port. It support CE, FCC, RoHS standard, rugged high-strength metal case, power input (DC10-58V). The switch support IEEE802.3, IEEE802.3u, IEEE802.3x with 10/100Base-T(X), full/half-duplex, and MDI/MDI-X auto-adaptation, the -40-85 °C operating temperature can meet all kinds of industrial environment requirement, providing reliable and economic solution for your industrial Ethernet network.

## Specification

<b>Protocol Standard</b>	IEEE802.3, IEEE802.3u, IEEE802.3x
<b>Flow Control</b>	IEEE802.3x flow control, back press flow control
<b>Switching Performance</b>	Forwarding Rate: 4.16Mpps Transmission Mode: Store and Forward Packet Buffer Size: 1M Backplane Bandwidth: 5.6Gbps MAC Table Size: 8K Delay Time: < 4μs
<b>Ethernet Port</b>	10/100Base-T(X) auto speed control, full/half duplex and MDI/MDI-X auto-adaptation
<b>Fiber Port</b>	1000Base-X SFP slot
<b>LED Indicator</b>	Power Indicator: PWR Port Indicator: LINK / ACT
<b>Power Supply</b>	Input Voltage: DC10-58V Connector: 6 bit 5.08mm removable terminal block Full Load: <5W Protection Mechanism: overload protection, reverse connection protection, redundancy protection
<b>Mechanical Structure</b>	Shell: IP40 protection, aluminum alloy housing Dimension: 143*104*48mm( L*W*H ) Weight: 550g Installation: DIN-Rail mounting, wall mounting
<b>Operating Environment</b>	Operating Temperature: -40-85°C Storage Temperature: -40-85°C Ambient Relative Humidity: 5%-95% (non-condensing)
<b>Industry Standards</b>	EMI:FCC Part 15 Subpart B Class A, EN 55022 Class A EMS:EN61000-4-2 (ESD), Level 4 at 15kV(Air), 8kV(Contact) EN61000-4-3 (R/S), Level 3 at 10V/m EN61000-4-4 (EFT), Level 4 at 4kV(Power Port), 2kV(Date Port) EN61000-4-5 (Surge), Level 4 at 4kV EN61000-4-6 (CS), Level 3 at 10V/m EN61000-4-8, Level 5 at 100A/m Shock:IEC 60068-2-27 Free Fall:IEC 60068-2-32 Vibration:IEC 60068-2-6
<b>Certification</b>	CE, FCC, RoHS
<b>MTBF</b>	>100,000 Hours
<b>Warranty</b>	5-years

**Dimension**



**Order Information**

Model No.	Description of Goods
JHA-IGS10F08	Unmanaged Industrial Ethernet Switch, 1 1000Base-X SFP Slot and 8 10/100Base-T(X), DIN-Rail, DC10-58V, -40-85° C Operating Temperature
<b>Power Supply:</b> DC24V DIN-Rail Power Supply or Power Adapter is Optional.	

## JHA-IGS20F08 Series

10-port Unmanaged Industrial Ethernet Switch, with 2 1000Base-X SFP Slot and 8 10/100Base-T(X) Ethernet Port

### Features



- Support 2 1000Base-X SFP slot and 8 10/100Base-T(X) Ethernet port.
- Support IEEE802.3, IEEE802.3u, IEEE802.3x.
- Plug-and-play, 10/100Base-T(X), full/half duplex, MDI/MDI-X auto-adaptation.
- Industrial chip design, 15kV ESD protection, 8kV surge protection.
- DC10-58V redundancy power, reverse polarity protection.
- Industrial grade 4 design, -40-85° C operating temperature.
- IP40 rated aluminum alloy housing, DIN-Rail mounted.

### Introduction

JHA-IGS20F08 is a plug-and-play unmanaged industrial Ethernet switch, which can provide economical solution for your Ethernet. Its dust-proof fully sealed structure(IP40 protection grade), over-current, over-voltage and EMC protected, redundant double power input as well as built-in intelligent alarm design can help system main tenancy personnel monitor the network operation, which can work reliably in harsh and dangerous environment.

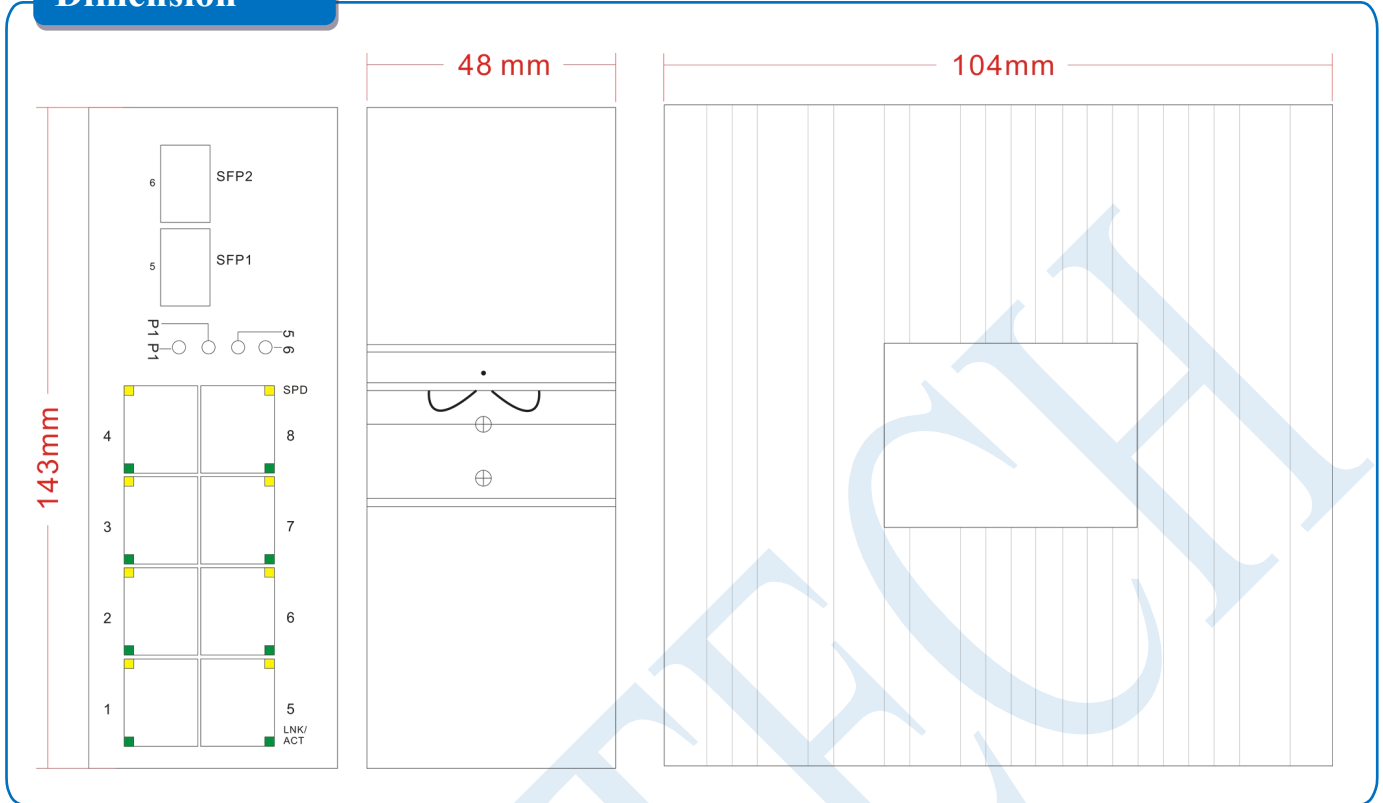
JHA-IGS20F08 support 2 1000Base-X SFP slot and 8 10/100Base-T(X) Ethernet port. It support CE, FCC, RoHS standard, rugged high-strength metal case, power input (DC10-58V). The switch support IEEE802.3, IEEE802.3u, IEEE802.3x with 10/100Base-T(X), full/half-duplex, and MDI/MDI-X auto-adaptation, the -40-85 °C operating temperature can meet all kinds of industrial environment requirement, providing reliable and economic solution for your industrial Ethernet network.



## Specification

<b>Protocol Standard</b>	IEEE802.3, IEEE802.3u, IEEE802.3x
<b>Flow Control</b>	IEEE802.3x flow control, back press flow control
<b>Switching Performance</b>	Forwarding Rate: 4.16Mpps Transmission Mode: Store and Forward Packet Buffer Size: 1M Backplane Bandwidth: 5.6Gbps MAC Table Size: 8K Delay Time: < 4μs
<b>Ethernet Port</b>	10/100Base-T(X) auto speed control, full/half duplex and MDI/MDI-X auto-adaptation
<b>Fiber Port</b>	1000Base-X SFP slot
<b>LED Indicator</b>	Power Indicator: PWR Port Indicator: LINK / ACT
<b>Power Supply</b>	Input Voltage: DC10-58V Connector: 6 bit 5.08mm removable terminal block Full Load: <5W Protection Mechanism: overload protection, reverse connection protection, redundancy protection
<b>Mechanical Structure</b>	Shell: IP40 protection, aluminum alloy housing Dimension: 143*104*48mm( L*W*H ) Weight: 550g Installation: DIN-Rail mounting, wall mounting
<b>Operating Environment</b>	Operating Temperature: -40-85°C Storage Temperature: -40-85°C Ambient Relative Humidity: 5%-95% (non-condensing)
<b>Industry Standards</b>	EMI:FCC Part 15 Subpart B Class A, EN 55022 Class A EMS:EN61000-4-2 (ESD), Level 4 at 15kV(Air), 8kV(Contact) EN61000-4-3 (R/S), Level 3 at 10V/m EN61000-4-4 (EFT), Level 4 at 4kV(Power Port), 2kV(Date Port) EN61000-4-5 (Surge), Level 4 at 4kV EN61000-4-6 (CS), Level 3 at 10V/m EN61000-4-8, Level 5 at 100A/m Shock:IEC 60068-2-27 Free Fall:IEC 60068-2-32 Vibration:IEC 60068-2-6
<b>Certification</b>	CE, FCC, RoHS
<b>MTBF</b>	>100,000 Hours
<b>Warranty</b>	5-years

### Dimension



### Order Information

Model No.	Description of Goods
JHA-IGS20F08	Unmanaged Industrial Ethernet Switch, 2 1000Base-X SFP Slot and 8 10/100Base-T(X), DIN-Rail, DC10-58V, -40-85° C Operating Temperature
<b>Power Supply:</b> DC24V DIN-Rail Power Supply or Power Adapter is Optional.	

## JHA-MIGS24 Series

6-port Managed Industrial Ethernet Switch, with 2 1000Base-X SFP Slot and 4 10/100/1000Base-T(X) Ethernet Port

### Features



- Support 2 1000Base-X SFP slot and 4 10/100/1000Base-T(X) Ethernet port.
- Support G.8032(ERPS), IEEE802.3, IEEE802.3u, IEEE802.3z, IEEE802.3x, IEEE802.3ad, IEEE802.3ab, IEEE802.1p, IEEE802.1x, IEEE802.1Q, IGMP Snooping, IPv4/IPv6 precedence.
- Support CLI, SNMP, WEB management, Console/Telnet command-line management and syslog, using self-developed ring network technology, recovery time <20ms.
- DC10-58V redundancy power, reverse polarity protection.
- Industrial grade 4 design, -40-85°C operating temperature.
- IP40 rated aluminum alloy housing, DIN-Rail mounted.



### Introduction

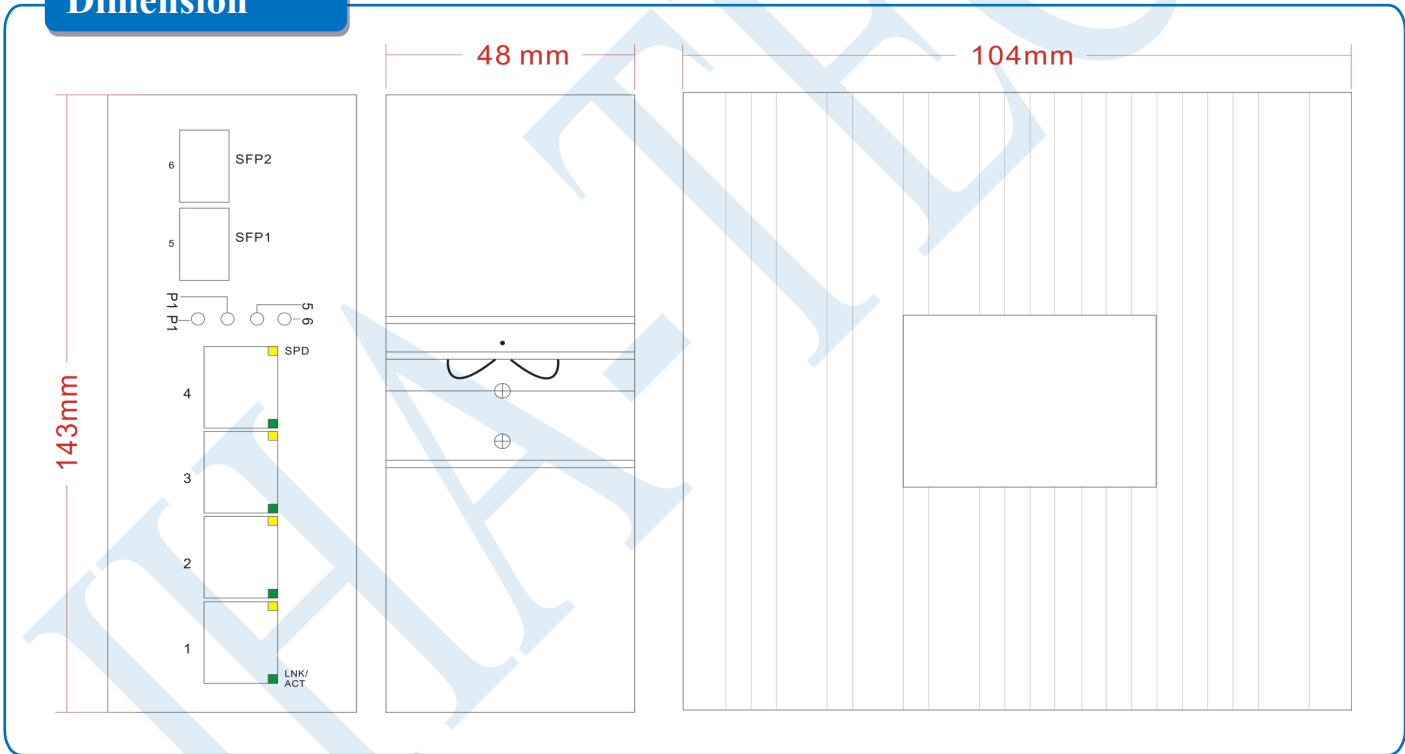
JHA-MIGS24 is a high performance, cost-effective high-end managed industrial Ethernet switch. The switch provides 4 10/100/1000Base-T(X) Ethernet port and 2 1000Base-X SFP slot. The use of a Ring technology (network fault recovery <20ms) the user can easily set the redundant ring network to increase network reliability, it also support WEB, CLI, Telnet/serial console, Windows utility, and SNMP management of a variety of ways, rich QoS features for data traffic control and management, support ring protocol, RSTP and STP Ethernet redundancy support port-based VLAN, IEEE 802.1Q VLAN and GVRP protocol. The product also industrial design, and can be widely used in automotive PIS, CCTV, video surveillance systems, train control system, but also applies to any vibration shock, EMC compatibility requirements of harsh industrial applications, can meet a variety of industrial site requirements to achieve higher reliability.

## Specification

<b>Protocol Standard</b>	G.8032(ERPS), IEEE802.3, IEEE802.3u, IEEE802.3z, IEEE802.3x, IEEE802.3ad, IEEE802.3ab, IEEE802.1p, IEEE802.1x, IEEE802.1Q, IGMP Snooping, IPv4/IPv6 precedence
<b>Switching Performance</b>	Forwarding Rate: 17.856Mpps Transmission Mode: Store and Forward Packet Buffer Size: 12M Backplane Bandwidth: 24Gbps MAC Table Size: 16K Priority Queues: 8 Delay Time: < 10μs
<b>Ring Network Management</b>	Bandwidth Management: outbound port speed, speed limit particle size: 0 - 1G, step 100kbps. Expanding Ring Back: based on port, support link aggregation/LACP, support load balancing, support port protection, Spanning Tree Protocol: STP, RSTP, MSTP. System Upgrade: support under BOOTROM Xmodem/TFTP upgrade, support for system files and upload and upgrade configuration files. User Management: hierarchical user and password protection, port septum away, broken fiber alarm, power failure alarm. System Maintenance: the optical module diagnostics, ping, port system count, support ERPS, ring protection switching time<20ms, with QOS traffic classification, priority level of trust, SP, WRR queue scheduling, support streaming strategies, suppression, support SNMP network pipe, support CLI/SNMP/WEB management, support Console and Telnet command line management and syslog.
<b>Ethernet Port</b>	10/100/1000Base-T(X) auto speed control, full/half duplex and MDI/MDI-X auto-adaptation
<b>Fiber Port</b>	1000Base-X SFP slot
<b>LED Indicator</b>	Power Indicator: PWR Port Indicator: LINK / ACT
<b>Power Supply</b>	Input Voltage: DC10-58V Connector: 6 bit 5.08mm removable terminal block Full Load: <10W Protection Mechanism: overload protection, reverse connection protection, redundancy protection
<b>Mechanical Structure</b>	Shell: IP40 protection, aluminum alloy housing Dimension: 143*104*48mm( L*W*H ) Weight: 550g Installation: DIN-Rail mounting, wall mounting
<b>Operating Environment</b>	Operating Temperature: -40-85°C Storage Temperature: -40-85°C

	Ambient Relative Humidity: 5%-95% (non-condensing)
<b>Industry Standards</b>	EMI:FCC Part 15 Subpart B Class A, EN 55022 Class A EMS:EN61000-4-2 (ESD), Level 4 at 15kV(Air), 8kV(Contact) EN61000-4-3 (R/S), Level 3 at 10V/m EN61000-4-4 (EFT), Level 4 at 4kV(Power Port), 2kV(Date Port) EN61000-4-5 (Surge), Level 4 at 4kV EN61000-4-6 (CS), Level 3 at 10V/m EN61000-4-8, Level 5 at 100A/m Shock:IEC 60068-2-27 Free Fall:IEC 60068-2-32 Vibration:IEC 60068-2-6
<b>Certification</b>	CE, FCC, RoHS
<b>MTBF</b>	>100,000 Hours
<b>Warranty</b>	5-years

**Dimension**



**Order Information**

Model No.	Description of Goods
JHA-MIGS24	Managed Industrial Ethernet Switch, 2 1000Base-X SFP Slot and 4 10/100/1000Base-T(X), DIN-Rail, DC10-58V, -40-85° C Operating Temperature
<b>Power Supply:</b> DC24V DIN-Rail Power Supply or Power Adapter is Optional.	

## JHA-MIGS28 Series

10-port Managed Industrial Ethernet Switch, with 2 1000Base-X SFP Slot and 8 10/100/1000Base-T(X) Ethernet Port

### Features



- Support 2 1000Base-X SFP slot and 8 10/100/1000Base-T(X) Ethernet port.
- Support G.8032(ERPS), IEEE802.3, IEEE802.3u, IEEE802.3z, IEEE802.3x, IEEE802.3ad, IEEE802.3ab, IEEE802.1p, IEEE802.1x, IEEE802.1Q, IGMP Snooping, IPv4/IPv6 precedence.
- Support CLI, SNMP, WEB management, Console/Telnet command-line management and syslog, using self-developed ring network technology, recovery time <20ms.
- DC10-58V redundancy power, reverse polarity protection.
- Industrial grade 4 design, -40-85°C operating temperature.
- IP40 rated aluminum alloy housing, DIN-Rail mounted.



### Introduction

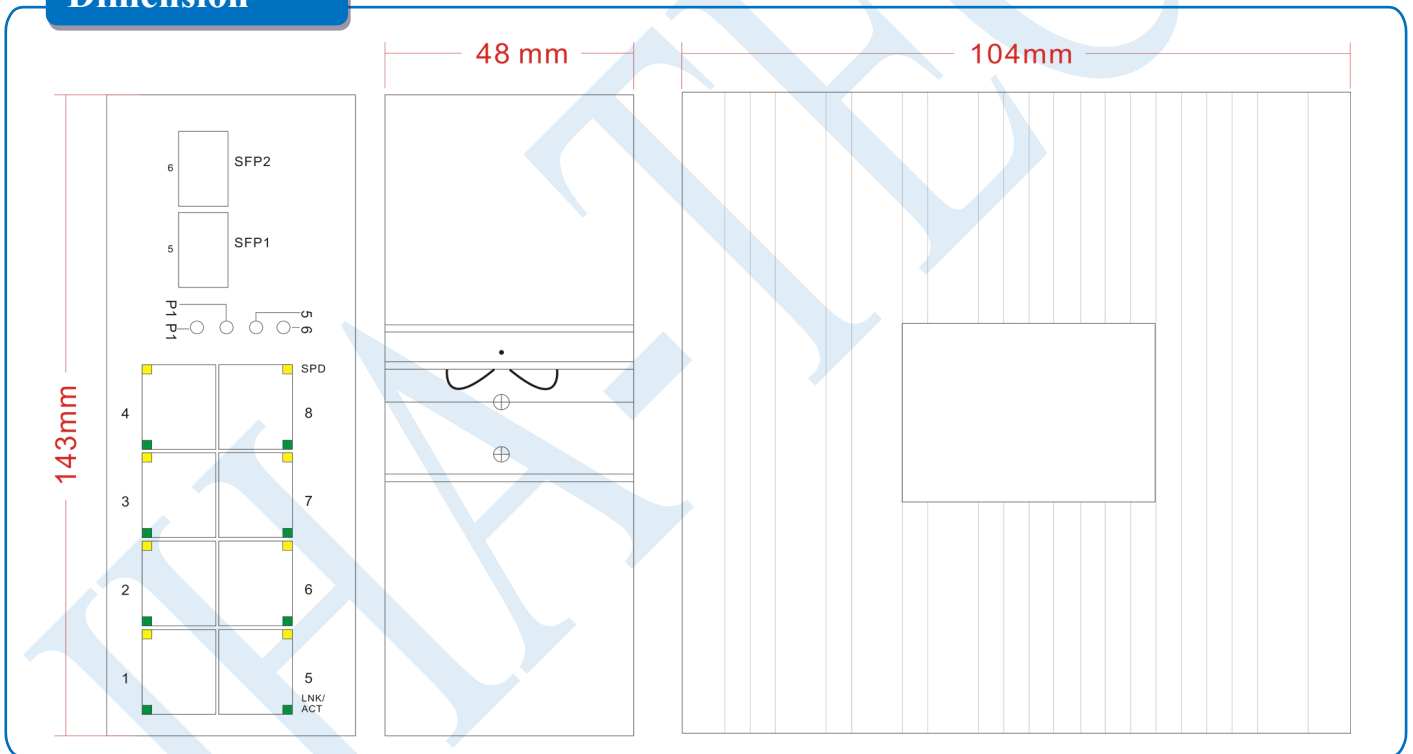
JHA-MIGS28 is a high performance, cost-effective high-end managed industrial Ethernet switch. The switch provides 8 10/100/1000Base-T(X) Ethernet port and 2 1000Base-X SFP slot. The use of a Ring technology (network fault recovery <20ms) the user can easily set the redundant ring network to increase network reliability, it also support WEB, CLI, Telnet/serial console, Windows utility, and SNMP management of a variety of ways, rich QoS features for data traffic control and management, support ring protocol, RSTP and STP Ethernet redundancy support port-based VLAN, IEEE 802.1Q VLAN and GVRP protocol. The product also industrial design, and can be widely used in automotive PIS, CCTV, video surveillance systems, train control system, but also applies to any vibration shock, EMC compatibility requirements of harsh industrial applications, can meet a variety of industrial site requirements to achieve higher reliability.

## Specification

<b>Protocol Standard</b>	G.8032(ERPS), IEEE802.3, IEEE802.3u, IEEE802.3z, IEEE802.3x, IEEE802.3ad, IEEE802.3ab, IEEE802.1p, IEEE802.1x, IEEE802.1Q, IGMP Snooping, IPv4/IPv6 precedence
<b>Switching Performance</b>	Forwarding Rate: 26.7Mpps Transmission Mode: Store and Forward Packet Buffer Size: 8M Backplane Bandwidth: 24Gbps MAC Table Size: 16K Priority Queues: 8 Delay Time: < 10μs
<b>Ring Network Management</b>	Bandwidth Management: outbound port speed, speed limit particle size: 0 - 1G, step 100kbps. Expanding Ring Back: based on port, support link aggregation/LACP, support load balancing, support port protection, Spanning Tree Protocol: STP, RSTP, MSTP. System Upgrade: support under BOOTROM Xmodem/TFTP upgrade, support for system files and upload and upgrade configuration files. User Management: hierarchical user and password protection, port septum away, broken fiber alarm, power failure alarm. System Maintenance: the optical module diagnostics, ping, port system count, support ERPS, ring protection switching time<20ms, with QOS traffic classification, priority level of trust, SP, WRR queue scheduling, support streaming strategies, suppression, support SNMP network pipe, support CLI/SNMP/WEB management, support Console and Telnet command line management, and syslog
<b>Ethernet Port</b>	10/100/1000Base-T(X) auto speed control, full/half duplex and MDI/MDI-X auto-adaptation
<b>Fiber Port</b>	1000Base-X SFP slot
<b>LED Indicator</b>	Power Indicator: PWR Port Indicator: LINK / ACT
<b>Power Supply</b>	Input Voltage: DC10-58V Connector: 6 bit 5.08mm removable terminal block Full Load: <10W Protection Mechanism: overload protection, reverse connection protection, redundancy protection
<b>Mechanical Structure</b>	Shell: IP40 protection, aluminum alloy housing Dimension: 143*104*48mm( L*W*H ) Weight: 550g Installation: DIN-Rail mounting, wall mounting
<b>Operating Environment</b>	Operating Temperature: -40-85°C Storage Temperature: -40-85°C

	Ambient Relative Humidity: 5%-95% (non-condensing)
<b>Industry Standards</b>	EMI:FCC Part 15 Subpart B Class A, EN 55022 Class A EMS:EN61000-4-2 (ESD), Level 4 at 15kV(Air), 8kV(Contact) EN61000-4-3 (R/S), Level 3 at 10V/m EN61000-4-4 (EFT), Level 4 at 4kV(Power Port), 2kV(Date Port) EN61000-4-5 (Surge), Level 4 at 4kV EN61000-4-6 (CS), Level 3 at 10V/m EN61000-4-8, Level 5 at 100A/m Shock:IEC 60068-2-27 Free Fall:IEC 60068-2-32 Vibration:IEC 60068-2-6
<b>Certification</b>	CE, FCC, RoHS
<b>MTBF</b>	>100,000 Hours
<b>Warranty</b>	5-years

### Dimension



### Order Information

Model No.	Description of Goods
JHA-MIGS28	Managed Industrial Ethernet Switch, 2 1000Base-X SFP Slot and 8 10/100/1000Base-T(X), DIN-Rail, DC10-58V, -40-85° C Operating Temperature
<b>Power Supply:</b> DC24V DIN-Rail Power Supply or Power Adapter is Optional.	



## JHA-MIGS48 Series

12-port Managed Industrial Ethernet Switch, with 4 1000Base-X SFP Slot and 8 10/100/1000Base-T(X) Ethernet Port

### Features



- Support 4 1000Base-X SFP slot and 8 10/100/1000Base-T(X) Ethernet port.
- Support G.8032(ERPS), IEEE802.3, IEEE802.3u, IEEE802.3z, IEEE802.3x, IEEE802.3ad, IEEE802.3ab, IEEE802.1p, IEEE802.1x, IEEE802.1Q, IGMP Snooping, IPv4/IPv6 precedence.
- Support CLI, SNMP, WEB management, Console/Telnet command-line management and syslog, using self-developed ring network technology, recovery time <20ms.
- DC10-58V redundancy power, reverse polarity protection.
- Industrial grade 4 design, -40-85°C operating temperature.
- IP40 rated aluminum alloy housing, DIN-Rail mounted.

### Introduction

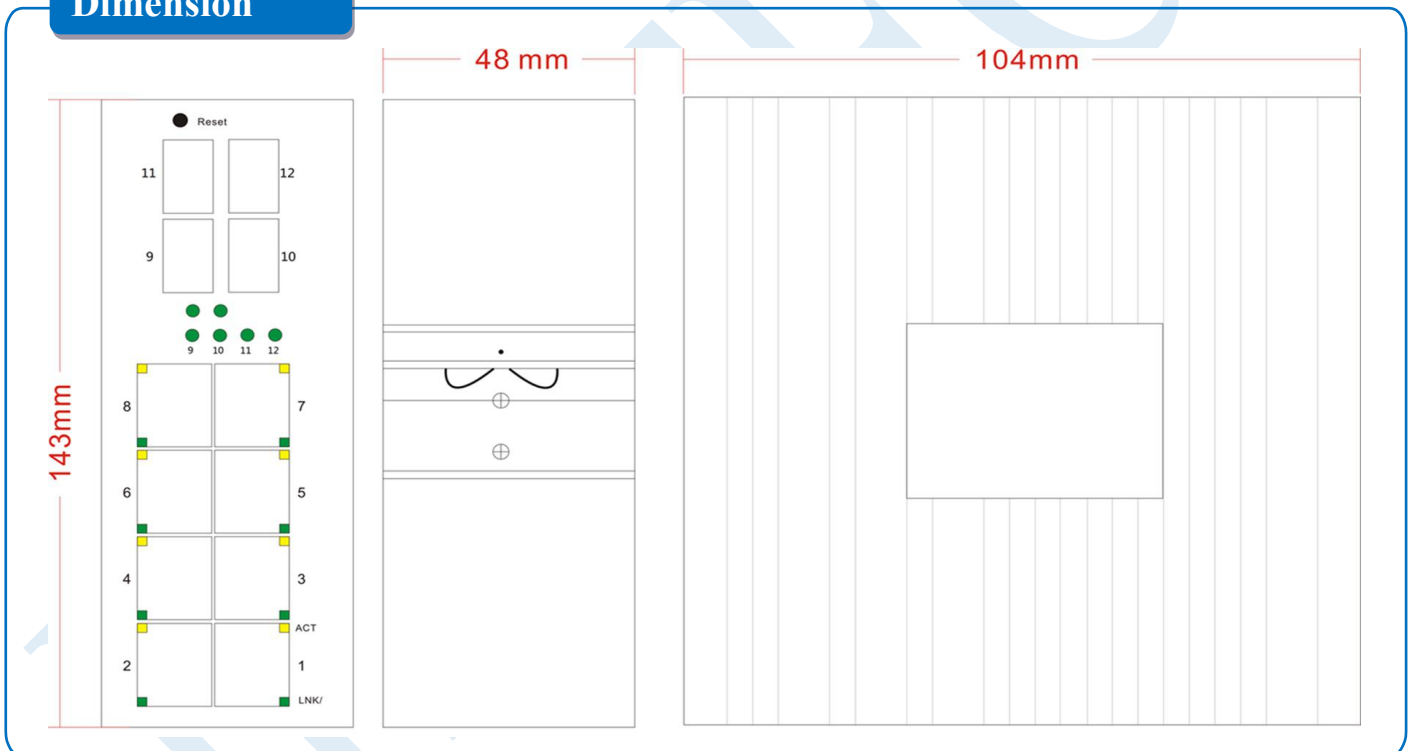
JHA-MIGS48 is a high performance, cost-effective high-end managed industrial Ethernet switch. The switch provides 8 10/100/1000Base-T(X) Ethernet port and 4 1000Base-X SFP slot. The use of a Ring technology (network fault recovery <20ms) the user can easily set the redundant ring network to increase network reliability, it also support WEB, CLI, Telnet/serial console, Windows utility, and SNMP management of a variety of ways, rich QoS features for data traffic control and management, support ring protocol, RSTP and STP Ethernet redundancy support port-based VLAN, IEEE 802.1Q VLAN and GVRP protocol. The product also industrial design, and can be widely used in automotive PIS, CCTV, video surveillance systems, train control system, but also applies to any vibration shock, EMC compatibility requirements of harsh industrial applications, can meet a variety of industrial site requirements to achieve higher reliability.

## Specification

<b>Protocol Standard</b>	G.8032(ERPS), IEEE802.3, IEEE802.3u, IEEE802.3z, IEEE802.3x, IEEE802.3ad, IEEE802.3ab, IEEE802.1p, IEEE802.1x, IEEE802.1Q, IGMP Snooping, IPv4/IPv6 precedence
<b>Switching Performance</b>	Forwarding Rate: 26.7Mpps Transmission Mode: Store and Forward Packet Buffer Size: 12M Backplane Bandwidth: 24Gbps MAC Table Size: 16K Priority Queues: 8 Delay Time: < 10μs
<b>Ring Network Management</b>	Bandwidth Management: outbound port speed, speed limit particle size: 0 - 1G, step 100kbps Expanding Ring Back: based on port, support link aggregation/LACP, support load balancing, support port protection, Spanning Tree Protocol: STP, RSTP, MSTP System Upgrade: support under BOOTROM Xmodem/TFTP upgrade, support for system files and upload and upgrade configuration files User Management: hierarchical user and password protection, port septum away, broken fiber alarm, power failure alarm System Maintenance: the optical module diagnostics, ping, port system count, support ERPS, ring protection switching time<20ms, with QOS traffic classification, priority level of trust, SP, WRR queue scheduling, support streaming strategies, suppression, support SNMP network pipe, support CLI/SNMP/WEB management, support Console and Telnet command line management and syslog
<b>Ethernet Port</b>	10/100/1000Base-T(X) auto speed control, full/half duplex and MDI/MDI-X auto-adaptation
<b>Fiber Port</b>	1000Base-X SFP slot
<b>LED Indicator</b>	Power Indicator: PWR Port Indicator: LINK / ACT
<b>Power Supply</b>	Input Voltage: DC10-58V Connector: 6 bit 5.08mm removable terminal block Full Load: <10W Protection Mechanism: overload protection, reverse connection protection, redundancy protection
<b>Mechanical Structure</b>	Shell: IP40 protection, aluminum alloy housing Dimension: 143*104*48mm( L*W*H ) Weight: 600g Installation: DIN-Rail mounting, wall mounting
<b>Operating Environment</b>	Operating Temperature: -40-85°C Storage Temperature: -40-85°C

	Ambient Relative Humidity: 5%-95% (non-condensing)
<b>Industry Standards</b>	EMI:FCC Part 15 Subpart B Class A, EN 55022 Class A EMS:EN61000-4-2 (ESD), Level 4 at 15kV(Air), 8kV(Contact) EN61000-4-3 (R/S), Level 3 at 10V/m EN61000-4-4 (EFT), Level 4 at 4kV(Power Port), 2kV(Date Port) EN61000-4-5 (Surge), Level 4 at 4kV EN61000-4-6 (CS), Level 3 at 10V/m EN61000-4-8, Level 5 at 100A/m Shock:IEC 60068-2-2 Free Fall:IEC 60068-2-32 Vibration:IEC 60068-2-6
<b>Certification</b>	CE, FCC, RoHS
<b>MTBF</b>	>100,000 Hours
<b>Warranty</b>	5-years

### Dimension



### Order Information

Model No.	Description of Goods
JHA-MIGS48	Managed Industrial Ethernet Switch, 4 1000Base-X SFP Slot and 8 10/100/1000Base-T(X), DIN-Rail, DC10-58V, -40-85° C Operating Temperature
<b>Power Supply:</b> DC24V DIN-Rail Power Supply or Power Adapter is Optional.	

## JHA-IF05P Series

5-port Unmanaged Industrial PoE Switch, with 4 10/100Base-T(X) IEEE802.3af/at PoE/PoE+ Port and 1 10/100Base-T(X) Ethernet Port

### Features



- Support 4 10/100Base-T(X) PoE/PoE+ port and 1 10/100Base-T(X) Ethernet port.
- Support IEEE802.3, IEEE802.3u, IEEE802.3x, IEEE802.3af/at.
- Support IEEE802.3af, maximum 15.4W power supply.
- Support IEEE802.3at, maximum 30W power supply.
- Industrial chip design, 15kV ESD protection, 8kV surge protection.
- DC48-58V redundancy power, reverse polarity protection.
- Industrial grade 4 design, -40-85° C operating temperature.
- IP40 rated aluminum alloy housing, DIN-Rail mounted.

### Introduction

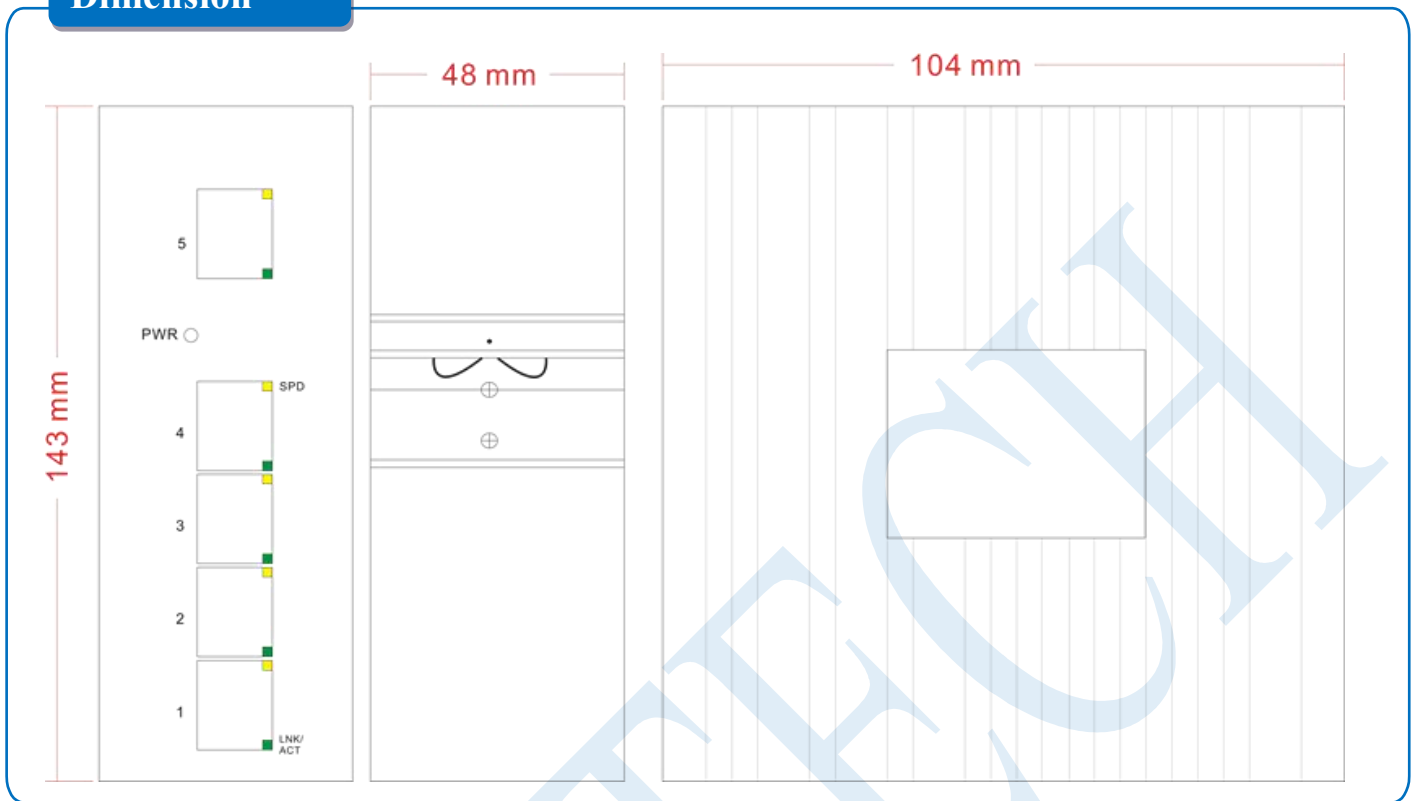
JHA-IF05P is a plug-and-play unmanaged industrial PoE switch. This switch provides 5 10/100Base-T(X) Ethernet port, which 4-port support Power-over-Ethernet (PoE) function (IEEE802.3af/at). The switches are classified as power source equipment (PSE), and when used in this way, the switches enable centralization of the power supply, providing up to 30 watts of power per port and reducing the effort needed for installing power. The switches can be used to power IEEE802.3af/at standard devices (PD), eliminating the need for additional wiring.

JHA-IF05P support CE, FCC, RoHS standard, adopt industry standard design, IP40 protection, rugged high-strength metal case, power input (DC48-58V). The switch support IEEE802.3, IEEE802.3u, IEEE802.3x with 10/100Base-T(X), full/half-duplex, and MDI/MDI-X auto-adaptation, the -40-85 °C operating temperature, can meet all kinds of industrial environment requirement, providing reliable and economic solution for your industrial Ethernet network.

## Specification

<b>Protocol Standard</b>	IEEE802.3, IEEE802.3u, IEEE802.3x, IEEE802.3af/at
<b>Flow Control</b>	IEEE802.3x flow control, back press flow control
<b>Switching Performance</b>	Forwarding Rate: 1.19Mpps Transmission Mode: Store and Forward Packet Buffer Size: 512K System Exchange Bandwidth: 1.6Gbps MAC Table Size: 1K Delay Time: < 3μs
<b>Ethernet Port</b>	10/100Base-T(X) auto speed control, half/full duplex and MDI/MDI-X auto-adaptation
<b>PoE</b>	Pin-out: 1/2(+), 3/6(-), IEEE802.3af max 15.4w, IEEE802.3at max 30w.
<b>LED Indicator</b>	Power Indicator: P1, P2
	Port Indicator: LINK / ACT
<b>Power Supply</b>	Input Voltage: DC48-58V Connector: 6 bit 5.08mm removable terminal block Full Load: <3W Protection Mechanism: overload protection, reverse connection protection, redundancy protection
<b>Mechanical Structure</b>	Shell: IP40 protection, aluminum alloy housing Dimension: 143*104*48mm( L*W*H ) Weight: 500g Installation: DIN-Rail mounting, wall mounting
<b>Operating Environment</b>	Operating Temperature: -40-85°C Storage Temperature: -40-85°C Ambient Relative Humidity: 5%-95% (non-condensing)
<b>Industry Standards</b>	EMI:FCC Part 15 Subpart B Class A, EN 55022 Class A EMS:EN61000-4-2 (ESD), Level 4 at 15kV(Air), 8kV(Contact) EN61000-4-3 (R/S), Level 3 at 10V/m EN61000-4-4 (EFT), Level 4 at 4kV(Power Port), 2kV(Date Port) EN61000-4-5 (Surge), Level 4 at 4kV EN61000-4-6 (CS), Level 3 at 10V/m EN61000-4-8, Level 5 at 100A/m Shock:IEC 60068-2-27 Free Fall:IEC 60068-2-32 Vibration:IEC 60068-2-6
<b>Certification</b>	CE, FCC, RoHS
<b>MTBF</b>	>100,000 Hours
<b>Warranty</b>	5-years

**Dimension**



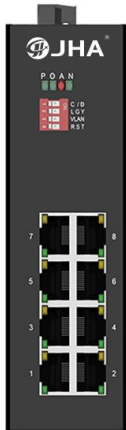
**Order Information**

Model No.	Description of Goods
JHA-IF05P	Unmanaged Industrial PoE Switch, 4 10/100Base-T(X) PoE/PoE+ and 1 10/100Base-T(X), DIN-Rail, DC48-58V, -40-85° C Operating Temperature
<b>Power Supply:</b> DC48V DIN-Rail Power Supply or Power Adapter is Optional.	

## JHA-IF08P Series

8-port Unmanaged Industrial PoE Switch, with 8 10/100Base-T(X)  
IEEE802.3af/at PoE/PoE+ Port

### Features



- Support 8 10/100Base-T(X) PoE/PoE+ port.
- Support IEEE802.3, IEEE802.3u, IEEE802.3x, IEEE802.3af/at.
- Support IEEE802.3af, maximum 15.4W power supply.
- Support IEEE802.3at, maximum 30W power supply.
- Industrial chip design, 15kV ESD protection, 8kV surge protection.
- DC48-58V redundancy power, reverse polarity protection.
- Industrial grade 4 design, -40-85° C operating temperature.
- IP40 rated aluminum alloy housing, DIN-Rail mounted.

### Introduction

JHA-IF08P is a plug-and-play unmanaged industrial PoE switch. This switch provides 8 10/100Base-T(X) Ethernet port, which support Power-over-Ethernet (PoE) function (IEEE802.3af/at). The switches are classified as power source equipment (PSE), and when used in this way, the switches enable centralization of the power supply, providing up to 30 watts of power per port and reducing the effort needed for installing power. The switches can be used to power IEEE802.3af/at standard devices (PD), eliminating the need for additional wiring.

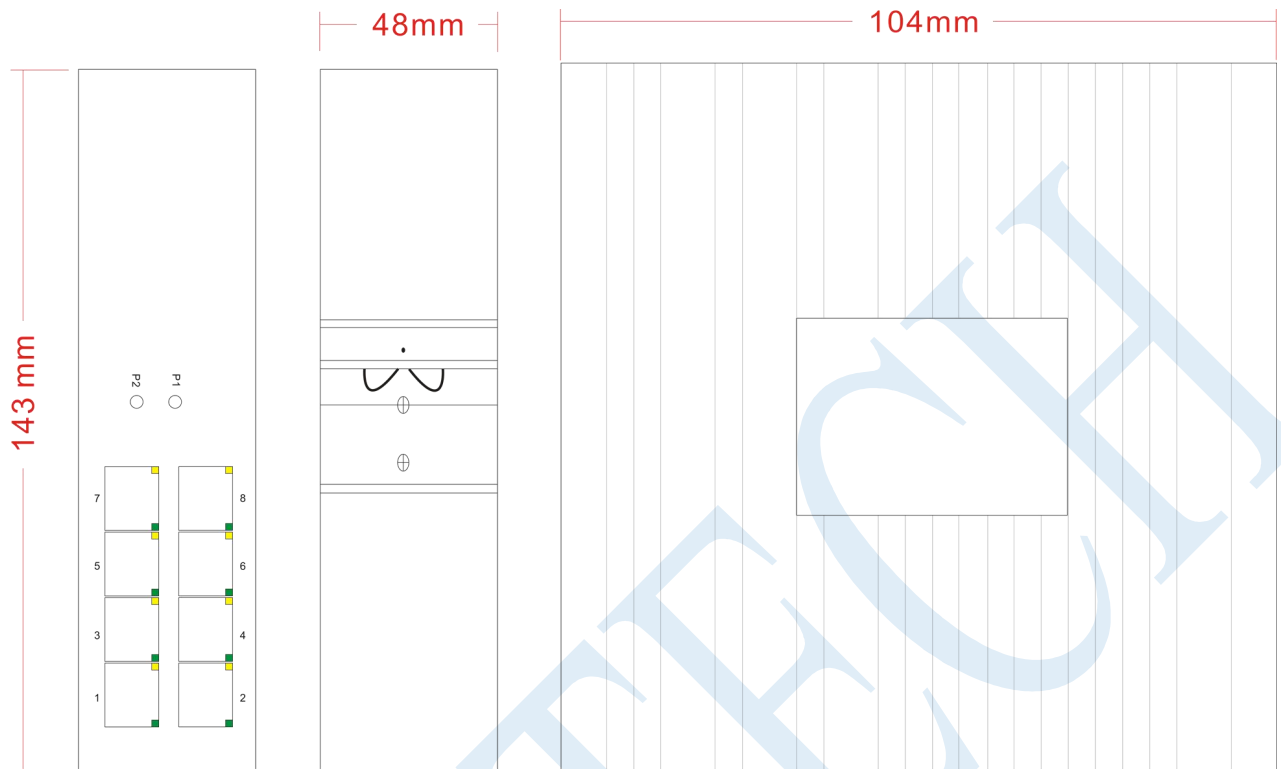
JHA-IF08P support CE, FCC, RoHS standard, adopt industry standard design, IP40 protection, rugged high-strength metal case, power input (DC48-58V). The switch support IEEE802.3, IEEE802.3u, IEEE802.3x with 10/100Base-T(X), full/half-duplex, and MDI/MDI-X auto-adaptation, the -40-85 °C operating temperature, can meet all kinds of industrial environment requirement, providing reliable and economic solution for your industrial Ethernet network.

## Specification

<b>Protocol Standard</b>	IEEE802.3, IEEE802.3u, IEEE802.3x, IEEE802.3af/at
<b>Flow Control</b>	IEEE802.3x flow control, back press flow control
<b>Switching Performance</b>	Forwarding Rate: 1.19Mpps Transmission Mode: Store and Forward Packet Buffer Size: 512K Backplane Bandwidth: 1.6Gbps MAC Table Size: 1K Delay Time: < 3μs
<b>Ethernet Port</b>	10/100Base-T(X) auto speed control, half/full duplex and MDI/MDI-X auto-adaptation
<b>PoE</b>	Pin-out: 1/2(+), 3/6(-), IEEE802.3af max 15.4w, IEEE802.3at max 30w.
<b>LED Indicator</b>	Power Indicator: P1, P2 Port Indicator: LINK / ACT
<b>Power Supply</b>	Input Voltage: DC48-58V Connector: 6 bit 5.08mm removable terminal block Full Load: <5W Protection Mechanism: overload protection, reverse connection protection, redundancy protection
<b>Mechanical Structure</b>	Shell: IP40 protection, aluminum alloy housing Dimension: 143*104*48mm( L*W*H ) Weight: 550g Installation: DIN-Rail mounting, wall mounting
<b>Operating Environment</b>	Operating Temperature: -40-85°C Storage Temperature: -40-85°C Ambient Relative Humidity: 5%-95% (non-condensing)
<b>Industry Standards</b>	EMI:FCC Part 15 Subpart B Class A, EN 55022 Class A EMS:EN61000-4-2 (ESD), Level 4 at 15kV(Air), 8kV(Contact) EN61000-4-3 (R/S), Level 3 at 10V/m EN61000-4-4 (EFT), Level 4 at 4kV(Power Port), 2kV(Date Port) EN61000-4-5 (Surge), Level 4 at 4kV EN61000-4-6 (CS), Level 3 at 10V/m EN61000-4-8, Level 5 at 100A/m Shock:IEC 60068-2-27 Free Fall:IEC 60068-2-32 Vibration:IEC 60068-2-6
<b>Certification</b>	CE, FCC, RoHS
<b>MTBF</b>	>100,000 Hours
<b>Warranty</b>	5-years



**Dimension**



**Order Information**

Model No.	Description of Goods
JHA-IF08P	Unmanaged Industrial PoE Switch, 8 10/100Base-T(X) PoE/PoE+, DIN-Rail, DC48-58V, -40-85° C Operating Temperature
<b>Power Supply:</b> DC48V DIN-Rail Power Supply or Power Adapter is Optional.	

## JHA-IF11P Series

2-port Unmanaged Industrial PoE Switch, with 1 10/100Base-T(X)  
IEEE802.3af/at PoE/PoE+ Port and 1 100Base-FX Fiber Port

### Features



- Support 1 10/100Base-T(X) PoE/PoE+ port and 1 100Base-FX fiber port.
- Support IEEE802.3, IEEE802.3u, IEEE802.3x, IEEE802.3af/at.
- Support IEEE802.3af, maximum 15.4W power supply.
- Support IEEE802.3at, maximum 30W power supply.
- Industrial chip design, 15kV ESD protection, 8kV surge protection.
- DC48-58V redundancy power, reverse polarity protection.
- Industrial grade 4 design, -40-85° C operating temperature.
- IP40 rated aluminum alloy housing, DIN-Rail mounted.

### Introduction

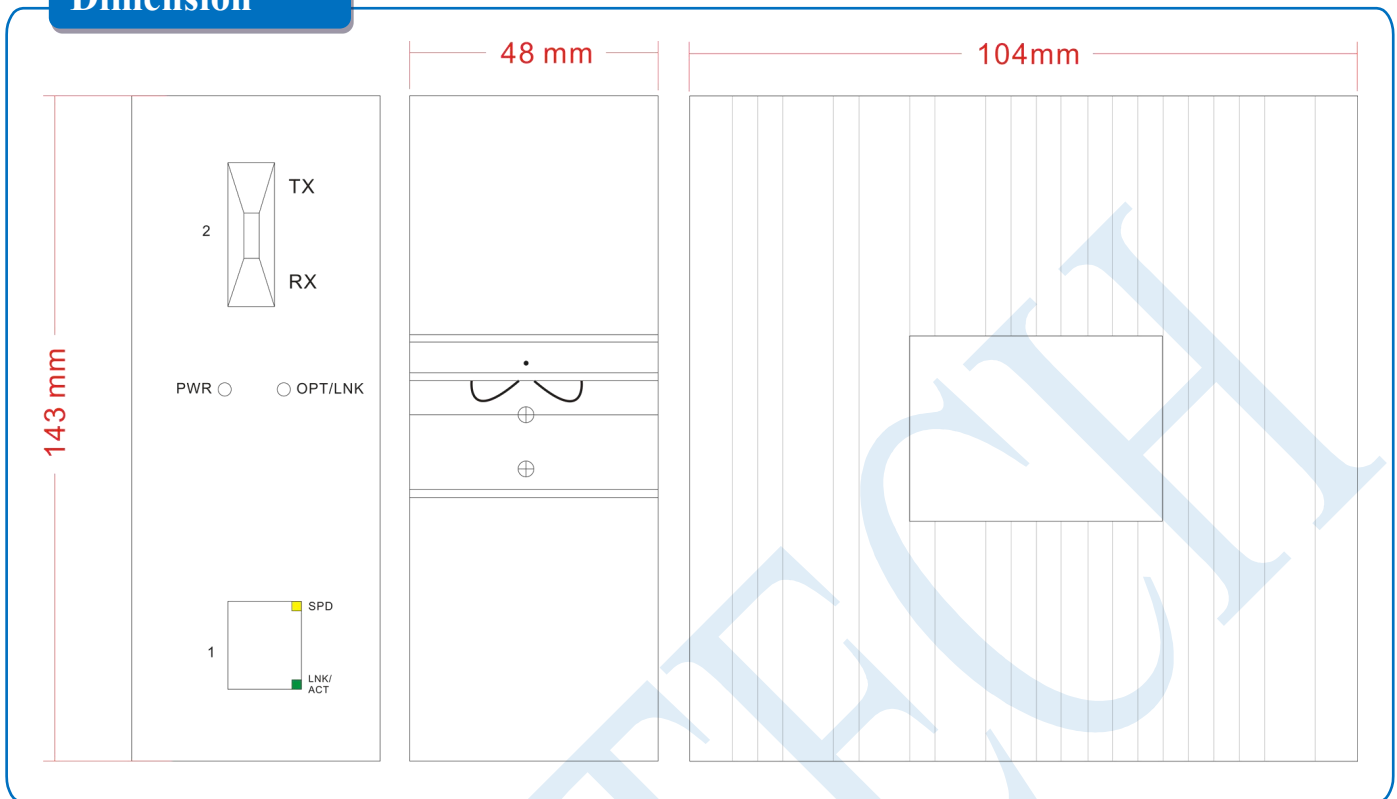
JHA-IF11P is a plug-and-play unmanaged industrial PoE switch. This switch provides 1 10/100Base-T(X) Ethernet port and 1 100Base-FX fiber port, the Ethernet port support Power-over-Ethernet (PoE) function. The switches are classified as power source equipment (PSE), and when used in this way, the switches enable centralization of the power supply, providing up to 30 watts of power per port and reducing the effort needed for installing power. The switches can be used to power IEEE802.3af/at standard devices (PD), eliminating the need for additional wiring.

JHA-IF11P support CE, FCC, RoHS standard, adopt industry standard design, IP40 protection, rugged high-strength metal case, power input (DC48-58V). The switch support IEEE802.3, IEEE802.3u, IEEE802.3x with 10/100Base-T(X), full/half-duplex, and MDI/MDI-X auto-adaptation, the -40-85 °C operating temperature, can meet all kinds of industrial environment requirement, providing reliable and economic solution for your industrial Ethernet network.

## Specification

<b>Protocol Standard</b>	IEEE802.3, IEEE802.3u, IEEE802.3x, IEEE802.3af/at
<b>Flow Control</b>	IEEE802.3x flow control, back press flow control
<b>Switching Performance</b>	Forwarding Rate: 0.744Mpps Transmission Mode: Store and Forward Packet Buffer Size: 512K Backplane Bandwidth: 1Gbps MAC Table Size: 1K Delay Time: < 3μs
<b>Ethernet Port</b>	10/100Base-T(X) auto speed control, half/full duplex and MDI/MDI-X auto-adaptation
<b>Fiber Port</b>	100Base-FX fiber port
<b>PoE</b>	Pin-out: 1/2(+), 3/6(-), IEEE802.3af max 15.4w, IEEE802.3at max 30w.
<b>LED Indicator</b>	Power Indicator: PWR Port Indicator: LINK / ACT
<b>Power Supply</b>	Input Voltage: DC48-58V Connector: 6 bit 5.08mm removable terminal block Full Load: <4W Protection Mechanism: overload protection, reverse connection protection, redundancy protection
<b>Mechanical Structure</b>	Shell: IP40 protection, aluminum alloy housing Dimension: 143*104*48mm( L*W*H ) Weight: 500g Installation: DIN-Rail mounting, wall mounting
<b>Operating Environment</b>	Operating Temperature: -40-85°C Storage Temperature: -40-85°C Ambient Relative Humidity: 5%-95% (non-condensing)
<b>Industry Standards</b>	EMI:FCC Part 15 Subpart B Class A, EN 55022 Class A EMS:EN61000-4-2 (ESD), Level 4 at 15kV(Air), 8kV(Contact) EN61000-4-3 (R/S), Level 3 at 10V/m EN61000-4-4 (EFT), Level 4 at 4kV(Power Port), 2kV(Date Port) EN61000-4-5 (Surge), Level 4 at 4kV EN61000-4-6 (CS), Level 3 at 10V/m EN61000-4-8, Level 5 at 100A/m Shock:IEC 60068-2-27 Free Fall:IEC 60068-2-32 Vibration:IEC 60068-2-6
<b>Certification</b>	CE, FCC, RoHS
<b>MTBF</b>	>100,000 Hours
<b>Warranty</b>	5-years

### Dimension



### Order Information

Model No.	Description of Goods
JHA-IF11P	Unmanaged Industrial PoE Switch, 1 10/100Base-T(X) PoE/PoE+ and 1 100Base-FX, SC Connector, Multimode, Dual Fiber, 2Km, DIN-Rail, DC48-58V, -40-85° C Operating Temperature
JHA-IF11P-20	Unmanaged Industrial PoE Switch, 1 10/100Base-T(X) PoE/PoE+ and 1 100Base-FX, SC Connector, Single Mode, Dual Fiber, 20Km, DIN-Rail, DC48-58V, -40-85° C Operating Temperature
JHA-IF11WP-20	Unmanaged Industrial PoE Switch, 1 10/100Base-T(X) PoE/PoE+ and 1 100Base-FX, SC Connector, Single Mode, Single Fiber, 20Km, DIN-Rail, DC48-58V, -40-85° C Operating Temperature
JHA-IFS11P	Unmanaged Industrial PoE Switch, 1 10/100Base-T(X) PoE/PoE+ and 1 100Base-X SFP Slot, DIN-Rail, DC48-58V, -40-85° C Operating Temperature

**Fiber Connector:** SC/ST/FC/LC(SFP Slot), Single Mode/Multimode, Dual Fiber/Single Fiber, 2Km/20Km/40Km/60Km/80Km/100Km/120Km is Optional.

**Power Supply:** DC48V DIN-Rail Power Supply or Power Adapter is Optional.

## JHA-IF12P Series

3-port Unmanaged Industrial PoE Switch, with 2 10/100Base-T(X)  
IEEE802.3af/at PoE/PoE+ Port and 1 100Base-FX Fiber Port

### Features



- Support 2 10/100Base-T(X) PoE/PoE+ port and 1 100Base-FX fiber port.
- Support IEEE802.3, IEEE802.3u, IEEE802.3x, IEEE802.3af/at.
- Support IEEE802.3af, maximum 15.4W power supply.
- Support IEEE802.3at, maximum 30W power supply.
- Industrial chip design, 15kV ESD protection, 8kV surge protection.
- DC48-58V redundancy power, reverse polarity protection.
- Industrial grade 4 design, -40-85° C operating temperature.
- IP40 rated aluminum alloy housing, DIN-Rail mounted.

### Introduction

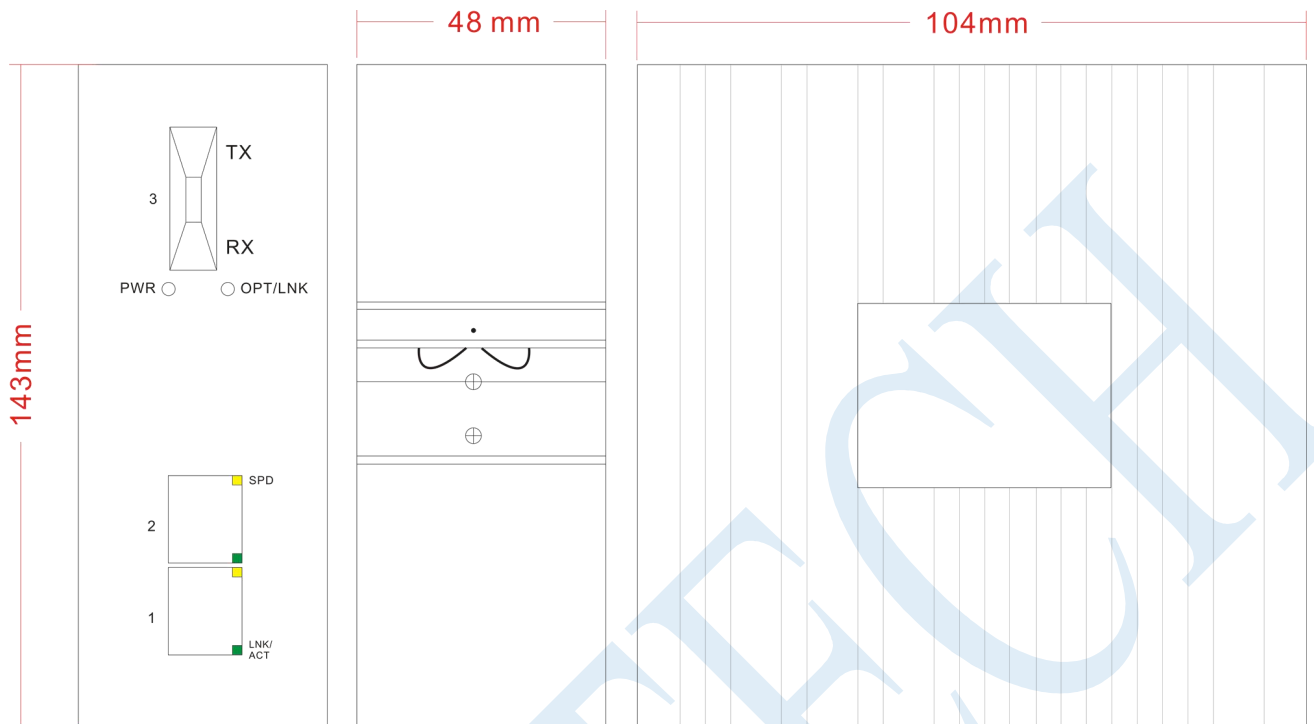
JHA-IF12P is a plug-and-play unmanaged industrial PoE switch. This switch provides 2 10/100Base-T(X) Ethernet port and 1 100Base-FX fiber port, the Ethernet port support Power-over-Ethernet (PoE) function. The switches are classified as power source equipment (PSE), and when used in this way, the switches enable centralization of the power supply, providing up to 30 watts of power per port and reducing the effort needed for installing power. The switches can be used to power IEEE802.3af/at standard devices (PD), eliminating the need for additional wiring.

JHA-IF12P support CE, FCC, RoHS standard, adopt industry standard design, IP40 protection, rugged high-strength metal case, power input (DC48-58V). The switch support IEEE802.3, IEEE802.3u, IEEE802.3x with 10/100Base-T(X), full/half-duplex, and MDI/MDI-X auto-adaptation, the -40-85 °C operating temperature, can meet all kinds of industrial environment requirement, providing reliable and economic solution for your industrial Ethernet network.

## Specification

<b>Protocol Standard</b>	IEEE802.3, IEEE802.3u, IEEE802.3x, IEEE802.3af/at
<b>Flow Control</b>	IEEE802.3x flow control, back press flow control
<b>Switching Performance</b>	Forwarding Rate: 0.744Mpps Transmission Mode: Store and Forward Packet Buffer Size: 512K Backplane Bandwidth: 1Gbps MAC Table Size: 1K Delay Time: < 3μs
<b>Ethernet Port</b>	10/100Base-T(X) auto speed control, half/full duplex and MDI/MDI-X auto-adaptation
<b>Fiber Port</b>	100Base-FX fiber port
<b>PoE</b>	Pin-out: 1/2(+), 3/6(-), IEEE802.3af max 15.4w, IEEE802.3at max 30w.
<b>LED Indicator</b>	Power Indicator: PWR Port Indicator: LINK / ACT
<b>Power Supply</b>	Input Voltage: DC48-58V Connector: 6 bit 5.08mm removable terminal block Full Load: <4W Protection Mechanism: overload protection, reverse connection protection, redundancy protection
<b>Mechanical Structure</b>	Shell: IP40 protection, aluminum alloy housing Dimension: 143*104*48mm( L*W*H ) Weight: 500g Installation: DIN-Rail mounting, wall mounting
<b>Operating Environment</b>	Operating Temperature: -40-85°C Storage Temperature: -40-85°C Ambient Relative Humidity: 5%-95% (non-condensing)
<b>Industry Standards</b>	EMI:FCC Part 15 Subpart B Class A, EN 55022 Class A EMS:EN61000-4-2 (ESD), Level 4 at 15kV(Air), 8kV(Contact) EN61000-4-3 (R/S), Level 3 at 10V/m EN61000-4-4 (EFT), Level 4 at 4kV(Power Port), 2kV(Date Port) EN61000-4-5 (Surge), Level 4 at 4kV EN61000-4-6 (CS), Level 3 at 10V/m EN61000-4-8, Level 5 at 100A/m Shock:IEC 60068-2-27 Free Fall:IEC 60068-2-32 Vibration:IEC 60068-2-6
<b>Certification</b>	CE, FCC, RoHS
<b>MTBF</b>	>100,000 Hours
<b>Warranty</b>	5-years

### Dimension



### Order Information

Model No.	Description of Goods
JHA-IF12P	Unmanaged Industrial PoE Switch, 2 10/100Base-T(X) PoE/PoE+ and 1 100Base-FX, SC Connector, Multimode, Dual Fiber, 2Km, DIN-Rail, DC48-58V, -40-85° C Operating Temperature
JHA-IF12P-20	Unmanaged Industrial PoE Switch, 2 10/100Base-T(X) PoE/PoE+ and 1 100Base-FX, SC Connector, Single Mode, Dual Fiber, 20Km, DIN-Rail, DC48-58V, -40-85° C Operating Temperature
JHA-IF12WP-20	Unmanaged Industrial PoE Switch, 2 10/100Base-T(X) PoE/PoE+ and 1 100Base-FX, SC Connector, Single Mode, Single Fiber, 20Km, DIN-Rail, DC48-58V, -40-85° C Operating Temperature
JHA-IFS12P	Unmanaged Industrial PoE Switch, 2 10/100Base-T(X) PoE/PoE+ and 1 100Base-X SFP Slot, DIN-Rail, DC48-58V, -40-85° C Operating Temperature

**Fiber Connector:** SC/ST/FC/LC(SFP Slot), Single Mode/Multimode, Dual Fiber/Single Fiber, 2Km/20Km/40Km/60Km/80Km/100Km/120Km is Optional.

**Power Supply:** DC48V DIN-Rail Power Supply or Power Adapter is Optional.

## JHA-IF14P Series

5-port Unmanaged Industrial PoE Switch, with 4 10/100Base-T(X) IEEE802.3af/at PoE/PoE+ Port and 1 100Base-FX Fiber Port

### Features



- Support 4 10/100Base-T(X) PoE/PoE+ port and 1 100Base-FX fiber port.
- Support IEEE802.3, IEEE802.3u, IEEE802.3x, IEEE802.3af/at.
- Support IEEE802.3af, maximum 15.4W power supply.
- Support IEEE802.3at, maximum 30W power supply.
- Industrial chip design, 15kV ESD protection, 8kV surge protection.
- DC48-58V redundancy power, reverse polarity protection.
- Industrial grade 4 design, -40-85° C operating temperature.
- IP40 rated aluminum alloy housing, DIN-Rail mounted.

### Introduction

JHA-IF14P is a plug-and-play unmanaged industrial PoE switch. This switch provides 4 10/100Base-T(X) Ethernet port and 1 100Base-FX fiber port, the Ethernet port support Power-over-Ethernet (PoE) function. The switches are classified as power source equipment (PSE), and when used in this way, the switches enable centralization of the power supply, providing up to 30 watts of power per port and reducing the effort needed for installing power. The switches can be used to power IEEE802.3af/at standard devices (PD), eliminating the need for additional wiring.

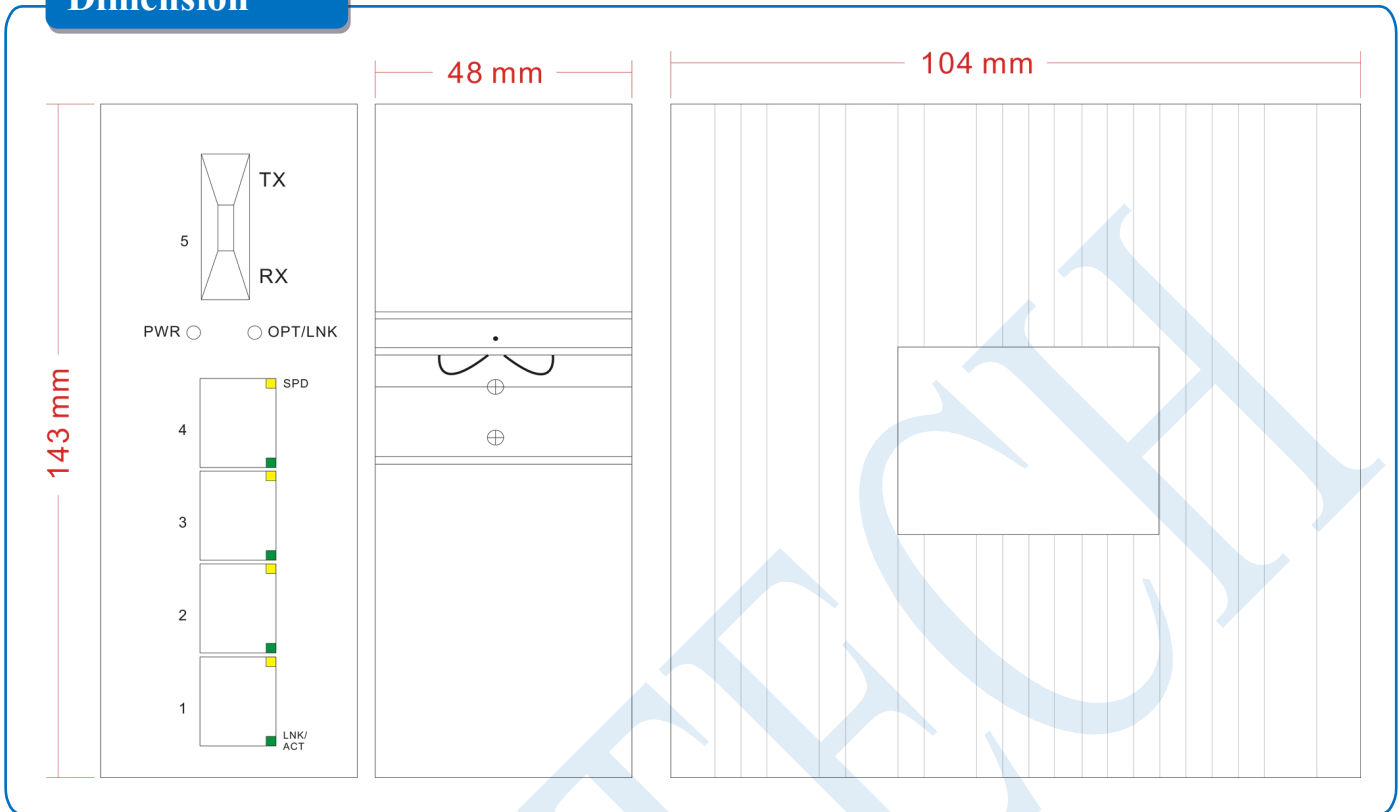
JHA-IF14P support CE, FCC, RoHS standard, adopt industry standard design, IP40 protection, rugged high-strength metal case, power input (DC48-58V). The switch support IEEE802.3, IEEE802.3u, IEEE802.3x with 10/100Base-T(X), full/half-duplex, and MDI/MDI-X auto-adaptation, the -40-85 °C operating temperature, can meet all kinds of industrial environment requirement, providing reliable and economic solution for your industrial Ethernet network.



## Specification

<b>Protocol Standard</b>	IEEE802.3, IEEE802.3u, IEEE802.3x, IEEE802.3af/at
<b>Flow Control</b>	IEEE802.3x flow control, back press flow control
<b>Switching Performance</b>	Forwarding Rate: 0.744Mpps Transmission Mode: Store and Forward Packet Buffer Size: 512K Backplane Bandwidth: 1Gbps MAC Table Size: 1K Delay Time: < 3μs
<b>Ethernet Port</b>	10/100Base-T(X) auto speed control, half/full duplex and MDI/MDI-X auto-adaptation
<b>Fiber Port</b>	100Base-FX fiber port
<b>PoE</b>	Pin-out: 1/2(+), 3/6(-), IEEE802.3af max 15.4w, IEEE802.3at max 30w.
<b>LED Indicator</b>	Power Indicator: PWR Port Indicator: LINK / ACT
<b>Power Supply</b>	Input Voltage: DC48-58V Connector: 6 bit 5.08mm removable terminal block Full Load: <4W Protection Mechanism: overload protection, reverse connection protection, redundancy protection
<b>Mechanical Structure</b>	Shell: IP40 protection, aluminum alloy housing Dimension: 143*104*48mm( L*W*H ) Weight: 500g Installation: DIN-Rail mounting, wall mounting
<b>Operating Environment</b>	Operating Temperature: -40-85°C Storage Temperature: -40-85°C Ambient Relative Humidity: 5%-95% (non-condensing)
<b>Industry Standards</b>	EMI:FCC Part 15 Subpart B Class A, EN 55022 Class A EMS:EN61000-4-2 (ESD), Level 4 at 15kV(Air), 8kV(Contact) EN61000-4-3 (R/S), Level 3 at 10V/m EN61000-4-4 (EFT), Level 4 at 4kV(Power Port), 2kV(Date Port) EN61000-4-5 (Surge), Level 4 at 4kV EN61000-4-6 (CS), Level 3 at 10V/m EN61000-4-8, Level 5 at 100A/m Shock:IEC 60068-2-27 Free Fall:IEC 60068-2-32 Vibration:IEC 60068-2-6
<b>Certification</b>	CE, FCC, RoHS
<b>MTBF</b>	>100,000 Hours
<b>Warranty</b>	5-years

### Dimension



### Order Information

Model No.	Description of Goods
JHA-IF14P	Unmanaged Industrial PoE Switch, 4 10/100Base-T(X) PoE/PoE+ and 1 100Base-FX, SC Connector, Multimode, Dual Fiber, 2Km, DIN-Rail, DC48-58V, -40-85° C Operating Temperature
JHA-IF14P-20	Unmanaged Industrial PoE Switch, 4 10/100Base-T(X) PoE/PoE+ and 1 100Base-FX, SC Connector, Single Mode, Dual Fiber, 20Km, DIN-Rail, DC48-58V, -40-85° C Operating Temperature
JHA-IF14WP-20	Unmanaged Industrial PoE Switch, 4 10/100Base-T(X) PoE/PoE+ and 1 100Base-FX, SC Connector, Single Mode, Single Fiber, 20Km, DIN-Rail, DC48-58V, -40-85° C Operating Temperature
JHA-IFS14P	Unmanaged Industrial PoE Switch, 4 10/100Base-T(X) PoE/PoE+ and 1 100Base-X SFP Slot, DIN-Rail, DC48-58V, -40-85° C Operating Temperature

**Fiber Connector:** SC/ST/FC/LC(SFP Slot), Single Mode/Multimode, Dual Fiber/Single Fiber, 2Km/20Km/40Km/60Km/80Km/100Km/120Km is Optional.

**Power Supply:** DC48V DIN-Rail Power Supply or Power Adapter is Optional.

## JHA-IF26P Series

8-port Unmanaged Industrial PoE Switch, with 6 10/100Base-T(X)  
IEEE802.3af/at PoE/PoE+ Port and 2 100Base-FX Fiber Port

### Features



- Support 6 10/100Base-T(X) PoE/PoE+ port and 2 100Base-FX fiber port.
- Support IEEE802.3, IEEE802.3u, IEEE802.3x, IEEE802.3af/at.
- Support IEEE802.3af, maximum 15.4W power supply.
- Support IEEE802.3at, maximum 30W power supply.
- Industrial chip design, 15kV ESD protection, 8kV surge protection.
- DC48-58V redundancy power, reverse polarity protection.
- Industrial grade 4 design, -40-85° C operating temperature.
- IP40 rated aluminum alloy housing, DIN-Rail mounted.

### Introduction

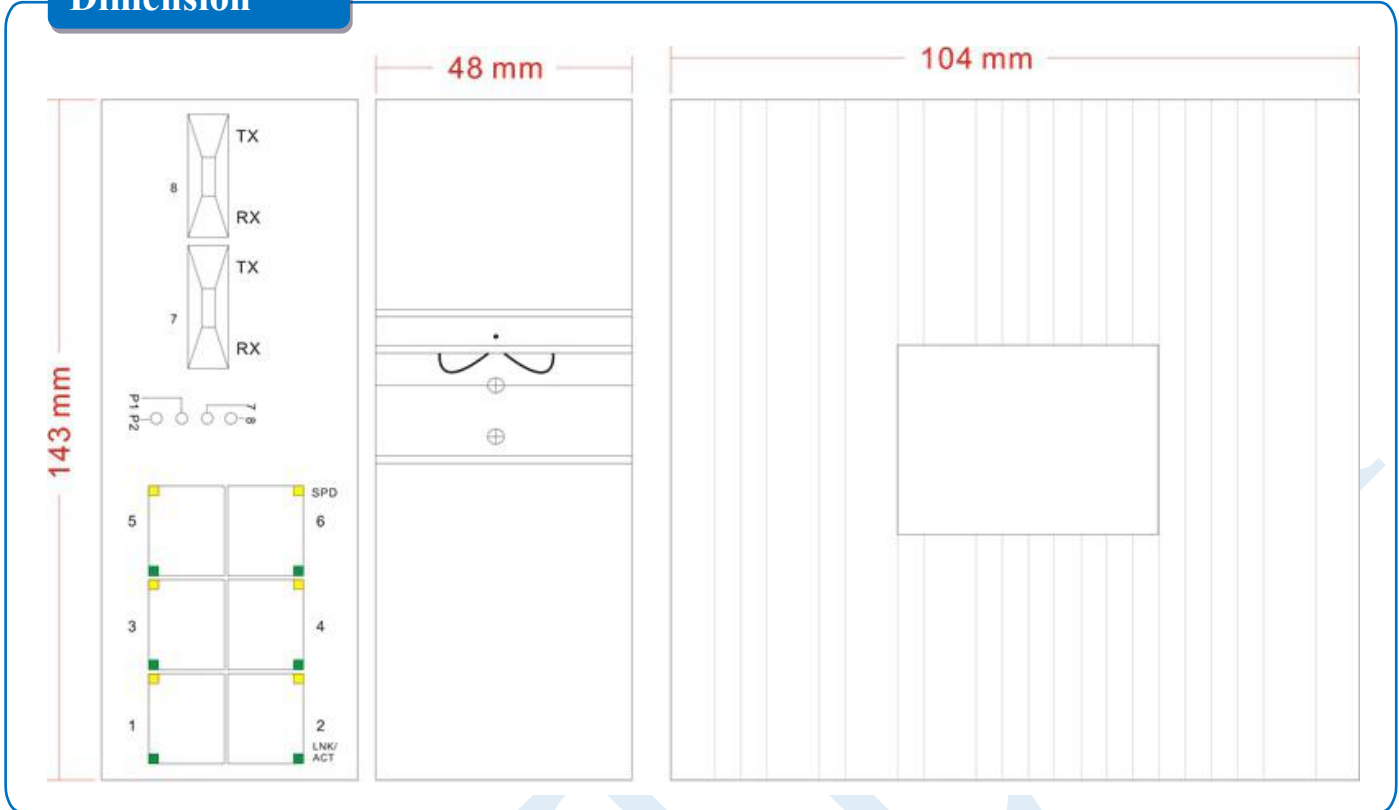
JHA-IF26P is a plug-and-play unmanaged industrial PoE switch. This switch provides 6 10/100Base-T(X) Ethernet port and 2 100Base-FX fiber port, the Ethernet port support Power-over-Ethernet (PoE) function. The switches are classified as power source equipment (PSE), and when used in this way, the switches enable centralization of the power supply, providing up to 30 watts of power per port and reducing the effort needed for installing power. The switches can be used to power IEEE802.3af/at standard devices (PD), eliminating the need for additional wiring.

JHA-IF26P support CE, FCC, RoHS standard, adopt industry standard design, IP40 protection, rugged high-strength metal case, power input (DC48-58V). The switch support IEEE802.3, IEEE802.3u, IEEE802.3x with 10/100Base-T(X), full/half-duplex, and MDI/MDI-X auto-adaptation, the -40-85 °C operating temperature, can meet all kinds of industrial environment requirement, providing reliable and economic solution for your industrial Ethernet network.

## Specification

<b>Protocol Standard</b>	IEEE802.3, IEEE802.3u, IEEE802.3x, IEEE802.3af/at
<b>Flow Control</b>	IEEE802.3x flow control, back press flow control
<b>Switching Performance</b>	Forwarding Rate: 1.19Mpps Transmission Mode: Store and Forward Packet Buffer Size: 512K Backplane Bandwidth: 1.6Gbps MAC Table Size: 1K Delay Time: < 3μs
<b>Ethernet Port</b>	10/100Base-T(X) auto speed control, half/full duplex and MDI/MDI-X auto-adaptation
<b>Fiber Port</b>	100Base-FX fiber port
<b>PoE</b>	Pin-out: 1/2(+), 3/6(-), IEEE802.3af max 15.4w, IEEE802.3at max 30w.
<b>LED Indicator</b>	Power Indicator: PWR Port Indicator: LINK / ACT
<b>Power Supply</b>	Input Voltage: DC48-58V Connector: 6 bit 5.08mm removable terminal block Full Load: <4W Protection Mechanism: overload protection, reverse connection protection, redundancy protection
<b>Mechanical Structure</b>	Shell: IP40 protection, aluminum alloy housing Dimension: 143*104*48mm( L*W*H ) Weight: 550g Installation: DIN-Rail mounting, wall mounting
<b>Operating Environment</b>	Operating Temperature: -40-85°C Storage Temperature: -40-85°C Ambient Relative Humidity: 5%-95% (non-condensing)
<b>Industry Standards</b>	EMI:FCC Part 15 Subpart B Class A, EN 55022 Class A EMS:EN61000-4-2 (ESD), Level 4 at 15kV(Air), 8kV(Contact) EN61000-4-3 (R/S), Level 3 at 10V/m EN61000-4-4 (EFT), Level 4 at 4kV(Power Port), 2kV(Date Port) EN61000-4-5 (Surge), Level 4 at 4kV EN61000-4-6 (CS), Level 3 at 10V/m EN61000-4-8, Level 5 at 100A/m Shock:IEC 60068-2-27 Free Fall:IEC 60068-2-32 Vibration:IEC 60068-2-6
<b>Certification</b>	CE, FCC, RoHS
<b>MTBF</b>	>100,000 Hours
<b>Warranty</b>	5-years

**Dimension**



**Order Information**

Model No.	Description of Goods
JHA-IF26P	Unmanaged Industrial PoE Switch, 6 10/100Base-T(X) PoE/PoE+ and 2 100Base-FX, SC Connector, Multimode, Dual Fiber, 2Km, DIN-Rail, DC48-58V, -40-85° C Operating Temperature
JHA-IF26P-20	Unmanaged Industrial PoE Switch, 6 10/100Base-T(X) PoE/PoE+ and 2 100Base-FX, SC Connector, Single Mode, Dual Fiber, 20Km, DIN-Rail, DC48-58V, -40-85° C Operating Temperature
JHA-IF26WP-20	Unmanaged Industrial PoE Switch, 6 10/100Base-T(X) PoE/PoE+ and 2 100Base-FX, SC Connector, Single Mode, Single Fiber, 20Km, DIN-Rail, DC48-58V, -40-85° C Operating Temperature
JHA-IFS26P	Unmanaged Industrial PoE Switch, 6 10/100Base-T(X) PoE/PoE+ and 2 100Base-X SFP Slot, DIN-Rail, DC48-58V, -40-85° C Operating Temperature

**Fiber Connector:** SC/ST/FC/LC(SFP Slot), Single Mode/Multimode, Dual Fiber/Single Fiber, 2Km/20Km/40Km/60Km/80Km/100Km/120Km is Optional.

**Power Supply:** DC48V DIN-Rail Power Supply or Power Adapter is Optional.

## JHA-IG05P Series

5-port Unmanaged Industrial PoE Switch, with 4 10/100/1000Base-T(X) IEEE802.3af/at PoE/PoE+ Port and 1 10/100/1000Base-T(X) Ethernet Port

### Features



- Support 4 10/100/1000Base-T(X) PoE/PoE+ port and 1 10/100/1000Base-T(X) Ethernet port.
- Support IEEE802.3, IEEE802.3u, IEEE802.3x, IEEE802.3af/at.
- Support IEEE802.3af, maximum 15.4W power supply.
- Support IEEE802.3at, maximum 30W power supply.
- Industrial chip design, 15kV ESD protection, 8kV surge protection.
- DC48-58V redundancy power, reverse polarity protection.
- Industrial grade 4 design, -40-85° C operating temperature.
- IP40 rated aluminum alloy housing, DIN-Rail mounted.

### Introduction

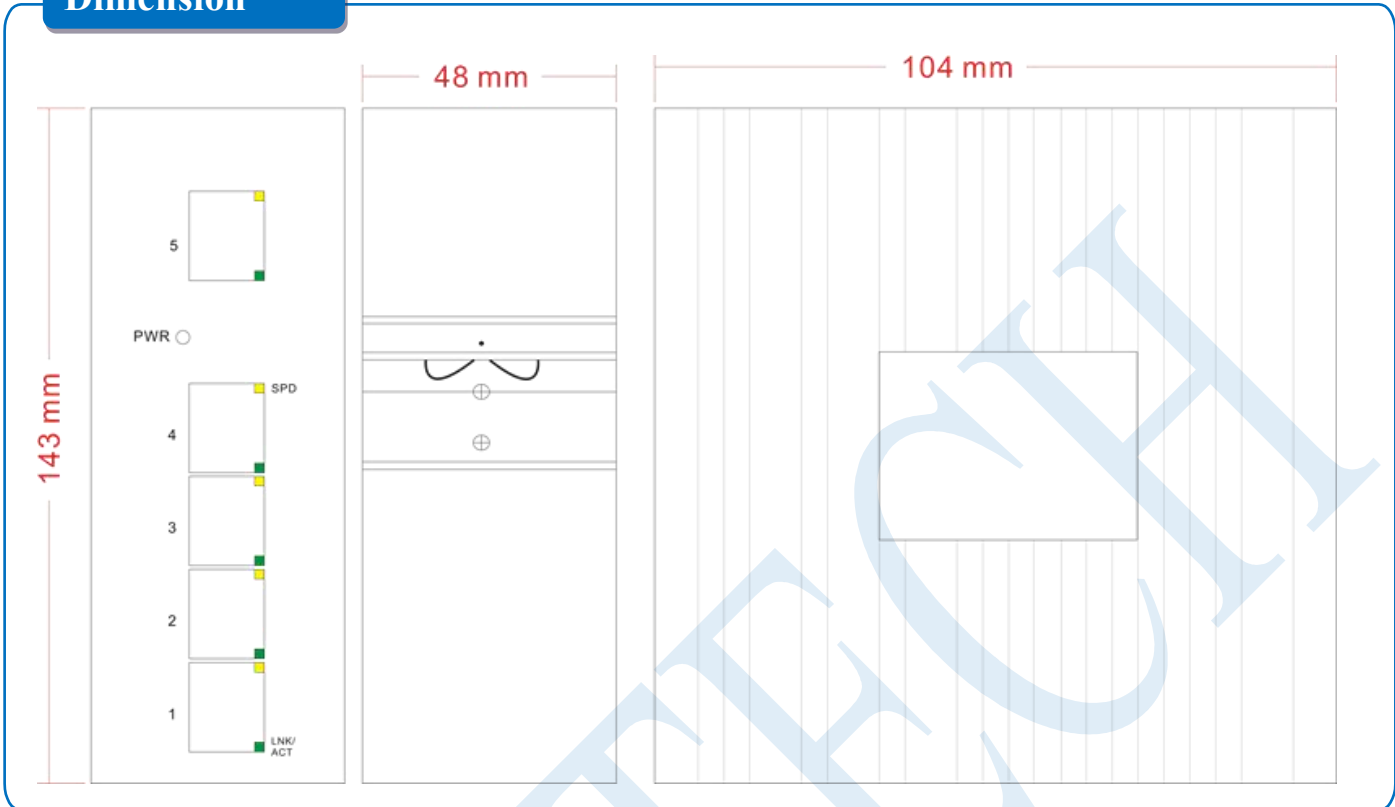
JHA-IG05P is a plug-and-play unmanaged industrial PoE switch. This switch provides 5 10/100/1000Base-T(X) Ethernet port, which 4-port support Power-over-Ethernet (PoE) function (IEEE802.3af/at). The switches are classified as power source equipment (PSE), and when used in this way, the switches enable centralization of the power supply, providing up to 30 watts of power per port and reducing the effort needed for installing power. The switches can be used to power IEEE802.3af/at standard devices (PD), eliminating the need for additional wiring.

JHA-IG05P support CE, FCC, RoHS standard, adopt industry standard design, IP40 protection, rugged high-strength metal case, power input (DC48-58V). The switch support IEEE802.3, IEEE802.3u, IEEE802.3x with 10/100/1000Base-T(X), full/half-duplex, and MDI/MDI-X auto-adaptation, the -40-85°C operating temperature, can meet all kinds of industrial environment requirement, providing reliable and economic solution for your industrial Ethernet network.

## Specification

<b>Protocol Standard</b>	IEEE802.3, IEEE802.3u, IEEE802.3x, IEEE802.3af/at
<b>Flow Control</b>	IEEE802.3x flow control, back press flow control
<b>Switching Performance</b>	Forwarding Rate: 7.44Mpps Transmission Mode: Store and Forward Packet Buffer Size: 1M System Exchange Bandwidth: 10Gbps MAC Table Size: 8K Delay Time: < 3μs
<b>Ethernet Port</b>	10/100/1000Base-T(X) auto speed control, half/full duplex and MDI/MDI-X auto-adaptation
<b>PoE</b>	Pin-out: 1/2(+), 3/6(-), IEEE802.3af max 15.4w, IEEE802.3at max 30w.
<b>LED Indicator</b>	Power Indicator: P1, P2 Port Indicator: LINK / ACT
<b>Power Supply</b>	Input Voltage: DC48-58V Connector: 6 bit 5.08mm removable terminal block Full Load: <3W Protection Mechanism: overload protection, reverse connection protection, redundancy protection
<b>Mechanical Structure</b>	Shell: IP40 protection, aluminum alloy housing Dimension: 143*104*48mm( L*W*H ) Weight: 500g Installation: DIN-Rail mounting, wall mounting
<b>Operating Environment</b>	Operating Temperature: -40-85°C Storage Temperature: -40-85°C Ambient Relative Humidity: 5%-95% (non-condensing)
<b>Industry Standards</b>	EMI:FCC Part 15 Subpart B Class A, EN 55022 Class A EMS:EN61000-4-2 (ESD), Level 4 at 15kV(Air), 8kV(Contact) EN61000-4-3 (R/S), Level 3 at 10V/m EN61000-4-4 (EFT), Level 4 at 4kV(Power Port), 2kV(Date Port) EN61000-4-5 (Surge), Level 4 at 4kV EN61000-4-6 (CS), Level 3 at 10V/m EN61000-4-8, Level 5 at 100A/m Shock:IEC 60068-2-27 Free Fall:IEC 60068-2-32 Vibration:IEC 60068-2-6
<b>Certification</b>	CE, FCC, RoHS
<b>MTBF</b>	>100,000 Hours
<b>Warranty</b>	5-years

**Dimension**



**Order Information**

Model No.	Description of Goods
JHA-IG05P	Unmanaged Industrial PoE Switch, 4 10/100/1000Base-T(X) PoE/PoE+ and 1 10/100/1000Base-T(X), DIN-Rail, DC48-58V, -40-85° C Operating Temperature

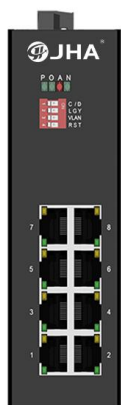
**Power Supply:** DC48V DIN-Rail Power Supply or Power Adapter is Optional.



## JHA-IG08P Series

8-port Unmanaged Industrial PoE Switch, with 8 10/100/1000Base-T(X)  
IEEE802.3af/at PoE/PoE+ Port

### Features



- Support 8 10/100/1000Base-T(X) PoE/PoE+ port.
- Support IEEE802.3, IEEE802.3u, IEEE802.3x, IEEE802.3af/at.
- Support IEEE802.3af, maximum 15.4W power supply.
- Support IEEE802.3at, maximum 30W power supply.
- Industrial chip design, 15kV ESD protection, 8kV surge protection.
- DC48-58V redundancy power, reverse polarity protection.
- Industrial grade 4 design, -40-85° C operating temperature.
- IP40 rated aluminum alloy housing, DIN-Rail mounted.

### Introduction

JHA-IG08P is a plug-and-play unmanaged industrial PoE switch. This switch provides 8 10/100/1000Base-T(X) Ethernet port, which support Power-over-Ethernet (PoE) function (IEEE802.3af/at). The switches are classified as power source equipment (PSE), and when used in this way, the switches enable centralization of the power supply, providing up to 30 watts of power per port and reducing the effort needed for installing power. The switches can be used to power IEEE802.3af/at standard devices (PD), eliminating the need for additional wiring.

JHA-IG08P support CE, FCC, RoHS standard, adopt industry standard design, IP40 protection, rugged high-strength metal case, power input (DC48-58V). The switch support IEEE802.3, IEEE802.3u, IEEE802.3x with 10/100/1000Base-T(X), full/half-duplex, and MDI/MDI-X auto-adaptation, the -40-85°C operating temperature, can meet all kinds of industrial environment requirement, providing reliable and economic solution for your industrial Ethernet network.

## Specification

<b>Protocol Standard</b>	IEEE802.3, IEEE802.3u, IEEE802.3x, IEEE802.3af/at
<b>Flow Control</b>	IEEE802.3x flow control, back press flow control
<b>Switching Performance</b>	Forwarding Rate: 14.88Mpps Transmission Mode: Store and Forward Packet Buffer Size: 2M Backplane Bandwidth: 20Gbps MAC Table Size: 16K Delay Time: < 5μs
<b>Ethernet Port</b>	10/100/1000Base-T(X) auto speed control, half/full duplex and MDI/MDI-X auto-adaptation
<b>PoE</b>	Pin-out: 1/2(+), 3/6(-), IEEE802.3af max 15.4w, IEEE802.3at max 30w.
<b>LED Indicator</b>	Power Indicator: P1, P2 Port Indicator: LINK / ACT
<b>Power Supply</b>	Input Voltage: DC48-58V Connector: 6 bit 5.08mm removable terminal block Full Load: <6W Protection Mechanism: overload protection, reverse connection protection, redundancy protection
<b>Mechanical Structure</b>	Shell: IP40 protection, aluminum alloy housing Dimension: 143*104*48mm( L*W*H ) Weight: 550g Installation: DIN-Rail mounting, wall mounting
<b>Operating Environment</b>	Operating Temperature: -40-85°C Storage Temperature: -40-85°C Ambient Relative Humidity: 5%-95% (non-condensing)
<b>Industry Standards</b>	EMI:FCC Part 15 Subpart B Class A, EN 55022 Class A EMS:EN61000-4-2 (ESD), Level 4 at 15kV(Air), 8kV(Contact) EN61000-4-3 (R/S), Level 3 at 10V/m EN61000-4-4 (EFT), Level 4 at 4kV(Power Port), 2kV(Date Port) EN61000-4-5 (Surge), Level 4 at 4kV EN61000-4-6 (CS), Level 3 at 10V/m EN61000-4-8, Level 5 at 100A/m Shock:IEC 60068-2-27 Free Fall:IEC 60068-2-32 Vibration:IEC 60068-2-6
<b>Certification</b>	CE, FCC, RoHS
<b>MTBF</b>	>100,000 Hours
<b>Warranty</b>	5-years

**Dimension**



**Order Information**

Model No.	Description of Goods
JHA-IG08P	Unmanaged Industrial PoE Switch, 8 10/100/1000Base-T(X) PoE/PoE+, DIN-Rail, DC48-58V, -40-85° C Operating Temperature
<b>Power Supply:</b> DC48V DIN-Rail Power Supply or Power Adapter is Optional.	

## JHA-IGS11P Series

2-port Unmanaged Industrial PoE Switch, with 1 10/100/1000Base-T(X)  
IEEE802.3af/at PoE/PoE+ Port and 1 1000Base-X SFP Slot

### Features



- Support 1 10/100/1000Base-T(X) PoE/PoE+ port and 1 1000Base-X SFP slot.
- Support IEEE802.3, IEEE802.3u, IEEE802.3x, IEEE802.3af/at.
- Support IEEE802.3af, maximum 15.4W power supply.
- Support IEEE802.3at, maximum 30W power supply.
- Industrial chip design, 15kV ESD protection, 8kV surge protection.
- DC48-58V redundancy power, reverse polarity protection.
- Industrial grade 4 design, -40-85° C operating temperature.
- IP40 rated aluminum alloy housing, DIN-Rail mounted.



### Introduction

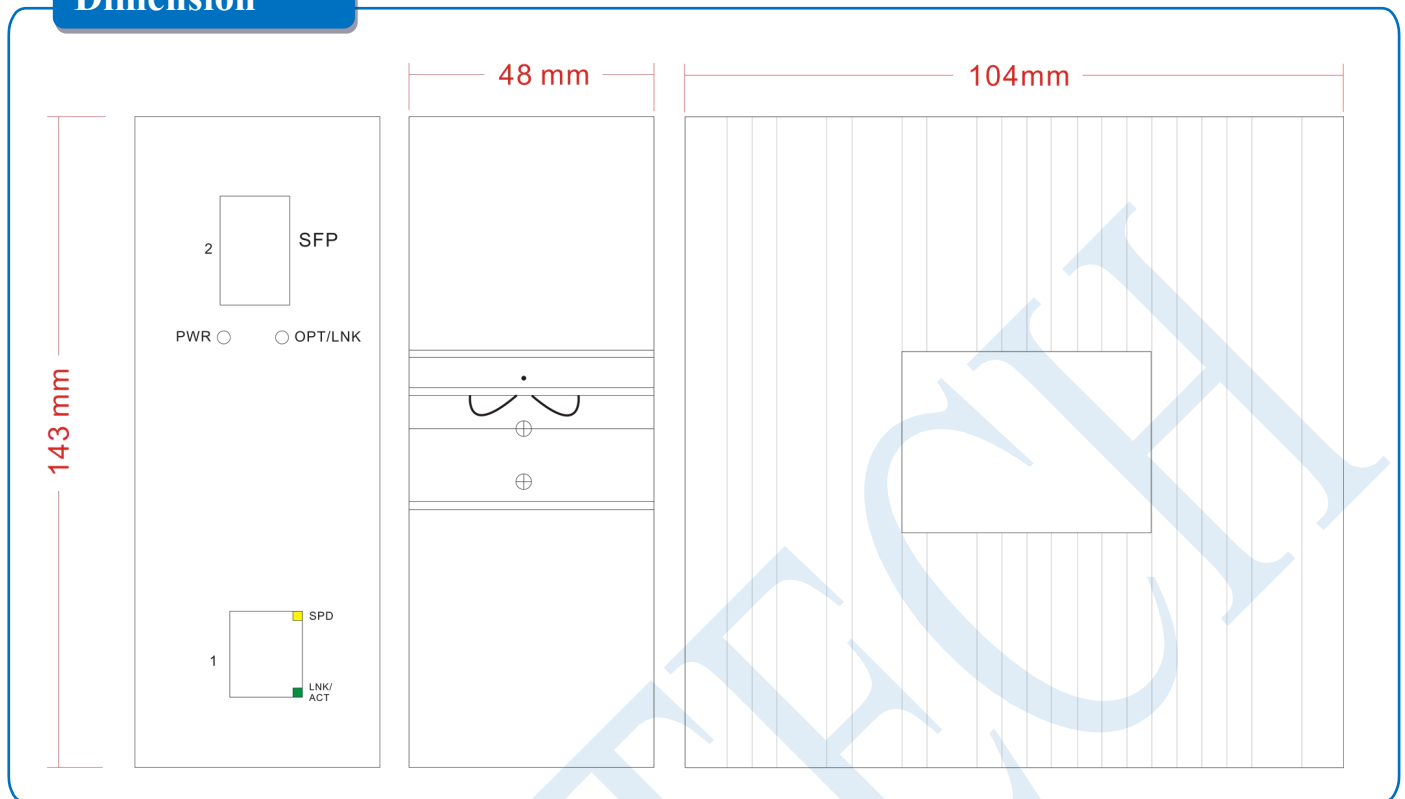
JHA-IGS11P is a plug-and-play unmanaged industrial PoE switch. This switch provides 1 10/100/1000Base-T(X) Ethernet port and 1 1000Base-X SFP slot, the Ethernet port support Power-over-Ethernet (PoE) function. The switches are classified as power source equipment (PSE), and when used in this way, the switches enable centralization of the power supply, providing up to 30 watts of power per port and reducing the effort needed for installing power. The switches can be used to power IEEE802.3af/at standard devices (PD), eliminating the need for additional wiring.

JHA-IGS11P support CE, FCC, RoHS standard, adopt industry standard design, IP40 protection, rugged high-strength metal case, power input (DC48-58V). The switch support IEEE802.3, IEEE802.3u, IEEE802.3x with 10/100/1000Base-T(X), full/half-duplex, and MDI/MDI-X auto-adaptation, the -40-85°C operating temperature, can meet all kinds of industrial environment requirement, providing reliable and economic solution for your industrial Ethernet network.

## Specification

<b>Protocol Standard</b>	IEEE802.3, IEEE802.3u, IEEE802.3x, IEEE802.3af/at
<b>Flow Control</b>	IEEE802.3x flow control, back press flow control
<b>Switching Performance</b>	Forwarding Rate: 7.44Mpps Transmission Mode: Store and Forward Packet Buffer Size: 1M Backplane Bandwidth: 10Gbps MAC Table Size: 8K Delay Time: < 4μs
<b>Ethernet Port</b>	10/100/1000Base-T(X) auto speed control, half/full duplex and MDI/MDI-X auto-adaptation
<b>Fiber Port</b>	1000Base-X SFP slot
<b>PoE</b>	Pin-out: 1/2(+), 3/6(-), IEEE802.3af max 15.4w, IEEE802.3at max 30w.
<b>LED Indicator</b>	Power Indicator: PWR Port Indicator: LINK / ACT
<b>Power Supply</b>	Input Voltage: DC48-58V Connector: 6 bit 5.08mm removable terminal block Full Load: <4W Protection Mechanism: overload protection, reverse connection protection, redundancy protection
<b>Mechanical Structure</b>	Shell: IP40 protection, aluminum alloy housing Dimension: 143*104*48mm( L*W*H ) Weight: 500g Installation: DIN-Rail mounting, wall mounting
<b>Operating Environment</b>	Operating Temperature: -40-85°C Storage Temperature: -40-85°C Ambient Relative Humidity: 5%-95% (non-condensing)
<b>Industry Standards</b>	EMI:FCC Part 15 Subpart B Class A, EN 55022 Class A EMS:EN61000-4-2 (ESD), Level 4 at 15kV(Air), 8kV(Contact) EN61000-4-3 (R/S), Level 3 at 10V/m EN61000-4-4 (EFT), Level 4 at 4kV(Power Port), 2kV(Date Port) EN61000-4-5 (Surge), Level 4 at 4kV EN61000-4-6 (CS), Level 3 at 10V/m EN61000-4-8, Level 5 at 100A/m Shock:IEC 60068-2-27 Free Fall:IEC 60068-2-32 Vibration:IEC 60068-2-6
<b>Certification</b>	CE, FCC, RoHS
<b>MTBF</b>	>100,000 Hours
<b>Warranty</b>	5-years

### Dimension



### Order Information

Model No.	Description of Goods
JHA-IGS11P	Unmanaged Industrial PoE Switch, 1 10/100/1000Base-T(X) PoE/PoE+ and 1 1000Base-X SFP Slot, DIN-Rail, DC48-58V, -40-85° C Operating Temperature
JHA-IG11P	Unmanaged Industrial PoE Switch, 1 10/100/1000Base-T(X) PoE/PoE+ and 1 1000Base-FX, SC Connector, Multimode, Dual Fiber, 550m, DIN-Rail, DC48-58V, -40-85° C Operating Temperature
JHA-IG11P-20	Unmanaged Industrial PoE Switch, 1 10/100/1000Base-T(X) PoE/PoE+ and 1 1000Base-FX, SC Connector, Single Mode, Dual Fiber, 20Km, DIN-Rail, DC48-58V, -40-85° C Operating Temperature
JHA-IG11W P-20	Unmanaged Industrial PoE Switch, 1 10/100/1000Base-T(X) PoE/PoE+ and 1 1000Base-FX, SC Connector, Single Mode, Single Fiber, 20Km, DIN-Rail, DC48-58V, -40-85° C Operating Temperature

**Fiber Connector:** SC/ST/FC/LC(SFP Slot), Single Mode/Multimode, Dual Fiber/Single Fiber, 2Km/20Km/40Km/60Km/80Km/100Km/120Km is Optional.

**Power Supply:** DC48V DIN-Rail Power Supply or Power Adapter is Optional.

## JHA-IGS12P Series

3-port Unmanaged Industrial PoE Switch, with 2 10/100/1000Base-T(X)  
IEEE802.3af/at PoE/PoE+ Port and 1 1000Base-X SFP Slot

### Features



- Support 2 10/100/1000Base-T(X) PoE/PoE+ port and 1 1000Base-X SFP slot.
- Support IEEE802.3, IEEE802.3u, IEEE802.3x, IEEE802.3af/at.
- Support IEEE802.3af, maximum 15.4W power supply.
- Support IEEE802.3at, maximum 30W power supply.
- Industrial chip design, 15kV ESD protection, 8kV surge protection.
- DC48-58V redundancy power, reverse polarity protection.
- Industrial grade 4 design, -40-85° C operating temperature.
- IP40 rated aluminum alloy housing, DIN-Rail mounted.



### Introduction

JHA-IGS12P is a plug-and-play unmanaged industrial PoE switch. This switch provides 2 10/100/1000Base-T(X) Ethernet port and 1 1000Base-X SFP slot, the Ethernet port support Power-over-Ethernet (PoE) function. The switches are classified as power source equipment (PSE), and when used in this way, the switches enable centralization of the power supply, providing up to 30 watts of power per port and reducing the effort needed for installing power. The switches can be used to power IEEE802.3af/at standard devices (PD), eliminating the need for additional wiring.

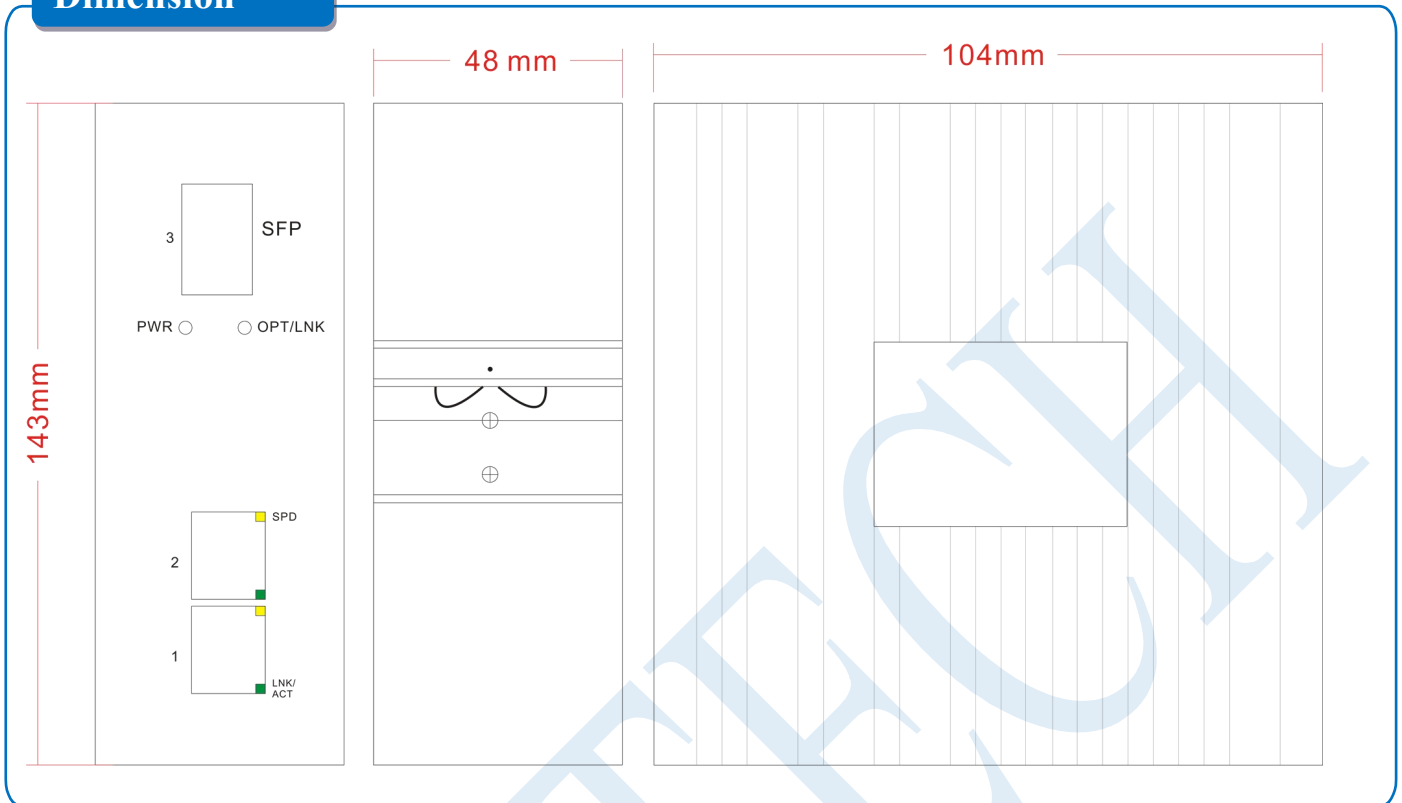
JHA-IGS12P support CE, FCC, RoHS standard, adopt industry standard design, IP40 protection, rugged high-strength metal case, power input (DC48-58V). The switch support IEEE802.3, IEEE802.3u, IEEE802.3x with 10/100/1000Base-T(X), full/half-duplex, and MDI/MDI-X auto-adaptation, the -40-85°C operating temperature, can meet all kinds of industrial environment requirement, providing reliable and economic solution for your industrial Ethernet network.

## Specification

<b>Protocol Standard</b>	IEEE802.3, IEEE802.3u, IEEE802.3x, IEEE802.3af/at
<b>Flow Control</b>	IEEE802.3x flow control, back press flow control
<b>Switching Performance</b>	Forwarding Rate: 7.44Mpps Transmission Mode: Store and Forward Packet Buffer Size: 1M Backplane Bandwidth: 10Gbps MAC Table Size: 8K Delay Time: < 4μs
<b>Ethernet Port</b>	10/100/1000Base-T(X) auto speed control, half/full duplex and MDI/MDI-X auto-adaptation
<b>Fiber Port</b>	1000Base-X SFP slot
<b>PoE</b>	Pin-out: 1/2(+), 3/6(-), IEEE802.3af max 15.4w, IEEE802.3at max 30w.
<b>LED Indicator</b>	Power Indicator: PWR Port Indicator: LINK / ACT
<b>Power Supply</b>	Input Voltage: DC48-58V Connector: 6 bit 5.08mm removable terminal block Full Load: <4W Protection Mechanism: overload protection, reverse connection protection, redundancy protection
<b>Mechanical Structure</b>	Shell: IP40 protection, aluminum alloy housing Dimension: 143*104*48mm( L*W*H ) Weight: 500g Installation: DIN-Rail mounting, wall mounting
<b>Operating Environment</b>	Operating Temperature: -40-85°C Storage Temperature: -40-85°C Ambient Relative Humidity: 5%-95% (non-condensing)
<b>Industry Standards</b>	EMI:FCC Part 15 Subpart B Class A, EN 55022 Class A EMS:EN61000-4-2 (ESD), Level 4 at 15kV(Air), 8kV(Contact) EN61000-4-3 (R/S), Level 3 at 10V/m EN61000-4-4 (EFT), Level 4 at 4kV(Power Port), 2kV(Date Port) EN61000-4-5 (Surge), Level 4 at 4kV EN61000-4-6 (CS), Level 3 at 10V/m EN61000-4-8, Level 5 at 100A/m Shock:IEC 60068-2-27 Free Fall:IEC 60068-2-32 Vibration:IEC 60068-2-6
<b>Certification</b>	CE, FCC, RoHS
<b>MTBF</b>	>100,000 Hours
<b>Warranty</b>	5-years



### Dimension



### Order Information

Model No.	Description of Goods
JHA-IGS12P	Unmanaged Industrial PoE Switch, 2 10/100/1000Base-T(X) PoE/PoE+ and 1 1000Base-X SFP Slot, DIN-Rail, DC48-58V, -40-85° C Operating Temperature
JHA-IG12P	Unmanaged Industrial PoE Switch, 2 10/100/1000Base-T(X) PoE/PoE+ and 1 1000Base-FX, SC Connector, Multimode, Dual Fiber, 550m, DIN-Rail, DC48-58V, -40-85° C Operating Temperature
JHA-IG12P-20	Unmanaged Industrial PoE Switch, 2 10/100/1000Base-T(X) PoE/PoE+ and 1 1000Base-FX, SC Connector, Single Mode, Dual Fiber, 20Km, DIN-Rail, DC48-58V, -40-85° C Operating Temperature
JHA-IG12W P-20	Unmanaged Industrial PoE Switch, 2 10/100/1000Base-T(X) PoE/PoE+ and 1 1000Base-FX, SC Connector, Single Mode, Single Fiber, 20Km, DIN-Rail, DC48-58V, -40-85° C Operating Temperature

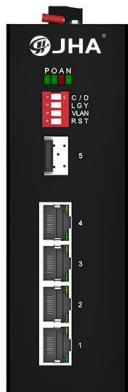
**Fiber Connector:** SC/ST/FC/LC(SFP Slot), Single Mode/Multimode, Dual Fiber/Single Fiber, 2Km/20Km/40Km/60Km/80Km/100Km/120Km is Optional.

**Power Supply:** DC48V DIN-Rail Power Supply or Power Adapter is Optional.

## JHA-IGS14P Series

5-port Unmanaged Industrial PoE Switch, with 4 10/100/1000Base-T(X) IEEE802.3af/at PoE/PoE+ Port and 1 1000Base-X SFP Slot

### Features



- Support 4 10/100/1000Base-T(X) PoE/PoE+ port and 1 1000Base-X SFP slot.
- Support IEEE802.3, IEEE802.3u, IEEE802.3x, IEEE802.3af/at.
- Support IEEE802.3af, maximum 15.4W power supply.
- Support IEEE802.3at, maximum 30W power supply.
- Industrial chip design, 15kV ESD protection, 8kV surge protection.
- DC48-58V redundancy power, reverse polarity protection.
- Industrial grade 4 design, -40-85° C operating temperature.
- IP40 rated aluminum alloy housing, DIN-Rail mounted.

### Introduction

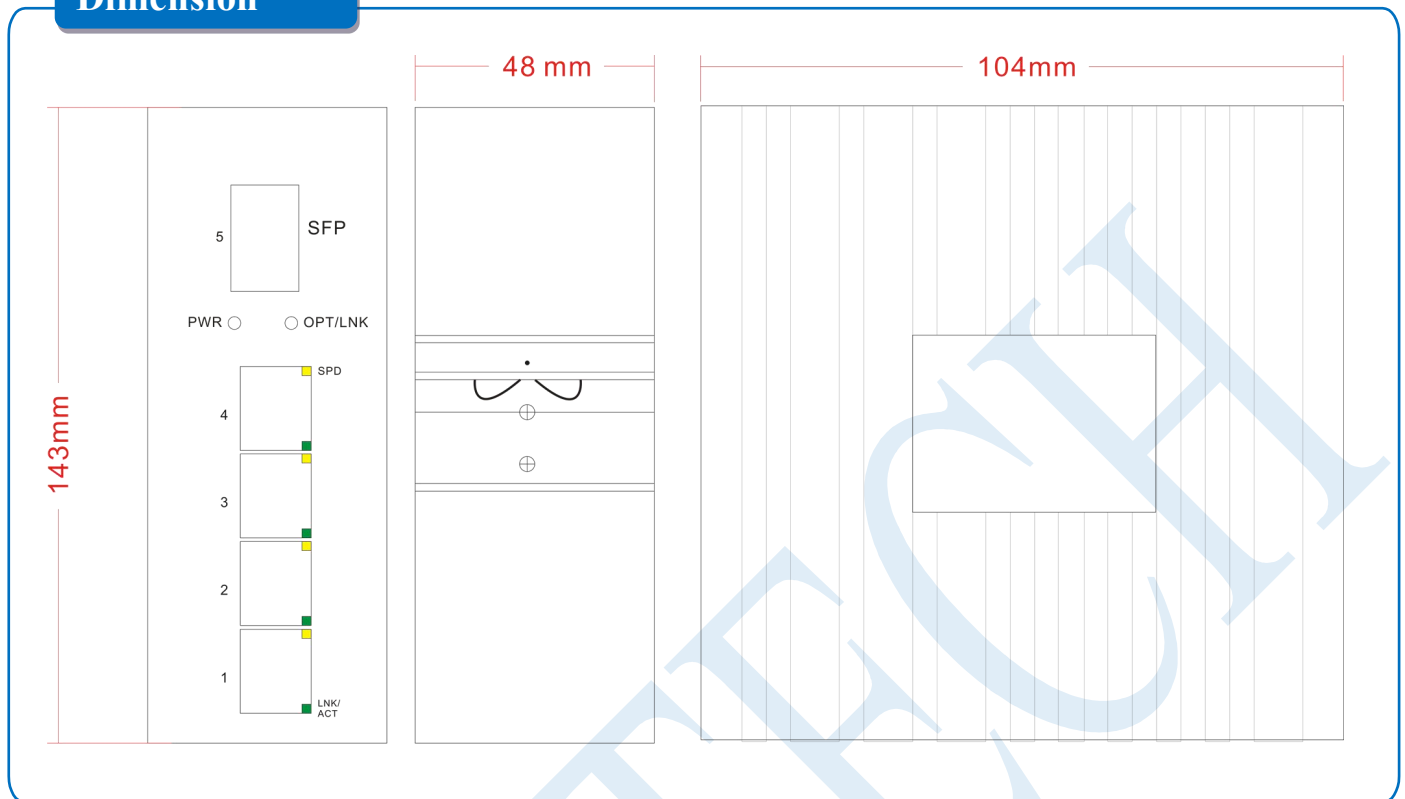
JHA-IGS14P is a plug-and-play unmanaged industrial PoE switch. This switch provides 4 10/100/1000Base-T(X) Ethernet port and 1 1000Base-X SFP slot, the Ethernet port support Power-over-Ethernet (PoE) function. The switches are classified as power source equipment (PSE), and when used in this way, the switches enable centralization of the power supply, providing up to 30 watts of power per port and reducing the effort needed for installing power. The switches can be used to power IEEE802.3af/at standard devices (PD), eliminating the need for additional wiring.

JHA-IGS14P support CE, FCC, RoHS standard, adopt industry standard design, IP40 protection, rugged high-strength metal case, power input (DC48-58V). The switch support IEEE802.3, IEEE802.3u, IEEE802.3x with 10/100/1000Base-T(X), full/half-duplex, and MDI/MDI-X auto-adaptation, the -40-85°C operating temperature, can meet all kinds of industrial environment requirement, providing reliable and economic solution for your industrial Ethernet network.

## Specification

<b>Protocol Standard</b>	IEEE802.3, IEEE802.3u, IEEE802.3x, IEEE802.3af/at
<b>Flow Control</b>	IEEE802.3x flow control, back press flow control
<b>Switching Performance</b>	Forwarding Rate: 7.44Mpps Transmission Mode: Store and Forward Packet Buffer Size: 1M Backplane Bandwidth: 10Gbps MAC Table Size: 8K Delay Time: < 4μs
<b>Ethernet Port</b>	10/100/1000Base-T(X) auto speed control, half/full duplex and MDI/MDI-X auto-adaptation
<b>Fiber Port</b>	1000Base-X SFP slot
<b>PoE</b>	Pin-out: 1/2(+), 3/6(-), IEEE802.3af max 15.4w, IEEE802.3at max 30w.
<b>LED Indicator</b>	Power Indicator: PWR Port Indicator: LINK / ACT
<b>Power Supply</b>	Input Voltage: DC48-58V Connector: 6 bit 5.08mm removable terminal block Full Load: <4W Protection Mechanism: overload protection, reverse connection protection, redundancy protection
<b>Mechanical Structure</b>	Shell: IP40 protection, aluminum alloy housing Dimension: 143*104*48mm( L*W*H ) Weight: 500g Installation: DIN-Rail mounting, wall mounting
<b>Operating Environment</b>	Operating Temperature: -40-85°C Storage Temperature: -40-85°C Ambient Relative Humidity: 5%-95% (non-condensing)
<b>Industry Standards</b>	EMI:FCC Part 15 Subpart B Class A, EN 55022 Class A EMS:EN61000-4-2 (ESD), Level 4 at 15kV(Air), 8kV(Contact) EN61000-4-3 (R/S), Level 3 at 10V/m EN61000-4-4 (EFT), Level 4 at 4kV(Power Port), 2kV(Date Port) EN61000-4-5 (Surge), Level 4 at 4kV EN61000-4-6 (CS), Level 3 at 10V/m EN61000-4-8, Level 5 at 100A/m Shock:IEC 60068-2-27 Free Fall:IEC 60068-2-32 Vibration:IEC 60068-2-6
<b>Certification</b>	CE, FCC, RoHS
<b>MTBF</b>	>100,000 Hours
<b>Warranty</b>	5-years

### Dimension



### Order Information

Model No.	Description of Goods
JHA-IGS14P	Unmanaged Industrial PoE Switch, 4 10/100/1000Base-T(X) PoE/PoE+ and 1 1000Base-X SFP Slot, DIN-Rail, DC48-58V, -40-85° C Operating Temperature
JHA-IG14P	Unmanaged Industrial PoE Switch, 4 10/100/1000Base-T(X) PoE/PoE+ and 1 1000Base-FX, SC Connector, Multimode, Dual Fiber, 550m, DIN-Rail, DC48-58V, -40-85° C Operating Temperature
JHA-IG14P-20	Unmanaged Industrial PoE Switch, 4 10/100/1000Base-T(X) PoE/PoE+ and 1 1000Base-FX, SC Connector, Single Mode, Dual Fiber, 20Km, DIN-Rail, DC48-58V, -40-85° C Operating Temperature
JHA-IG14W P-20	Unmanaged Industrial PoE Switch, 4 10/100/1000Base-T(X) PoE/PoE+ and 1 1000Base-FX, SC Connector, Single Mode, Single Fiber, 20Km, DIN-Rail, DC48-58V, -40-85° C Operating Temperature
<p><b>Fiber Connector:</b> SC/ST/FC/LC(SFP Slot), Single Mode/Multimode, Dual Fiber/Single Fiber, 2Km/20Km/40Km/60Km/80Km/100Km/120Km is Optional.</p> <p><b>Power Supply:</b> DC48V DIN-Rail Power Supply or Power Adapter is Optional.</p>	

## JHA-IGS24P Series

6-port Unmanaged Industrial PoE Switch, with 4 10/100/1000Base-T(X)  
IEEE802.3af/at PoE/PoE+ Port and 2 1000Base-X SFP Slot

### Features



- Support 4 10/100/1000Base-T(X) PoE/PoE+ port and 2 1000Base-X SFP slot.
- Support IEEE802.3, IEEE802.3u, IEEE802.3x, IEEE802.3af/at.
- Support IEEE802.3af, maximum 15.4W power supply.
- Support IEEE802.3at, maximum 30W power supply.
- Industrial chip design, 15kV ESD protection, 8kV surge protection.
- DC48-58V redundancy power, reverse polarity protection.
- Industrial grade 4 design, -40-85° C operating temperature.
- IP40 rated aluminum alloy housing, DIN-Rail mounted.



### Introduction

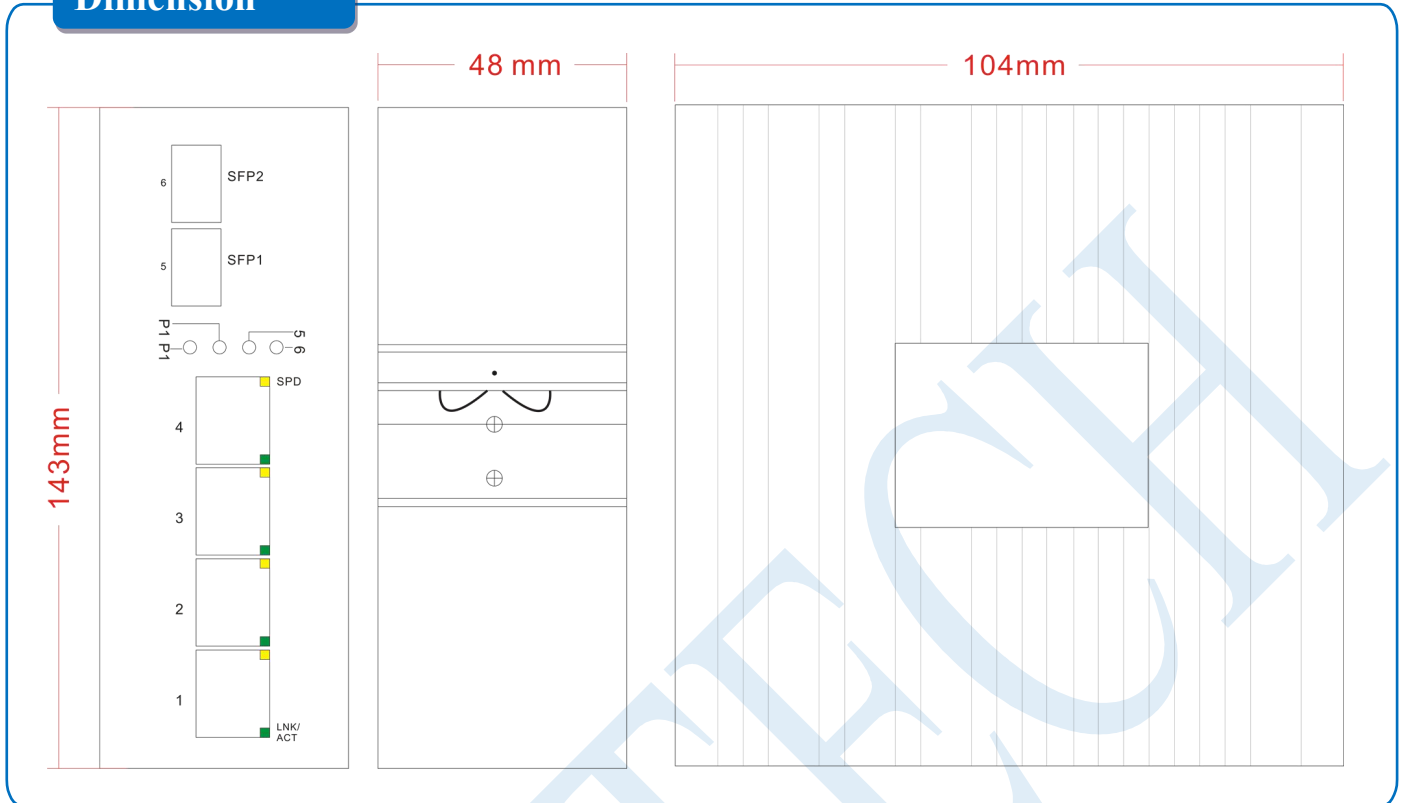
JHA-IGS24P is a plug-and-play unmanaged industrial PoE switch. This switch provides 4 10/100/1000Base-T(X) Ethernet port and 2 1000Base-X SFP slot, the Ethernet port support Power-over-Ethernet (PoE) function. The switches are classified as power source equipment (PSE), and when used in this way, the switches enable centralization of the power supply, providing up to 30 watts of power per port and reducing the effort needed for installing power. The switches can be used to power IEEE802.3af/at standard devices (PD), eliminating the need for additional wiring.

JHA-IGS24P support CE, FCC, RoHS standard, adopt industry standard design, IP40 protection, rugged high-strength metal case, power input (DC48-58V). The switch support IEEE802.3, IEEE802.3u, IEEE802.3x with 10/100/1000Base-T(X), full/half-duplex, and MDI/MDI-X auto-adaptation, the -40-85°C operating temperature, can meet all kinds of industrial environment requirement, providing reliable and economic solution for your industrial Ethernet network.

## Specification

<b>Protocol Standard</b>	IEEE802.3, IEEE802.3u, IEEE802.3x, IEEE802.3af/at
<b>Flow Control</b>	IEEE802.3x flow control, back press flow control
<b>Switching Performance</b>	Forwarding Rate: 8.928Mpps Transmission Mode: Store and Forward Packet Buffer Size: 1M Backplane Bandwidth: 12Gbps MAC Table Size: 1K Delay Time: < 4μs
<b>Ethernet Port</b>	10/100/1000Base-T(X) auto speed control, half/full duplex and MDI/MDI-X auto-adaptation
<b>Fiber Port</b>	1000Base-X SFP slot
<b>PoE</b>	Pin-out: 1/2(+), 3/6(-), IEEE802.3af max 15.4w, IEEE802.3at max 30w.
<b>LED Indicator</b>	Power Indicator: PWR Port Indicator: LINK / ACT
<b>Power Supply</b>	Input Voltage: DC48-58V Connector: 6 bit 5.08mm removable terminal block Full Load: <4W Protection Mechanism: overload protection, reverse connection protection, redundancy protection
<b>Mechanical Structure</b>	Shell: IP40 protection, aluminum alloy housing Dimension: 143*104*48mm( L*W*H ) Weight: 550g Installation: DIN-Rail mounting, wall mounting
<b>Operating Environment</b>	Operating Temperature: -40-85°C Storage Temperature: -40-85°C Ambient Relative Humidity: 5%-95% (non-condensing)
<b>Industry Standards</b>	EMI:FCC Part 15 Subpart B Class A, EN 55022 Class A EMS:EN61000-4-2 (ESD), Level 4 at 15kV(Air), 8kV(Contact) EN61000-4-3 (R/S), Level 3 at 10V/m EN61000-4-4 (EFT), Level 4 at 4kV(Power Port), 2kV(Date Port) EN61000-4-5 (Surge), Level 4 at 4kV EN61000-4-6 (CS), Level 3 at 10V/m EN61000-4-8, Level 5 at 100A/m Shock:IEC 60068-2-27 Free Fall:IEC 60068-2-32 Vibration:IEC 60068-2-6
<b>Certification</b>	CE, FCC, RoHS
<b>MTBF</b>	>100,000 Hours
<b>Warranty</b>	5-years

**Dimension**



**Order Information**

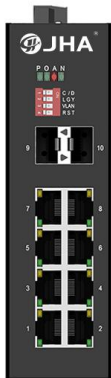
Model No.	Description of Goods
JHA-IGS24P	Unmanaged Industrial PoE Switch, 4 10/100/1000Base-T(X) PoE/PoE+ and 2 1000Base-X SFP Slot, DIN-Rail, DC48-58V, -40-85° C Operating Temperature

**Power Supply:** DC48V DIN-Rail Power Supply or Power Adapter is Optional.

## JHA-IGS28P Series

10-port Unmanaged Industrial PoE Switch, with 8 10/100/1000Base-T(X)  
IEEE802.3af/at PoE/PoE+ Port and 2 1000Base-X SFP Slot

### Features



- Support 8 10/100/1000Base-T(X) PoE/PoE+ port and 2 1000Base-X SFP slot.
- Support IEEE802.3, IEEE802.3u, IEEE802.3x, IEEE802.3af/at.
- Support IEEE802.3af, maximum 15.4W power supply.
- Support IEEE802.3at, maximum 30W power supply.
- Industrial chip design, 15kV ESD protection, 8kV surge protection.
- DC48-58V redundancy power, reverse polarity protection.
- Industrial grade 4 design, -40-85° C operating temperature.
- IP40 rated aluminum alloy housing, DIN-Rail mounted.

### Introduction

JHA-IGS28P is a plug-and-play unmanaged industrial PoE switch. This switch provides 8 10/100/1000Base-T(X) Ethernet port and 2 1000Base-X SFP slot, the Ethernet port support Power-over-Ethernet (PoE) function. The switches are classified as power source equipment (PSE), and when used in this way, the switches enable centralization of the power supply, providing up to 30 watts of power per port and reducing the effort needed for installing power. The switches can be used to power IEEE802.3af/at standard devices (PD), eliminating the need for additional wiring.

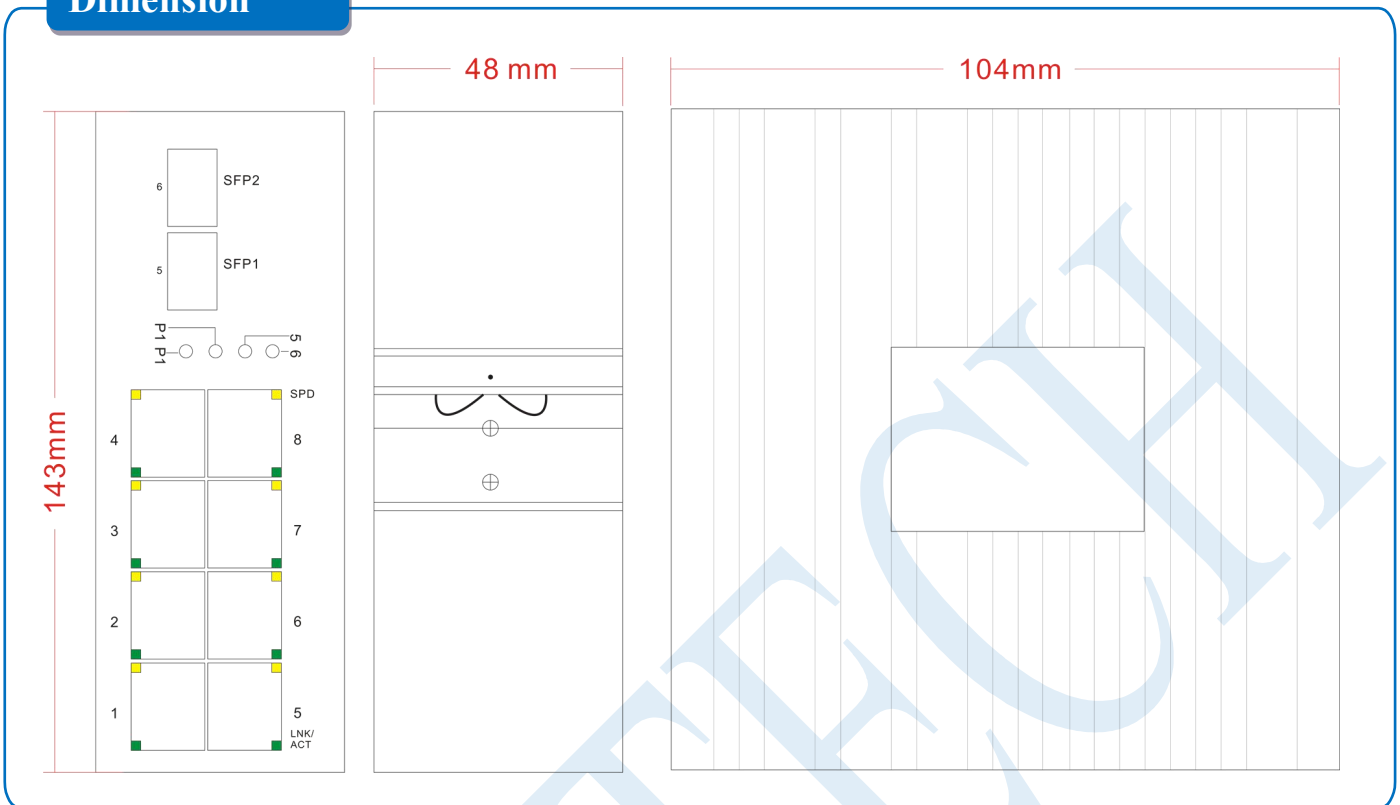
JHA-IGS28P support CE, FCC, RoHS standard, adopt industry standard design, IP40 protection, rugged high-strength metal case, power input (DC48-58V). The switch support IEEE802.3, IEEE802.3u, IEEE802.3x with 10/100/1000Base-T(X), full/half-duplex, and MDI/MDI-X auto-adaptation, the -40-85°C operating temperature, can meet all kinds of industrial environment requirement, providing reliable and economic solution for your industrial Ethernet network.



## Specification

<b>Protocol Standard</b>	IEEE802.3, IEEE802.3u, IEEE802.3x, IEEE802.3af/at
<b>Flow Control</b>	IEEE802.3x flow control, back press flow control
<b>Switching Performance</b>	Forwarding Rate: 14.88Mpps Transmission Mode: Store and Forward Packet Buffer Size: 2M Backplane Bandwidth: 20Gbps MAC Table Size: 16K Delay Time: < 4μs
<b>Ethernet Port</b>	10/100/1000Base-T(X) auto speed control, half/full duplex and MDI/MDI-X auto-adaptation
<b>Fiber Port</b>	1000Base-X SFP Slot
<b>PoE</b>	Pin-out: 1/2(+), 3/6(-), IEEE802.3af max 15.4w, IEEE802.3at max 30w.
<b>LED Indicator</b>	Power Indicator: PWR Port Indicator: LINK / ACT
<b>Power Supply</b>	Input Voltage: DC48-58V Connector: 6 bit 5.08mm removable terminal block Full Load: <6W Protection Mechanism: overload protection, reverse connection protection, redundancy protection
<b>Mechanical Structure</b>	Shell: IP40 protection, aluminum alloy housing Dimension: 143*104*48mm( L*W*H ) Weight: 550g Installation: DIN-Rail mounting, wall mounting
<b>Operating Environment</b>	Operating Temperature: -40-85°C Storage Temperature: -40-85°C Ambient Relative Humidity: 5%-95% (non-condensing)
<b>Industry Standards</b>	EMI:FCC Part 15 Subpart B Class A, EN 55022 Class A EMS:EN61000-4-2 (ESD), Level 4 at 15kV(Air), 8kV(Contact) EN61000-4-3 (R/S), Level 3 at 10V/m EN61000-4-4 (EFT), Level 4 at 4kV(Power Port), 2kV(Date Port) EN61000-4-5 (Surge), Level 4 at 4kV EN61000-4-6 (CS), Level 3 at 10V/m EN61000-4-8, Level 5 at 100A/m Shock:IEC 60068-2-27 Free Fall:IEC 60068-2-32 Vibration:IEC 60068-2-6
<b>Certification</b>	CE, FCC, RoHS
<b>MTBF</b>	>100,000 Hours
<b>Warranty</b>	5-years

### Dimension



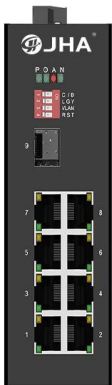
### Order Information

Model No.	Description of Goods
JHA-IGS28P	Unmanaged Industrial PoE Switch, 8 10/100/1000Base-T(X) PoE/PoE+ and 2 1000Base-X SFP Slot, DIN-Rail, DC48-58V, -40-85° C Operating Temperature
<b>Power Supply:</b> DC48V DIN-Rail Power Supply or Power Adapter is Optional.	

## JHA-IGS10F08P Series

9-port Unmanaged Industrial PoE Switch, with 8 10/100Base-T(X)  
IEEE802.3af/at PoE/PoE+ Port and 1 1000Base-X SFP Slot

### Features



- Support 8 10/100Base-T(X) PoE/PoE+ port and 1 1000Base-X SFP slot.
- Support IEEE802.3, IEEE802.3u, IEEE802.3x, IEEE802.3af/at.
- Support IEEE802.3af, maximum 15.4W power supply.
- Support IEEE802.3at, maximum 30W power supply.
- Industrial chip design, 15kV ESD protection, 8kV surge protection.
- DC48-58V redundancy power, reverse polarity protection.
- Industrial grade 4 design, -40-85° C operating temperature.
- IP40 rated aluminum alloy housing, DIN-Rail mounted.

### Introduction

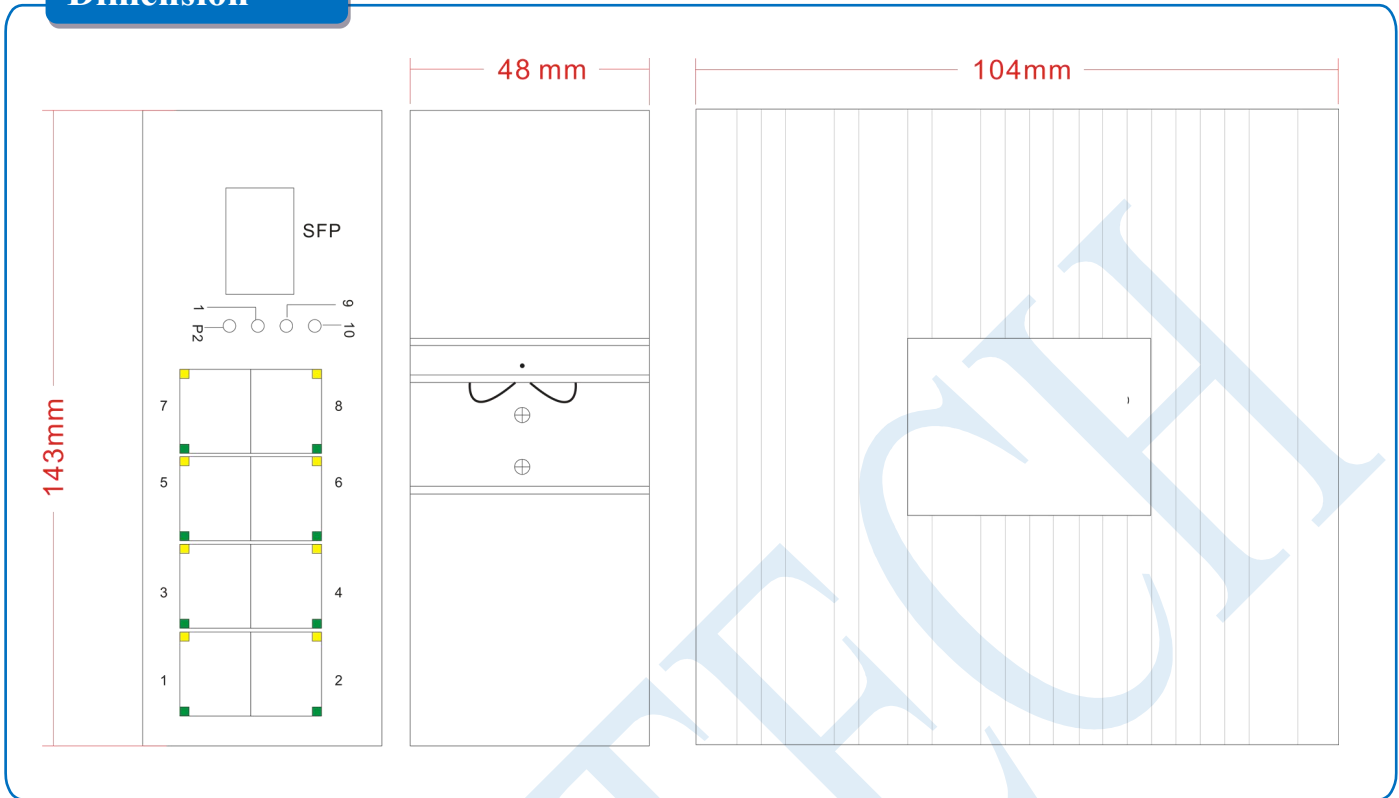
JHA-IGS10F08P is a plug-and-play unmanaged industrial PoE switch. This switch provides 8 10/100Base-T(X) Ethernet port and 1 1000Base-X SFP slot, the Ethernet port support Power-over-Ethernet (PoE) function. The switches are classified as power source equipment (PSE), and when used in this way, the switches enable centralization of the power supply, providing up to 30 watts of power per port and reducing the effort needed for installing power. The switches can be used to power IEEE802.3af/at standard devices (PD), eliminating the need for additional wiring.

JHA-IGS10F08P support CE, FCC, RoHS standard, adopt industry standard design, IP40 protection, rugged high-strength metal case, power input (DC48-58V). The switch support IEEE802.3, IEEE802.3u, IEEE802.3x with 10/100Base-T(X), full/half-duplex, and MDI/MDI-X auto-adaptation, the -40-85 °C operating temperature, can meet all kinds of industrial environment requirement, providing reliable and economic solution for your industrial Ethernet network.

## Specification

<b>Protocol Standard</b>	IEEE802.3, IEEE802.3u, IEEE802.3x, IEEE802.3af/at
<b>Flow Control</b>	IEEE802.3x flow control, back press flow control
<b>Switching Performance</b>	Forwarding Rate: 4.16Mpps Transmission Mode: Store and Forward Packet Buffer Size: 1M Backplane Bandwidth: 5.6Gbps MAC Table Size: 8K Delay Time: < 4μs
<b>Ethernet Port</b>	10/100Base-T(X) auto speed control, half/full duplex and MDI/MDI-X auto-adaptation
<b>Fiber Port</b>	1000Base-X SFP slot
<b>PoE</b>	Pin-out: 1/2(+), 3/6(-), IEEE802.3af max 15.4w, IEEE802.3at max 30w.
<b>LED Indicator</b>	Power Indicator: PWR Port Indicator: LINK / ACT
<b>Power Supply</b>	Input Voltage: DC48-58V Connector: 6 bit 5.08mm removable terminal block Full Load: <5W Protection Mechanism: overload protection, reverse connection protection, redundancy protection
<b>Mechanical Structure</b>	Shell: IP40 protection, aluminum alloy housing Dimension: 143*104*48mm( L*W*H ) Weight: 550g Installation: DIN-Rail mounting, wall mounting
<b>Operating Environment</b>	Operating Temperature: -40-85°C Storage Temperature: -40-85°C Ambient Relative Humidity: 5%-95% (non-condensing)
<b>Industry Standards</b>	EMI:FCC Part 15 Subpart B Class A, EN 55022 Class A EMS:EN61000-4-2 (ESD), Level 4 at 15kV(Air), 8kV(Contact) EN61000-4-3 (R/S), Level 3 at 10V/m EN61000-4-4 (EFT), Level 4 at 4kV(Power Port), 2kV(Date Port) EN61000-4-5 (Surge), Level 4 at 4kV EN61000-4-6 (CS), Level 3 at 10V/m EN61000-4-8, Level 5 at 100A/m Shock:IEC 60068-2-27 Free Fall:IEC 60068-2-32 Vibration:IEC 60068-2-6
<b>Certification</b>	CE, FCC, RoHS
<b>MTBF</b>	>100,000 Hours
<b>Warranty</b>	5-years

**Dimension**



**Order Information**

Model No.	Description of Goods
JHA-IGS10F08P	Unmanaged Industrial PoE Switch, 8 10/100Base-T(X) PoE/PoE+ and 1 1000Base-X SFP Slot, DIN-Rail, DC48-58V, -40-85° C Operating Temperature

**Power Supply:** DC48V DIN-Rail Power Supply or Power Adapter is Optional.

## JHA-IGS20F08P Series

10-port Unmanaged Industrial PoE Switch, with 8 10/100Base-T(X)  
IEEE802.3af/at PoE/PoE+ Port and 2 1000Base-X SFP Slot

### Features



- Support 8 10/100Base-T(X) PoE/PoE+ port and 2 1000Base-X SFP slot.
- Support IEEE802.3, IEEE802.3u, IEEE802.3x, IEEE802.3af/at.
- Support IEEE802.3af, maximum 15.4W power supply.
- Support IEEE802.3at, maximum 30W power supply.
- Industrial chip design, 15kV ESD protection, 8kV surge protection.
- DC48-58V redundancy power, reverse polarity protection.
- Industrial grade 4 design, -40-85° C operating temperature.
- IP40 rated aluminum alloy housing, DIN-Rail mounted.

### Introduction

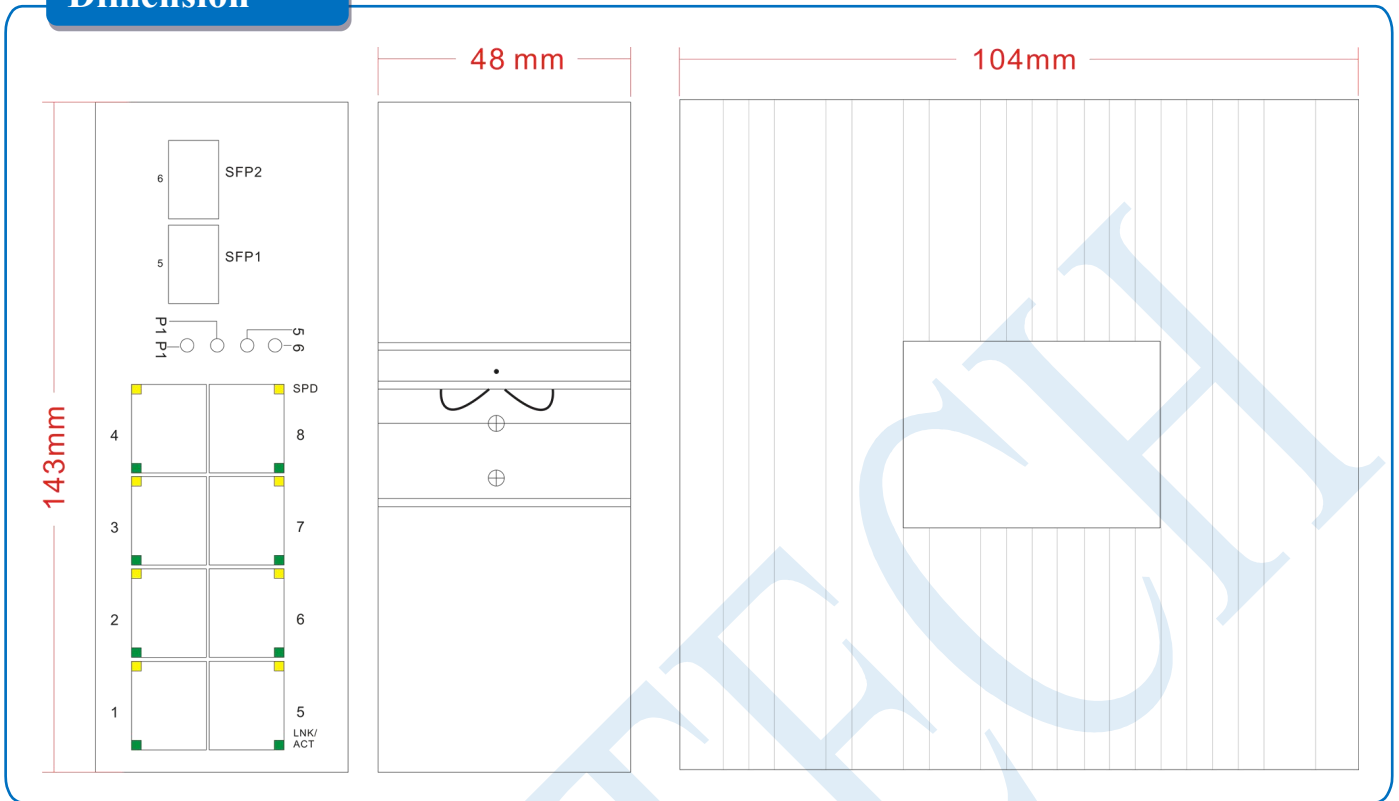
JHA-IGS20F08P is a plug-and-play unmanaged industrial PoE switch, This switch provides 8 10/100Base-T(X) Ethernet port and 2 1000Base-X SFP slot, the Ethernet port support Power-over-Ethernet (PoE) function. The switches are classified as power source equipment (PSE), and when used in this way, the switches enable centralization of the power supply, providing up to 30 watts of power per port and reducing the effort needed for installing power. The switches can be used to power IEEE802.3af/at standard devices (PD), eliminating the need for additional wiring.

JHA-IGS20F08P support CE, FCC, RoHS standard, adopt industry standard design, IP40 protection, rugged high-strength metal case, power input (DC48-58V). The switch support IEEE802.3, IEEE802.3u, IEEE802.3x with 10/100Base-T(X), full/half-duplex, and MDI/MDI-X auto-adaptation, the -40-85 °C operating temperature, can meet all kinds of industrial environment requirement, providing reliable and economic solution for your industrial Ethernet network.

## Specification

<b>Protocol Standard</b>	IEEE802.3, IEEE802.3u, IEEE802.3x, IEEE802.3af/at
<b>Flow Control</b>	IEEE802.3x flow control, back press flow control
<b>Switching Performance</b>	Forwarding Rate: 4.16Mpps Transmission Mode: Store and Forward Packet Buffer Size: 1M Backplane Bandwidth: 5.6Gbps MAC Table Size: 8K Delay Time: < 4μs
<b>Ethernet Port</b>	10/100Base-T(X) auto speed control, half/full duplex and MDI/MDI-X auto-adaptation
<b>Fiber Port</b>	1000Base-X SFP slot
<b>PoE</b>	Pin-out: 1/2(+), 3/6(-), IEEE802.3af max 15.4w, IEEE802.3at max 30w.
<b>LED Indicator</b>	Power Indicator: PWR Port Indicator: LINK / ACT
<b>Power Supply</b>	Input Voltage: DC48-58V Connector: 6 bit 5.08mm removable terminal block Full Load: <5W Protection Mechanism: overload protection, reverse connection protection, redundancy protection
<b>Mechanical Structure</b>	Shell: IP40 protection, aluminum alloy housing Dimension: 143*104*48mm( L*W*H ) Weight: 550g Installation: DIN-Rail mounting, wall mounting
<b>Operating Environment</b>	Operating Temperature: -40-85°C Storage Temperature: -40-85°C Ambient Relative Humidity: 5%-95% (non-condensing)
<b>Industry Standards</b>	EMI:FCC Part 15 Subpart B Class A, EN 55022 Class A EMS:EN61000-4-2 (ESD), Level 4 at 15kV(Air), 8kV(Contact) EN61000-4-3 (R/S), Level 3 at 10V/m EN61000-4-4 (EFT), Level 4 at 4kV(Power Port), 2kV(Date Port) EN61000-4-5 (Surge), Level 4 at 4kV EN61000-4-6 (CS), Level 3 at 10V/m EN61000-4-8, Level 5 at 100A/m Shock:IEC 60068-2-27 Free Fall:IEC 60068-2-32 Vibration:IEC 60068-2-6
<b>Certification</b>	CE, FCC, RoHS
<b>MTBF</b>	>100,000 Hours
<b>Warranty</b>	5-years

**Dimension**



**Order Information**

Model No.	Description of Goods
JHA-IGS20F08P	Unmanaged Industrial PoE Switch, 8 10/100Base-T(X) PoE/PoE+ and 2 1000Base-X SFP Slot, DIN-Rail, DC48-58V, -40-85° C Operating Temperature
<b>Power Supply:</b> DC48V DIN-Rail Power Supply or Power Adapter is Optional.	



## JHA-MIGS24P Series

6-port Managed Industrial PoE Switch, with 4 10/100/1000Base-T(X)  
IEEE802.3af/at PoE/PoE+ Port and 2 1000Base-X SFP Slot

### Features



- Support 4 10/100/1000Base-T(X) PoE/PoE+ port and 2 1000Base-X SFP slot.
- Support G.8032(ERPS), IEEE802.3, IEEE802.3u, IEEE802.3z, IEEE802.3x, IEEE802.3ad, IEEE802.3ab, IEEE802.3af/at, IEEE802.1p, IEEE802.1x, IEEE802.1Q, IGMP Snooping, IPv4/IPv6 precedence.
- Support CLI, SNMP, WEB management, Console/Telnet command-line management and syslog, using self-developed ring network technology, recovery time <20ms.
- DC48-58V redundancy power, reverse polarity protection.
- Support PoE/PoE+, IEEE802.3af: max 15.4W, IEEE802.3at: max 30W.

### Introduction

JHA-MIGS24P is a high performance, cost-effective high-end managed industrial PoE switch. The switch provides 4 10/100/1000Base-T(X) PoE/PoE+ port and 2 1000Base-X SFP slot. Each port has a PoE function, especially for difficult to provide AC power and wiring costs demanding application scenarios, automatically adapt to IEEE 802.3af/at standard.

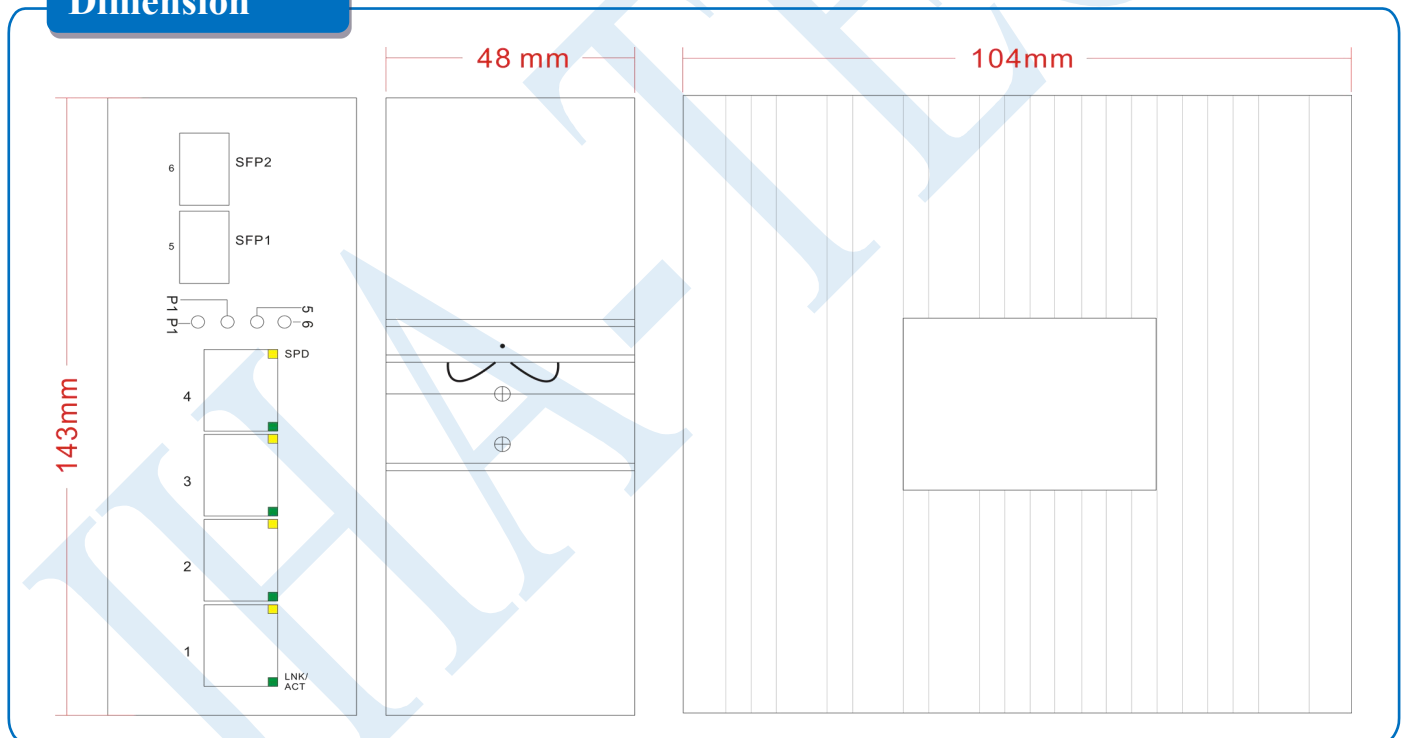
The use of a Ring technology (network fault recovery <20ms) the user can easily set the redundant ring network to increase network reliability, it also support WEB, CLI, Telnet/serial console, Windows utility, and SNMP management of a variety of ways, rich QoS features for data traffic control and management, support ring protocol, RSTP and STP Ethernet redundancy support port-based VLAN, IEEE 802.1Q VLAN and GVRP protocol. The product also industrial design, and can be widely used in automotive PIS, CCTV, video surveillance systems, train control system, but also applies to any vibration shock, EMC compatibility requirements of harsh industrial applications, can meet a variety of industrial site requirements to achieve higher reliability.

## Specification

<b>Protocol Standard</b>	G.8032(ERPS), IEEE802.3, IEEE802.3u, IEEE802.3z, IEEE802.3x, IEEE802.3ad, IEEE802.3ab, IEEE802.3af/at, IEEE802.1p, IEEE802.1x, IEEE802.1Q, IGMP Snooping, IPv4/IPv6 precedence
<b>Switching Performance</b>	Forwarding Rate: 17.856Mpps Transmission Mode: Store and Forward Packet Buffer Size: 12M Backplane Bandwidth: 24Gbps MAC Table Size: 16K Priority Queues: 8 Delay Time: < 10μs
<b>Ring Network Management</b>	Bandwidth Management: outbound port speed, speed limit particle size: 0 - 1G, step 100kbps Expanding Ring Back: based on port, support link aggregation/LACP, support load balancing, support port protection, Spanning Tree Protocol: STP, RSTP, MSTP System Upgrade: support under BOOTROM Xmodem/TFTP upgrade, support for system files and upload and upgrade configuration files User Management: Hierarchical user and password protection, port septum away, broken fiber alarm, power failure alarm System Maintenance: the optical module diagnostics, ping, port system count, support ERPS, ring protection switching time<20ms, with QOS traffic classification, priority level of trust, SP, WRR queue scheduling, support streaming strategies, suppression, support SNMP network pipe, support CLI/SNMP/WEB management, support Console and Telnet command line management and syslog
<b>Ethernet Port</b>	10/100/1000Base-T(X) auto speed control, full/half duplex and MDI/MDI-X auto-adaptation
<b>Fiber Port</b>	1000Base-X SFP slot
<b>PoE</b>	Pin-out: 1/2(+), 3/6(-), IEEE802.3af max 15.4w, IEEE802.3at max 30w.
<b>LED Indicator</b>	Power Indicator: PWR Port Indicator: LINK / ACT
<b>Power Supply</b>	Input Voltage: DC48-58V Connector: 6 bit 5.08mm removable terminal block Full Load: <10W Protection Mechanism: overload protection, reverse connection protection, redundancy protection
<b>Mechanical Structure</b>	Shell: IP40 protection, aluminum alloy housing Dimension: 143*104*48mm( L*W*H ) Weight: 550g Installation: DIN-Rail mounting, wall mounting Operating Temperature: -40-85°C

<b>Operating Environment</b>	Storage Temperature: -40-85°C Ambient Relative Humidity: 5%-95% (non-condensing)
<b>Industry Standards</b>	EMI:FCC Part 15 Subpart B Class A, EN 55022 Class A EMS:EN61000-4-2 (ESD), Level 4 at 15kV(Air), 8kV(Contact) EN61000-4-3 (R/S), Level 3 at 10V/m EN61000-4-4 (EFT), Level 4 at 4kV(Power Port), 2kV(Date Port) EN61000-4-5 (Surge), Level 4 at 4kV EN61000-4-6 (CS), Level 3 at 10V/m EN61000-4-8, Level 5 at 100A/m Shock:IEC 60068-2-27 Free Fall:IEC 60068-2-32 Vibration:IEC 60068-2-6
<b>Certification</b>	CE, FCC, RoHS
<b>MTBF</b>	>100,000 Hours
<b>Warranty</b>	5-years

### Dimension



### Order Information

Model No.	Description of Goods
JHA-MIGS24P	Managed Industrial PoE Switch, 4 10/100/1000Base-T(X) PoE/PoE+ and 2 1000Base-X SFP Slot, DIN-Rail, DC48-58V, -40-85° C Operating Temperature
<b>Power Supply:</b> DC48V DIN-Rail Power Supply or Power Adapter is Optional.	

## JHA-MIGS28P Series

10-port Managed Industrial PoE Switch, with 8 10/100/1000Base-T(X)  
IEEE802.3af/at PoE/PoE+ Port and 2 1000Base-X SFP Slot

### Features



- Support 8 10/100/1000Base-T(X) PoE/PoE+ port and 2 1000Base-X SFP slot.
- Support G.8032(ERPS), IEEE802.3, IEEE802.3u, IEEE802.3z, IEEE802.3x, IEEE802.3ad, IEEE802.3ab, IEEE802.3af/at, IEEE802.1p, IEEE802.1x, IEEE802.1Q, IGMP Snooping, IPv4/IPv6 precedence.
- Support CLI, SNMP, WEB management, Console/Telnet command-line management and syslog, using self-developed ring network technology, recovery time <20ms.
- DC48-58V redundancy power, reverse polarity protection.
- Support PoE/PoE+, IEEE802.3af: max 15.4W, IEEE802.3at: max 30W.



### Introduction

JHA-MIGS28P is a high performance, cost-effective high-end managed industrial PoE switch. The switch provides 8 10/100/1000Base-T(X) PoE/PoE+ port and 2 1000Base-X SFP slot. Each port has a PoE function, especially for difficult to provide AC power and wiring costs demanding application scenarios, automatically adapt to IEEE 802.3af/at standard.

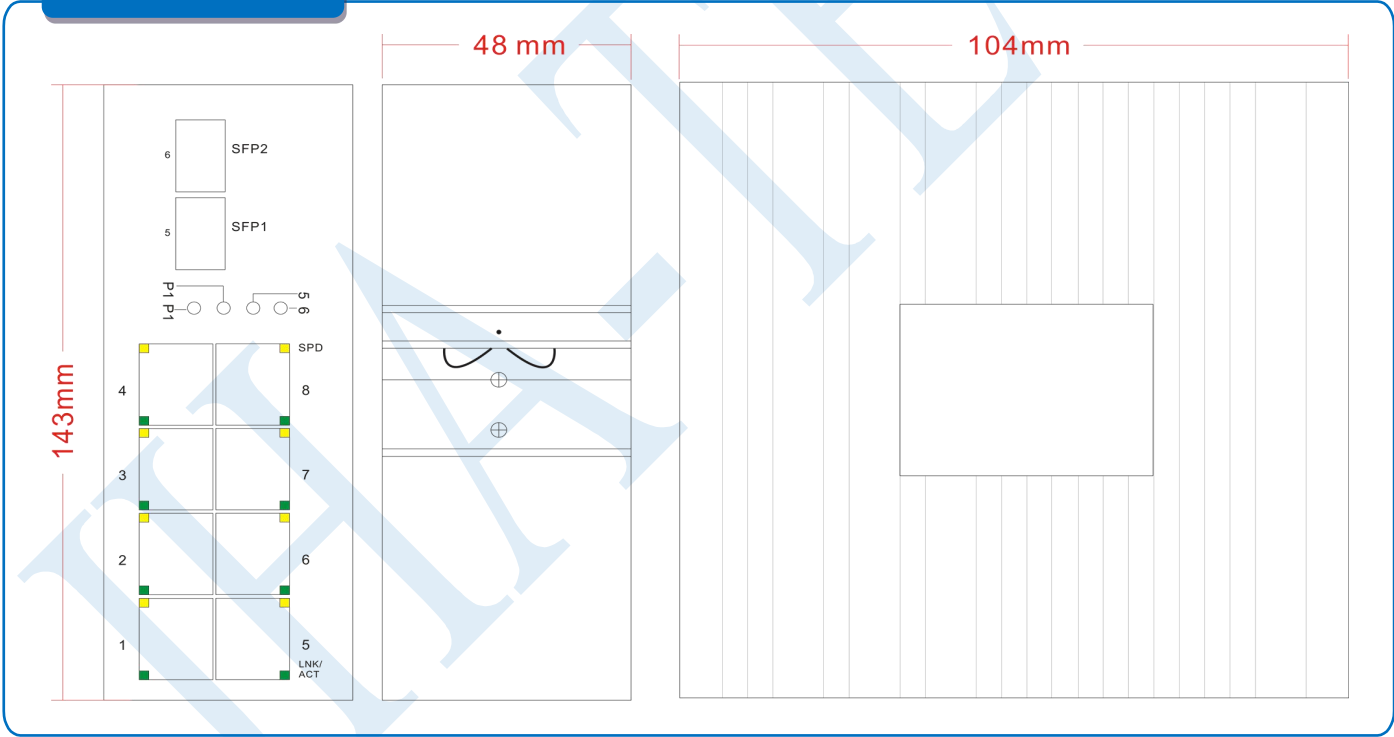
The use of a Ring technology (network fault recovery <20ms) the user can easily set the redundant ring network to increase network reliability, it also support WEB, CLI, Telnet/serial console, Windows utility, and SNMP management of a variety of ways, rich QoS features for data traffic control and management, support ring protocol, RSTP and STP Ethernet redundancy support port-based VLAN, IEEE 802.1Q VLAN and GVRP protocol. The product also industrial design, and can be widely used in automotive PIS, CCTV, video surveillance systems, train control system, but also applies to any vibration shock, EMC compatibility requirements of harsh industrial applications, can meet a variety of industrial site requirements to achieve higher reliability.

## Specification

<b>Protocol Standard</b>	G.8032(ERPS), IEEE802.3, IEEE802.3u, IEEE802.3z, IEEE802.3x, IEEE802.3ad, IEEE802.3ab, IEEE802.3af/at, IEEE802.1p, IEEE802.1x, IEEE802.1Q, IGMP Snooping, IPv4/IPv6 precedence
<b>Switching Performance</b>	Forwarding Rate: 26.7Mpps Transmission Mode: Store and Forward Packet Buffer Size: 8M Backplane Bandwidth: 24Gbps MAC Table Size: 16K Priority Queues: 8 Delay Time: < 10μs
<b>Ring Network Management</b>	Bandwidth Management: outbound port speed, speed limit particle size: 0 - 1G, step 100kbps
	Expanding Ring Back: based on port, support link aggregation/LACP, support load balancing, support port protection, Spanning Tree Protocol: STP, RSTP, MSTP
	System Upgrade: support under BOOTROM Xmodem/TFTP upgrade, support for system files and upload and upgrade configuration files
	User Management: hierarchical user and password protection, port septum away, broken fiber alarm, power failure alarm
	System Maintenance: the optical module diagnostics, ping, port system count, support ERPS, ring protection switching time<20ms, with QOS traffic classification, priority level of trust, SP, WRR queue scheduling, support streaming strategies, suppression, support SNMP network pipe, support CLI/SNMP/WEB management, support Console and Telnet command line management and syslog
<b>Ethernet Port</b>	10/100/1000Base-T(X) auto speed control, full/half duplex and MDI/MDI-X auto-adaptation
<b>Fiber Port</b>	1000Base-X SFP slot
<b>PoE</b>	Pin-out: 1/2(+), 3/6(-), IEEE802.3af max 15.4w, IEEE802.3at max 30w.
<b>LED Indicator</b>	Power Indicator: PWR Port Indicator: LINK / ACT
<b>Power Supply</b>	Input Voltage: DC48-58V Connector: 6 bit 5.08mm removable terminal block Full Load: <10W Protection Mechanism: overload protection, reverse connection protection, redundancy protection
<b>Mechanical Structure</b>	Shell: IP40 protection, aluminum alloy housing Dimension: 143*104*48mm( L*W*H ) Weight: 550g Installation: DIN-Rail mounting, wall mounting
	Operating Temperature: -40-85°C

<b>Operating Environment</b>	Storage Temperature: -40-85°C Ambient Relative Humidity: 5%-95% (non-condensing)
<b>Industry Standards</b>	EMI:FCC Part 15 Subpart B Class A, EN 55022 Class A EMS:EN61000-4-2 (ESD), Level 4 at 15kV(Air), 8kV(Contact) EN61000-4-3 (R/S), Level 3 at 10V/m EN61000-4-4 (EFT), Level 4 at 4kV(Power Port), 2kV(Date Port) EN61000-4-5 (Surge), Level 4 at 4kV EN61000-4-6 (CS), Level 3 at 10V/m EN61000-4-8, Level 5 at 100A/m Shock:IEC 60068-2-27 Free Fall:IEC 60068-2-32 Vibration:IEC 60068-2-6
<b>Certification</b>	CE, FCC, RoHS
<b>MTBF</b>	>100,000 Hours
<b>Warranty</b>	5-years

**Dimension**



**Order Information**

Model No.	Description of Goods
JHA-MIGS28P	Managed Industrial PoE Switch, 8 10/100/1000Base-T(X) PoE/PoE+ and 2 1000Base-X SFP Slot, DIN-Rail, DC48-58V, -40-85° C Operating Temperature
<b>Power Supply:</b> DC48V DIN-Rail Power Supply or Power Adapter is Optional.	

## JHA-MIGS48P Series

12-port Managed Industrial PoE Switch, with 8 10/100/1000Base-T(X)

IEEE802.3af/at PoE/PoE+ Port and 4 1000Base-X SFP Slot

### Features



- Support 8 10/100/1000Base-T(X) PoE/PoE+ port and 4 1000Base-X SFP slot.
- Support G.8032(ERPS), IEEE802.3, IEEE802.3u, IEEE802.3z, IEEE802.3x, IEEE802.3ad, IEEE802.3ab, IEEE802.3af/at, IEEE802.1p, IEEE802.1x, IEEE802.1Q, IGMP Snooping, IPv4/IPv6 precedence.
- Support CLI, SNMP, WEB management, Console/Telnet command-line management and syslog, using self-developed ring network technology, recovery time <20ms.
- DC48-58V redundancy power, reverse polarity protection.
- Support PoE/PoE+, IEEE802.3af: max 15.4W, IEEE802.3at: max 30W.



### Introduction

JHA-MIGS48P is a high performance, cost-effective high-end managed industrial PoE switch. The switch provides 8 10/100/1000Base-T(X) PoE/PoE+ port and 4 1000Base-X SFP slot. Each port has a PoE function, especially for difficult to provide AC power and wiring costs demanding application scenarios, automatically adapt to IEEE 802.3af/at standard.

The use of a Ring technology (network fault recovery <20ms) the user can easily set the redundant ring network to increase network reliability, it also support WEB, CLI, Telnet/serial console, Windows utility, and SNMP management of a variety of ways, rich QoS features for data traffic control and management, support ring protocol, RSTP and STP Ethernet redundancy support port-based VLAN, IEEE 802.1Q VLAN and GVRP protocol. The product also industrial design, and can be widely used in automotive PIS, CCTV, video surveillance systems, train control system, but also applies to any vibration shock, EMC compatibility requirements of harsh industrial applications, can meet a variety of industrial site requirements to achieve higher reliability.

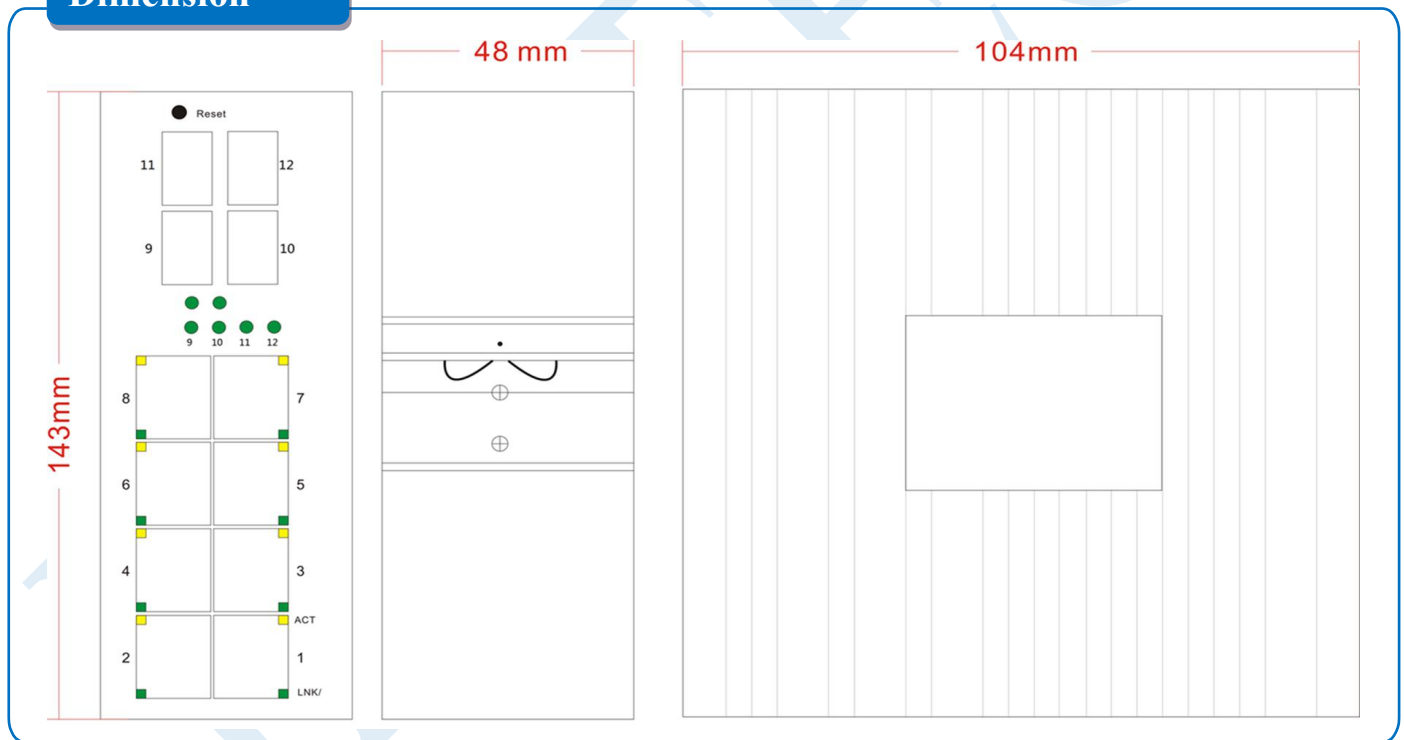
## Specification

<b>Protocol Standard</b>	G.8032(ERPS), IEEE802.3, IEEE802.3u, IEEE802.3z, IEEE802.3x, IEEE802.3ad, IEEE802.3ab, IEEE802.3af/at, IEEE802.1p, IEEE802.1x, IEEE802.1Q, IGMP Snooping, IPv4/IPv6 precedence
<b>Switching Performance</b>	Forwarding Rate: 26.7Mpps Transmission Mode: Store and Forward Packet Buffer Size: 12M Backplane Bandwidth: 24Gbps MAC Table Size: 16K Priority Queues: 8 Delay Time: < 10μs
<b>Ring Network Management</b>	Bandwidth Management: outbound port speed, speed limit particle size: 0 - 1G, step 100kbps Expanding Ring Back: based on port, support link aggregation/LACP, support load balancing, support port protection, Spanning Tree Protocol: STP, RSTP, MSTP System Upgrade: support under BOOTROM Xmodem/TFTP upgrade, support for system files and upload and upgrade configuration files User Management: hierarchical user and password protection, port septum away, broken fiber alarm, power failure alarm System Maintenance: the optical module diagnostics, ping, port system count, support ERPS, ring protection switching time<20ms, with QOS traffic classification, priority level of trust, SP, WRR queue scheduling, support streaming strategies, suppression, support SNMP network pipe, support CLI/SNMP/WEB management, support Console and Telnet command line management and syslog
<b>Ethernet Port</b>	10/100/1000Base-T(X) auto speed control, full/half duplex and MDI/MDI-X auto-adaptation
<b>Fiber Port</b>	1000Base-X SFP slot
<b>PoE</b>	Pin-out: 1/2(+), 3/6(-), IEEE802.3af max 15.4w, IEEE802.3at max 30w.
<b>LED Indicator</b>	Power Indicator: PWR Port Indicator: LINK / ACT
<b>Power Supply</b>	Input Voltage: DC48-58V Connector: 6 bit 5.08mm removable terminal block Full Load: <10W Protection Mechanism: overload protection, reverse connection protection, redundancy protection
<b>Mechanical Structure</b>	Shell: IP40 protection, aluminum alloy housing Dimension: 143*104*48mm( L*W*H ) Weight: 600g Installation: DIN-Rail mounting, wall mounting Operating Temperature: -40-85°C



<b>Operating Environment</b>	Storage Temperature: -40-85°C Ambient Relative Humidity: 5%-95% (non-condensing)
<b>Industry Standards</b>	EMI:FCC Part 15 Subpart B Class A, EN 55022 Class A EMS:EN61000-4-2 (ESD), Level 4 at 15kV(Air), 8kV(Contact) EN61000-4-3 (R/S), Level 3 at 10V/m EN61000-4-4 (EFT), Level 4 at 4kV(Power Port), 2kV(Date Port) EN61000-4-5 (Surge), Level 4 at 4kV EN61000-4-6 (CS), Level 3 at 10V/m EN61000-4-8, Level 5 at 100A/m Shock:IEC 60068-2-27 Free Fall:IEC 60068-2-32 Vibration:IEC 60068-2-6
<b>Certification</b>	CE, FCC, RoHS
<b>MTBF</b>	>100,000 Hours
<b>Warranty</b>	5-years

### Dimension



### Order Information

Model No.	Description of Goods
JHA-MIGS48P	Managed Industrial PoE Switch, 8 10/100/1000Base-T(X) PoE/PoE+ and 4 1000Base-X SFP Slot, DIN-Rail, DC48-58V, -40-85° C Operating Temperature
<b>Power Supply:</b> DC48V DIN-Rail Power Supply or Power Adapter is Optional.	