

PRODUCTS INFORMATION:

- 10/100Base Fiber Ethernet Switch
- 10/100/1000Base Fiber Ethernet Switch

CONTENTS

Fast Fiber Ethernet Switch

1*100Base-FX + 2*10/100Base-T(X)	002-004
1*100Base-FX + 4*10/100Base-T(X)	005-007
2*100Base-FX + 4*10/100Base-T(X)	008-010

Gigabit Fiber Ethernet Switch

1*1000Base-FX + 2*10/100/1000Base-T(X)	011-013
1*1000Base-FX + 4*10/100/1000Base-T(X)	014-016
1*1000Base-FX + 8*10/100/1000Base-T(X)	017-019
2*1000Base-FX + 4*10/100/1000Base-T(X)	020-022
2*1000Base-FX + 8*10/100/1000Base-T(X)	023-025
8*1000Base-X SFP Slot + 2*10/100/1000Base-T(X)	026-028

JHA-F12 Series

3-port Fiber Media Converter, 1-port 100Base-FX and 2-port 10/100Base-T(X)

Introduction



JHA-F12 series fiber media converter complies with IEEE802.3 standards, It is designed to convert data signal between 100Base-FX and 10/100Base-T(X) fast Ethernet.

The media converter is connected between fiber cable and twisted cable, extend your Ethernet network beyond the 100-meter limit imposed by copper cable.

This converter model can be used as slide-in module to the 14-slot 19" Rack-Mount Chassis.

Converter is transparent to all protocols, can be used all all areas as Fiber to The Home, Fiber to the Business or Fiber to The Curb.

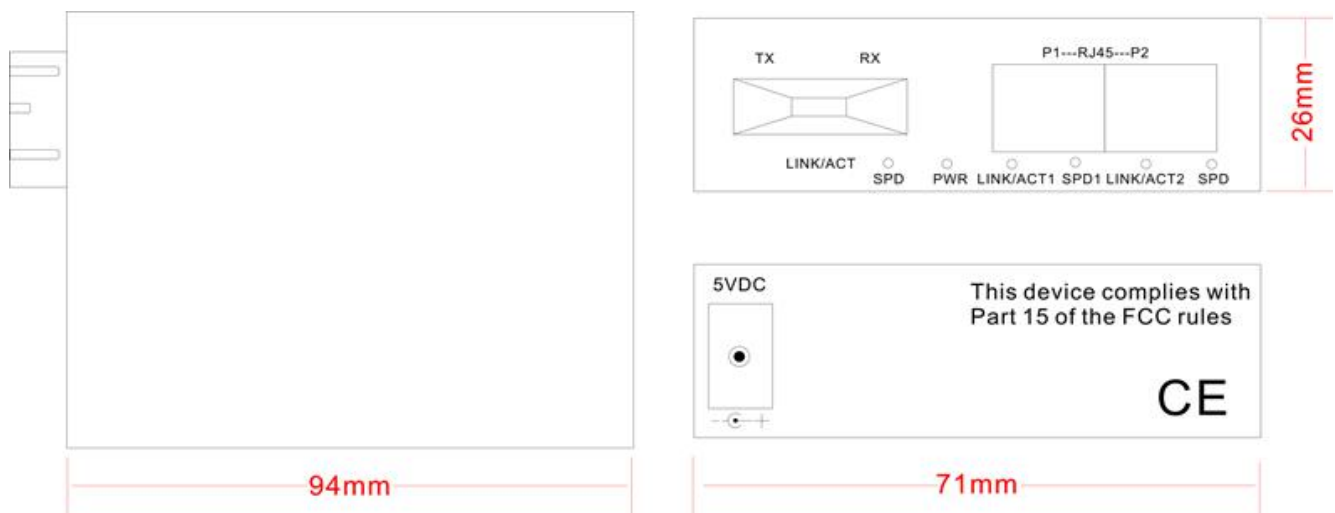
Features

- Compliance with IEEE 802.3, IEEE 802.3u, IEEE 802.3X, IEEE 802.1Q, 10Base-TX, 100Base-TX, 100Base-FX standards.
- It supports TCP / IP, PPPOE, DHCP, ICMP, NAT protocol.
- Flow control: Full duplex using IEEE 802.3X, a standard half-duplex adopt Backpressure.
- Electrical ports support auto-negotiation function, automatically adjusts the transmission and transfer rates.
- Ports support Auto-MDI / MDIX auto-flip.
- Support store and forward mode.
- Supports 10M, 100M mode or adaptive mode.
- Provide status indicators, external power supply (output 5V ~ 50Hz 1A).
- The card design, to facilitate future maintenance and inspection equipment.
- Modular power supply design, function board with separate power supply design, easy to

post-maintenance.

- Unique IC solutions, the chip temperature low, to get rid of plus cooling system, flow control and reduce broadcast storms.
- High-quality integrated photovoltaic module provides good optical properties and electrical properties to ensure reliable transmission, long life.
- Operating Mechanism broadcast filtering, address auto-learning and auto-update feature and store and forward.
- It supports up to 1916 byte long data packet transmission.
- Missing link to provide remote diagnostics, electrical interface and optical port link link connection diagnostics, dynamic data transmission, full-duplex / half duplex, speed light, easy installation and later maintenance.
- Ultra-low power consumption of less than 2.5W (Input: AC110 ~ 260V), low heat, stable operation for a long time.

Dimension



Specification

Protocol Standard	IEEE802.3, IEEE802.3u, IEEE802.3x Flow control, IEEE802.1q, IEEE802.1p QoS, IEEE802.1d Spanning Tree
Wavelength	850nm/1310nm/1550nm
Transmission Distance	Cat5 100m Multimode, Single/Dual-fiber 2Km Single Mode, Single-fiber 20/40/60/80/100Km Single Mode, Dual-fiber 20/40/60/80/100/120Km
Ethernet Port	10/100M RJ45 Ports, Connection STP / UTP Cat5/Cat5e Cooper Cable
Fiber Port	Multimode, Dual-fiber SC/ST/FC (Diameter 50/125, 62.5 / 125μm) Single Mode, Single Fiber, SC/ST/FC (Diameter 9/125μm) Single Mode, Dual-fiber SC/FC (diameter 9/125μm)
Exchange Attribute	Conversion Method: Media conversion, store and forward / straight in MAC Add: 1 K Cache: 1 Mbit Full duplex state: flow control, half-duplex: backpressure mode Store and Forward: 9.6us, Straight In: 0.9us BER: <1/1000000000
LED Indicator	PWR(Power Supply) FX LINK/ACT FDX (Ethernet port full / half duplex mode) TX LINK/ACT (Ethernet port communication / action) 100 (100/10M transmission rate) FX (Optical signal)
Power Supply	Power Input: DC5V1A Full Load: <2.5 W
Working Environment	Operating Temperature: -20~70°C Storage Temperature: -40~70°C Storage Humidity: 5% to 90% non-condensing
Dimension	94*71*26mm (L * W * H)
Certification	CE, FCC, RoHS
Warranty	3-years

Order Information

Model No.	Description of Goods
JHA-F12	10/100M Multimode, Dual Fiber, 2Km, SC/ST/FC Connector
JHA-F12-20/40/60/80	10/100M Single-mode, Dual Fiber, 20/40/60/80Km, SC/ST/FC Connector
JHA-F12W-20/40/60/80	10/100M Single-mode, Single Fiber, 20/40/60/80Km, SC/ST/FC Connector

JHA-F14 Series

5-port Fiber Ethernet Switch, 1-port 100Base-FX and 4-port 10/100Base-T(X)

Introduction



JHA-F14 series is complies with IEEE802.3 standards, It is designed to convert data signal between 100Base-FX and 10/100Base-T(X) fast Ethernet.

The media converter is connected between fiber cable and twisted cable, extend your Ethernet network beyond the 100-meter limit imposed by copper cable.

Converter is transparent to all protocols, can be used all all areas as Fiber to The Home, Fiber to the Business or Fiber to The Curb.



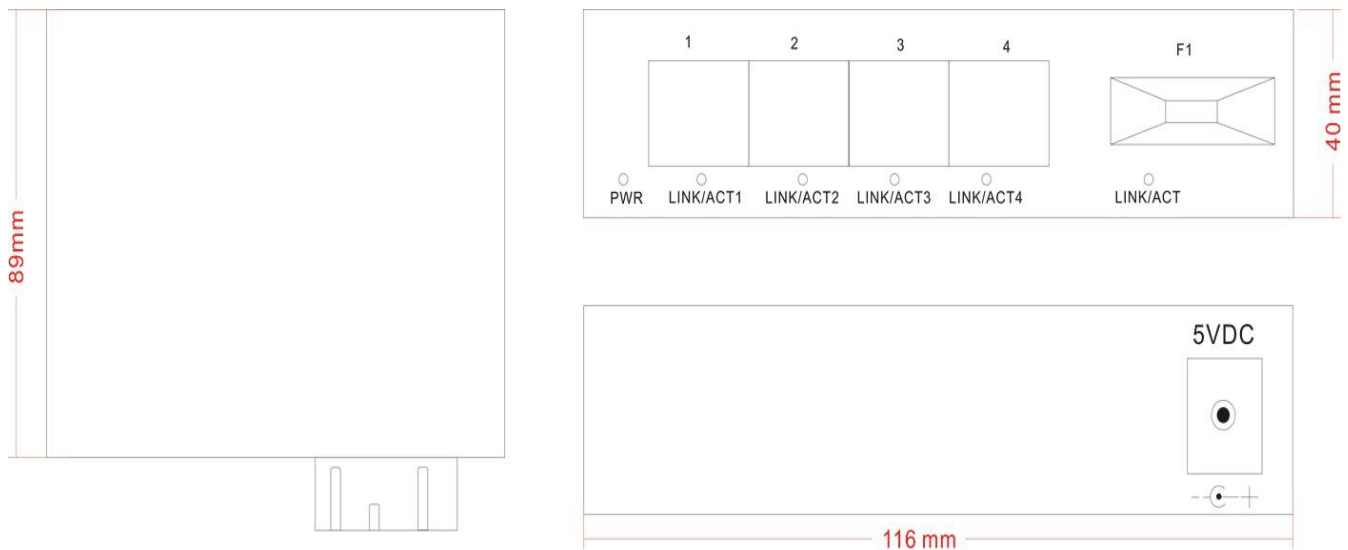
Features

- Compliance with IEEE 802.3, IEEE 802.3u, IEEE 802.3X, IEEE 802.1Q, 10Base-TX, 100Base-TX, 100Base-FX standards.
- It supports TCP / IP, PPPOE, DHCP, ICMP, NAT protocol.
- Flow control: Full duplex using IEEE 802.3X, a standard half-duplex adopt Backpressure.
- Electrical ports support auto-negotiation function, automatically adjusts the transmission and transfer rates.
- Ports support Auto-MDI / MDIX auto-flip.
- Support store and forward mode.
- Supports 10M, 100M mode or adaptive mode.
- Provide status indicators, external power supply (output 5V ~ 50Hz 2A).
- The card design, to facilitate future maintenance and inspection equipment.
- Modular power supply design, function board with separate power supply design, easy to post-maintenance.
- Unique IC solutions, the chip temperature low, to get rid of plus cooling system, flow control and

reduce broadcast storms.

- High-quality integrated photovoltaic module provides good optical properties and electrical properties to ensure reliable transmission, long life.
- Operating Mechanism broadcast filtering, address auto-learning and auto-update feature and store and forward.
- It supports up to 1916 byte long data packet transmission.
- Missing link to provide remote diagnostics, electrical interface and optical port link link connection diagnostics, dynamic data transmission, full-duplex / half duplex, speed light, easy installation and later maintenance.
- Ultra-low power consumption of less than 2.5W (Input: AC110 ~ 260V), low heat, stable operation for a long time.

Dimension



Specification

Protocol Standard	IEEE802.3, IEEE802.3u, IEEE802.3x Flow control, IEEE802.1q, IEEE802.1p QoS, IEEE802.1d Spanning Tree
Wavelength	850nm/1310nm/1550nm
Transmission Distance	Cat5 100m Multimode, Single/Dual-fiber 2Km Single Mode, Single-fiber 20/40/60/80/100Km Single Mode, Dual-fiber 20/40/60/80/100/120Km
Ethernet Port	10/100M RJ45 Ports, Connection STP / UTP Cat5/Cat5e Cooper Cable
Fiber Port	Multimode, Dual-fiber SC/ST/FC (Diameter 50/125, 62.5 / 125 μ m) Single Mode, Single Fiber, SC/ST/FC (Diameter 9/125 μ m) Single Mode, Dual-fiber SC/FC (diameter 9/125 μ m)
Exchange Attribute	Conversion Method: Media conversion, store and forward / straight in MAC Add: 1 K Cache: 1 Mbit Full duplex state: flow control, half-duplex: backpressure mode Store and Forward: 9.6us, Straight In: 0.9us BER: <1/1000000000
LED Indicator	PWR(Power Supply) FX LINK/ACT FDX (Ethernet port full / half duplex mode) TX LINK/ACT (Ethernet port communication / action) 100 (100/10M transmission rate) FX (Optical signal)
Power Supply	Power Input: DC5V2A Full Load: <2.5 W
Working Environment	Operating Temperature: -20~70 $^{\circ}$ C Storage Temperature: -40~70 $^{\circ}$ C Storage Humidity: 5% to 90% non-condensing
Dimension	116*89*40mm (L * W * H)
Certification	CE, FCC, RoHS
Warranty	3-years

Order Information

Model No.	Description of Goods
JHA-F14	10/100M Multimode, Dual Fiber, 2Km, SC/ST/FC Connector
JHA-F14-20/40/60/80/100/120	10/100M Single-mode, Dual Fiber, 20/40/60/80/100/120Km, SC/ST/FC Connector
JHA-F14W-20/40/60/80/100/120	10/100M Single-mode, Single Fiber, 20/40/60/80/100/120Km, SC/ST/FC Connector

JHA-F24 Series

6-port Fiber Ethernet Switch, 2-port 100Base-FX and 4-port 10/100Base-T(X)

Introduction



JHA-F24 series is complies with IEEE802.3 standards, It is designed to convert data signal between 100Base-FX and 10/100Base-T(X) fast Ethernet.

The media converter is connected between fiber cable and twisted cable, extend your Ethernet network beyond the 100-meter limit imposed by copper cable.

Converter is transparent to all protocols, can be used all all areas as Fiber to The Home, Fiber to the Business or Fiber to The Curb.



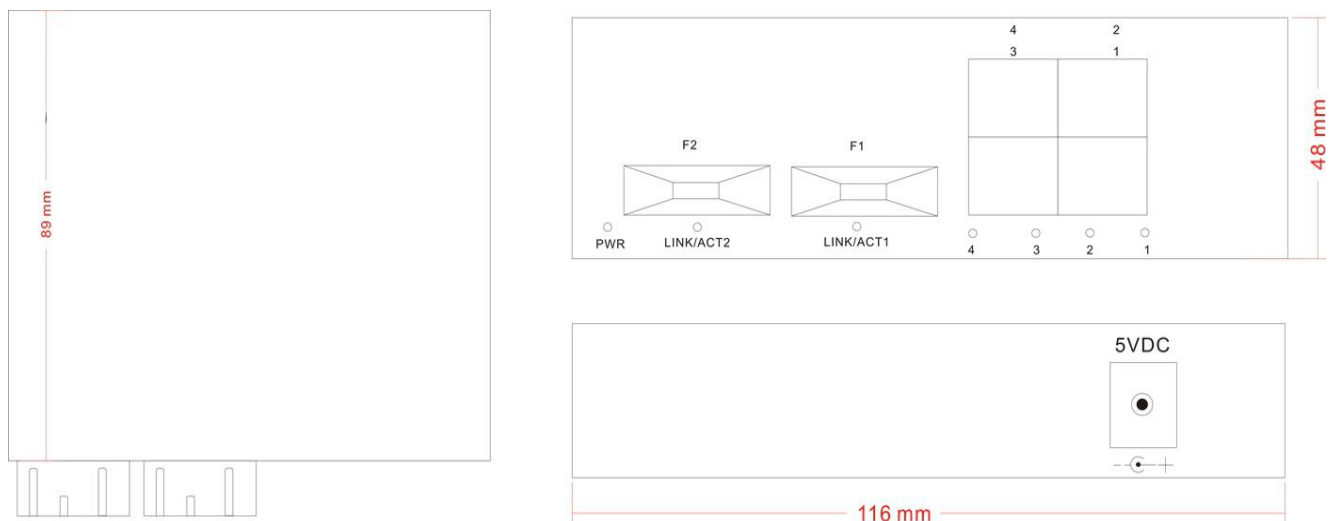
Features

- Compliance with IEEE 802.3, IEEE 802.3u, IEEE 802.3X, IEEE 802.1Q, 10Base-TX, 100Base-TX, 100Base-FX standards.
- It supports TCP / IP, PPPOE, DHCP, ICMP, NAT protocol.
- Flow control: Full duplex using IEEE 802.3X, a standard half-duplex adopt Backpressure.
- Electrical ports support auto-negotiation function, automatically adjusts the transmission and transfer rates.
- Ports support Auto-MDI / MDIX auto-flip.
- Support store and forward mode.
- Supports 10M, 100M mode or adaptive mode.
- Provide status indicators, external power supply (output 5V ~ 50Hz 2A).
- The card design, to facilitate future maintenance and inspection equipment.
- Modular power supply design, function board with separate power supply design, easy to post-maintenance.
- Unique IC solutions, the chip temperature low, to get rid of plus cooling system, flow control and

reduce broadcast storms.

- High-quality integrated photovoltaic module provides good optical properties and electrical properties to ensure reliable transmission, long life.
- Operating Mechanism broadcast filtering, address auto-learning and auto-update feature and store and forward.
- It supports up to 1916 byte long data packet transmission.
- Missing link to provide remote diagnostics, electrical interface and optical port link link connection diagnostics, dynamic data transmission, full-duplex / half duplex, speed light, easy installation and later maintenance.
- Ultra-low power consumption of less than 2.5W (Input: AC110 ~ 260V), low heat, stable operation for a long time.

Dimension



Specification

Protocol Standard	IEEE802.3, IEEE802.3u, IEEE802.3x Flow control, IEEE802.1q, IEEE802.1p QoS, IEEE802.1d Spanning Tree
Wavelength	850nm/1310nm/1550nm
Transmission Distance	Cat5 100m Multimode, Single/Dual-fiber 2Km Single Mode, Single-fiber 20/40/60/80/100Km Single Mode, Dual-fiber 20/40/60/80/100/120Km
Ethernet Port	10/100M RJ45 Ports, Connection STP / UTP Cat5/Cat5e Cooper Cable
Fiber Port	Multimode, Dual-fiber SC/ST/FC (Diameter 50/125, 62.5 / 125μm) Single Mode, Single Fiber, SC/ST/FC (Diameter 9/125μm) Single Mode, Dual-fiber SC/FC (diameter 9/125μm)
Exchange Attribute	Conversion Method: Media conversion, store and forward / straight in MAC Add: 1 K Cache: 1 Mbit Full duplex state: flow control, half-duplex: backpressure mode Store and Forward: 9.6us, Straight In: 0.9us BER: <1/1000000000
LED Indicator	PWR(Power Supply) FX LINK/ACT FDX (Ethernet port full / half duplex mode) TX LINK/ACT (Ethernet port communication / action) 100 (100/10M transmission rate) FX (Optical signal)
Power Supply	Power Input: DC5V2A Full Load: <2.5 W
Working Environment	Operating Temperature: -20~70°C Storage Temperature: -40~70°C Storage Humidity: 5% to 90% non-condensing
Dimension	116*89*48mm (L * W * H)
Certification	CE, FCC, RoHS
Warranty	3-years

Order Information

Model No.	Description of Goods
JHA-F24	10/100M Multimode, Dual Fiber, 2Km, SC/ST/FC Connector
JHA-F24-20/40/60/80/100/120	10/100M Single-mode, Dual Fiber, 20/40/60/80/100/120Km, SC/ST/FC Connector
JHA-F24W-20/40/60/80/100/120	10/100M Single-mode, Single Fiber, 20/40/60/80/100/120Km, SC/ST/FC Connector

JHA-G12 Series

3-port Gigabit Fiber Media Converter, 1-port 1000Base-FX and 2-port 10/100/1000Base-T(X)

Introduction



JHA-G12 series is complies with IEEE802.3 standards, It is designed to convert data signal between 1000Base-FX and 10/100/1000Base-T(X) Ethernet.

The media converter is connected between fiber cable and twisted cable, extend your Ethernet network beyond the 100-meter limit imposed by copper cable.

This converter model can be used as slide-in module to the 14-slot 19" Rack-Mount Chassis.

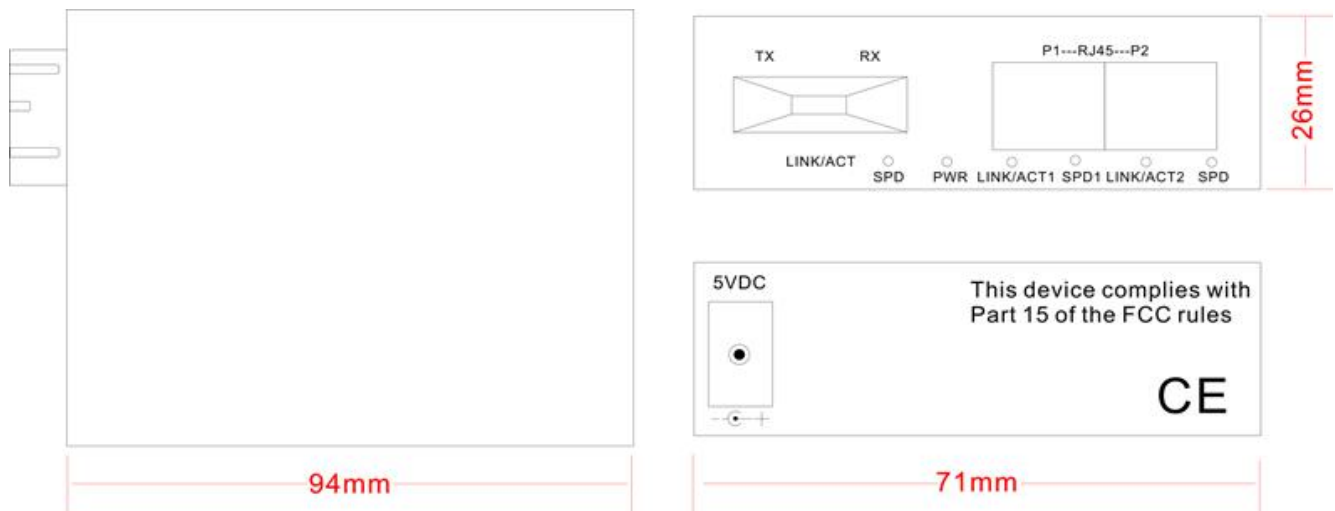
Converter is transparent to all protocols, can be used all all areas as Fiber to The Home, Fiber to the Business or Fiber to The Curb.

Features

- Compliance with IEEE 802.3, IEEE 802.3u, IEEE 802.3X, IEEE 802.1Q, 10Base-TX, 100Base-TX, 1000Base-TX, 1000Base-FX standards.
- It supports TCP / IP, PPPOE, DHCP, ICMP, NAT protocol.
- Flow control: Full duplex using IEEE 802.3X, a standard half-duplex adopt Backpressure.
- Electrical ports support auto-negotiation function, automatically adjusts the transmission and transfer rates.
- Ports support Auto-MDI / MDIX auto-flip.
- Support store and forward mode.
- Supports 10M, 100M, 1000M mode or adaptive mode.
- Provide status indicators, external power supply (output 5V ~ 50Hz 2A).
- The card design, to facilitate future maintenance and inspection equipment.

- Modular power supply design, function board with separate power supply design, easy to post-maintenance.
- Unique IC solutions, the chip temperature low, to get rid of plus cooling system, flow control and reduce broadcast storms.
- High-quality integrated photovoltaic module provides good optical properties and electrical properties to ensure reliable transmission, long life.
- Operating Mechanism broadcast filtering, address auto-learning and auto-update feature and store and forward.
- It supports up to 1916 byte long data packet transmission.
- Missing link to provide remote diagnostics, electrical interface and optical port link link connection diagnostics, dynamic data transmission, full-duplex / half duplex, speed light, easy installation and later maintenance.
- Ultra-low power consumption of less than 2.5W (Input: AC110 ~ 260V), low heat, stable operation for a long time.

Dimension



Specification

Protocol Standard	IEEE802.3, IEEE802.3u, IEEE802.3z, IEEE802.3ab, IEEE802.1q, IEEE802.1p QoS, IEEE802.1d Spanning Tree
Wavelength	850nm/1310nm/1550nm
Transmission Distance	Cat5 100m Multimode, Single/Dual-fiber 550m Single Mode, Single-fiber 20/40/60/80/100Km Single Mode, Dual-fiber 20/40/60/80/100/120Km
Ethernet Port	RJ45 Ports, Connection STP / UTP Cat5/Cat5e Cooper Cable
Fiber Port	Multimode, Dual-fiber SC/ST/FC (Diameter 50/125, 62.5 / 125 μ m) Single Mode, Single Fiber, SC/ST/FC (Diameter 9/125 μ m) Single Mode, Dual-fiber SC/FC (diameter 9/125 μ m)
Exchange Attribute	Conversion Method: Media conversion, store and forward / straight in MAC Add: 1 K Cache: 1 Mbit Full duplex state: flow control, half-duplex: backpressure mode Store and Forward: 9.6us, Straight In: 0.9us BER: <1/1000000000
LED Indicator	PWR(Power Supply) FX LINK/ACT FDX (Ethernet port full / half duplex mode) TX LINK/ACT (Ethernet port communication / action) 1000 (1000/100/10M transmission rate) FX (Optical signal)
Power Supply	Power Input: DC5V 2A Full Load: <2.5 W
Working Environment	Operating Temperature: -20~70 $^{\circ}$ C Storage Temperature: -40~70 $^{\circ}$ C Storage Humidity: 5% to 90% non-condensing
Dimension	94*71*26mm (L * W * H)
Certification	CE, FCC, RoHS
Warranty	3-years

Order Information

Model No.	Description of Goods
JHA-G12	10/100/1000M Multimode, Dual Fiber, 550m, SC/ST/FC Connector
JHA-G12-20/40/60/ 80/100	10/100/1000M Single-mode, Dual Fiber, 20/40/60/80/100Km, SC/ST/FC Connector
JHA-G12W-20/40/6 0/80/100	10/100/1000M Single-mode, Single Fiber, 20/40/60/80/100Km, SC/ST/FC Connector

JHA-G14 Series

5-port Gigabit Fiber Ethernet Switch, 1-port 1000Base-FX and 4-port 10/100/1000Base-T(X)

Introduction



JHA-G14 series is complies with IEEE802.3 standards, It is designed to convert data signal between 1000Base-FX and 10/100/1000Base-T(X) Ethernet.

The media converter is connected between fiber cable and twisted cable, extend your Ethernet network beyond the 100-meter limit imposed by copper cable.

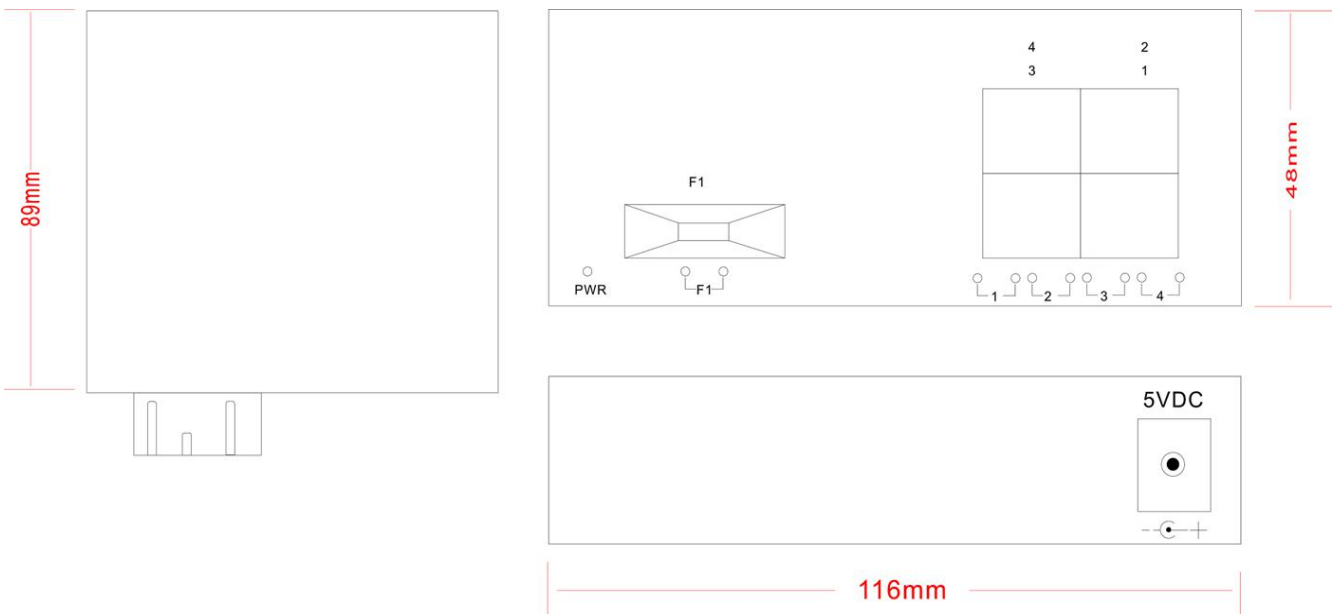
Converter is transparent to all protocols, can be used all all areas as Fiber to The Home, Fiber to the Business or Fiber to The Curb.

Features

- Compliance with IEEE 802.3, IEEE 802.3u, IEEE 802.3X, IEEE 802.1Q, 10Base-TX, 100Base-TX, 1000Base-TX, 1000Base-FX standards.
- It supports TCP / IP, PPPOE, DHCP, ICMP, NAT protocol.
- Flow control: Full duplex using IEEE 802.3X, a standard half-duplex adopt Backpressure.
- Electrical ports support auto-negotiation function, automatically adjusts the transmission and transfer rates.
- Ports support Auto-MDI / MDIX auto-flip.
- Support store and forward mode.
- Supports 10M, 100M, 1000M mode or adaptive mode.
- Provide status indicators, external power supply (output 5V ~ 50Hz 2A).
- The card design, to facilitate future maintenance and inspection equipment.
- Modular power supply design, function board with separate power supply design, easy to post-maintenance.

- Unique IC solutions, the chip temperature low, to get rid of plus cooling system, flow control and reduce broadcast storms.
- High-quality integrated photovoltaic module provides good optical properties and electrical properties to ensure reliable transmission, long life.
- Operating Mechanism broadcast filtering, address auto-learning and auto-update feature and store and forward.
- It supports up to 1916 byte long data packet transmission.
- Missing link to provide remote diagnostics, electrical interface and optical port link link connection diagnostics, dynamic data transmission, full-duplex / half duplex, speed light, easy installation and later maintenance.
- Ultra-low power consumption of less than 2.5W (Input: AC110 ~ 260V), low heat, stable operation for a long time.

Dimension



Specification

Protocol Standard	IEEE802.3, IEEE802.3u, IEEE802.3z, IEEE802.1q, IEEE802.3ab, IEEE802.1p QoS, IEEE802.1d Spanning Tree
Wavelength	850nm/1310nm/1550nm
Transmission Distance	Cat5 100m Multimode, Single/Dual-fiber 550m Single Mode, Single-fiber 20/40/60/80/100Km Single Mode, Dual-fiber 20/40/60/80/100/120Km
Ethernet Port	RJ45 Ports, Connection STP / UTP Cat5/Cat5e Cooper Cable
Fiber Port	Multimode, Dual-fiber SC/ST/FC (Diameter 50/125, 62.5 / 125μm) Single Mode, Single Fiber, SC/ST/FC (Diameter 9/125μm) Single Mode, Dual-fiber SC/FC (diameter 9/125μm)
Exchange Attribute	Conversion Method: Media conversion, store and forward / straight in MAC Add: 8 K Cache: 1 Mbit Full duplex state: flow control, half-duplex: backpressure mode Store and Forward: 9.6us, Straight In: 0.9us BER: <1/1000000000
LED Indicator	PWR(Power Supply) FX LINK/ACT FDX (Ethernet port full / half duplex mode) TX LINK/ACT (Ethernet port communication / action) 1000 (1000/100/10M transmission rate) FX (Optical signal)
Power Supply	Power Input: DC5V 2A Full Load: <2.5 W
Working Environment	Operating Temperature: -20~70°C Storage Temperature: -40~70°C Storage Humidity: 5% to 90% non-condensing
Dimension	116*89*48mm (L * W * H)
Certification	CE, FCC, RoHS
Warranty	3-years

Order Information

Model No.	Description of Goods
JHA-G14	10/100/1000M Multimode, Dual Fiber, 550m, SC/ST/FC Connector
JHA-G14-20/40/60/80/100	10/100/1000M Single-mode, Dual Fiber, 20/40/60/80/100Km, SC/ST/FC Connector
JHA-G14W-20/40/60/80/100	10/100/1000M Single-mode, Single Fiber, 20/40/60/80/100Km, SC/ST/FC Connector

JHA-G18 Series

9-port Gigabit Fiber Ethernet Switch, 1-port 1000Base-FX and 8-port 10/100/1000Base-T(X)

Introduction



JHA-G18 series is complies with IEEE802.3 standards, It is designed to convert data signal between 1000Base-FX and 10/100/1000Base-T(X) Ethernet.

The media converter is connected between fiber cable and twisted cable, extend your Ethernet network beyond the 100-meter limit imposed by copper cable.

Converter is transparent to all protocols, can be used all all areas as Fiber to The Home, Fiber to the Business or Fiber to The Curb.

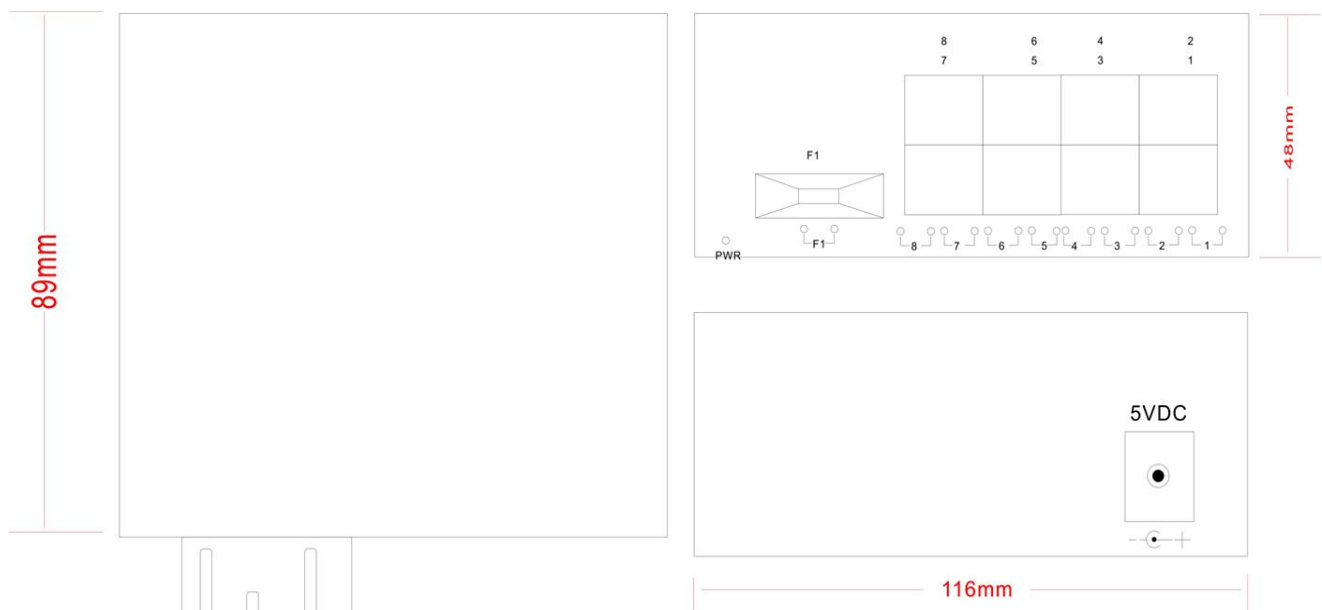
Features

- Compliance with IEEE 802.3, IEEE 802.3u, IEEE 802.3X, IEEE 802.1Q, 10Base-TX, 100Base-TX, 1000Base-TX, 1000Base-FX standards.
- It supports TCP / IP, PPPOE, DHCP, ICMP, NAT protocol.
- Flow control: Full duplex using IEEE 802.3X, a standard half-duplex adopt Backpressure.
- Electrical ports support auto-negotiation function, automatically adjusts the transmission and transfer rates.
- Ports support Auto-MDI / MDIX auto-flip.
- Support store and forward mode.
- Supports 10M, 100M, 1000M mode or adaptive mode.
- Provide status indicators, external power supply (output 5V ~ 50Hz 2A).
- The card design, to facilitate future maintenance and inspection equipment.
- Modular power supply design, function board with separate power supply design, easy to

post-maintenance.

- Unique IC solutions, the chip temperature low, to get rid of plus cooling system, flow control and reduce broadcast storms.
- High-quality integrated photovoltaic module provides good optical properties and electrical properties to ensure reliable transmission, long life.
- Operating Mechanism broadcast filtering, address auto-learning and auto-update feature and store and forward.
- It supports up to 1916 byte long data packet transmission.
- Missing link to provide remote diagnostics, electrical interface and optical port link connection diagnostics, dynamic data transmission, full-duplex / half duplex, speed light, easy installation and later maintenance.
- Ultra-low power consumption of less than 2.5W (Input: AC110 ~ 260V), low heat, stable operation for a long time.

Dimension



Specification

Protocol Standard	IEEE802.3, IEEE802.3u, IEEE802.3z, IEEE802.1q, IEEE802.3ab, IEEE802.1p QoS, IEEE802.1d Spanning Tree
Wavelength	850nm/1310nm/1550nm
Transmission Distance	Cat5 100m Multimode, Single/Dual-fiber 550m Single Mode, Single-fiber 20/40/60/80/100Km Single Mode, Dual-fiber 20/40/60/80/100/120Km
Ethernet Port	RJ45 Ports, Connection STP / UTP Cat5/Cat5e Cooper Cable
Fiber Port	Multimode, Dual-fiber SC/ST/FC (Diameter 50/125, 62.5 / 125μm) Single Mode, Single Fiber, SC/ST/FC (Diameter 9/125μm) Single Mode, Dual-fiber SC/FC (diameter 9/125μm)
Exchange Attribute	Conversion Method: Media conversion, store and forward / straight in MAC Add: 8 K Cache: 1 Mbit Full duplex state: flow control, half-duplex: backpressure mode Store and Forward: 9.6us, Straight In: 0.9us BER: <1/1000000000
LED Indicator	PWR(Power Supply) FX LINK/ACT FDX (Ethernet port full / half duplex mode) TX LINK/ACT (Ethernet port communication / action) 1000 (1000/100/10M transmission rate) FX (Optical signal)
Power Supply	Power Input: DC5V 2A Full Load: <2.5 W
Working Environment	Operating Temperature: -20~70°C Storage Temperature: -40~70°C Storage Humidity: 5% to 90% non-condensing
Dimension	116*89*48mm (L * W * H)
Certification	CE, FCC, RoHS
Warranty	3-years

Order Information

Model No.	Description of Goods
JHA-G18	10/100/1000M Multimode, Dual Fiber, 550m, SC/ST/FC Connector
JHA-G18-20/40/60/80/100	10/100/1000M Single-mode, Dual Fiber, 20/40/60/80/100Km, SC/ST/FC Connector
JHA-G18W-20/40/60/80/100	10/100/1000M Single-mode, Single Fiber, 20/40/60/80/100Km, SC/ST/FC Connector

JHA-G24 Series

6-port Gigabit Fiber Media Converter, 2-port 1000Base-FX and 4-port 10/100/1000Base-T(X)

Introduction



JHA-G24 series is complies with IEEE802.3 standards, It is designed to convert data signal between 1000Base-FX and 10/100/1000Base-T(X) Ethernet.

The media converter is connected between fiber cable and twisted cable, extend your Ethernet network beyond the 100-meter limit imposed by copper cable.

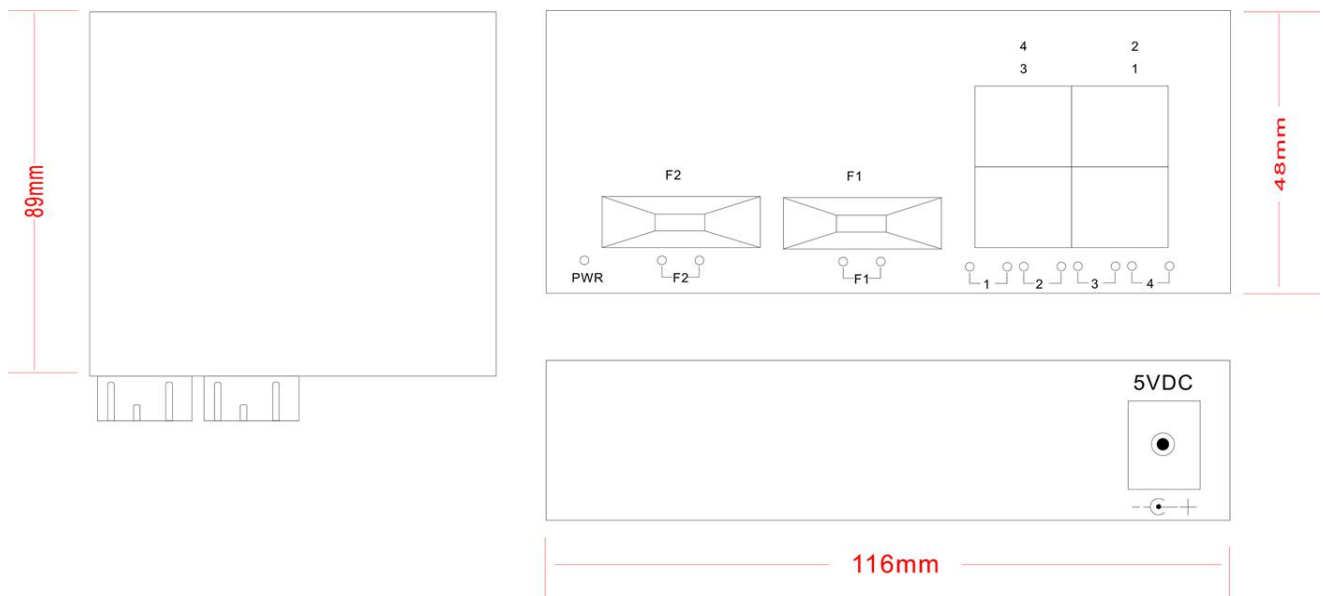
Converter is transparent to all protocols, can be used all all areas as Fiber to The Home, Fiber to the Business or Fiber to The Curb.

Features

- Compliance with IEEE 802.3, IEEE 802.3u, IEEE 802.3X, IEEE 802.1Q, 100BASE-TX, 100BASE-TX, 100Base-FX standards.
- It supports TCP / IP, PPPOE, DHCP, ICMP, NAT protocol.
- Flow control: Full duplex using IEEE 802.3X, a standard half-duplex adopt Backpressure.
- Electrical ports support auto-negotiation function, automatically adjusts the transmission and transfer rates.
- Ports support Auto-MDI / MDIX auto-flip.
- Support store and forward mode.
- Supports 10M, 100M, 1000M mode or adaptive mode.
- Provide status indicators, external power supply (output 5V ~ 50HZ 2A).
- The card design, to facilitate future maintenance and inspection equipment.
- Modular power supply design, function board with separate power supply design, easy to post-maintenance.

- Unique IC solutions, the chip temperature low, to get rid of plus cooling system, flow control and reduce broadcast storms.
- High-quality integrated photovoltaic module provides good optical properties and electrical properties to ensure reliable transmission, long life.
- Operating Mechanism broadcast filtering, address auto-learning and auto-update feature and store and forward.
- It supports up to 1916 byte long data packet transmission.
- Missing link to provide remote diagnostics, electrical interface and optical port link link connection diagnostics, dynamic data transmission, full-duplex / half duplex, speed light, easy installation and later maintenance.
- Ultra-low power consumption of less than 2.5W (Input: AC140 ~ 260V), low heat, stable operation for a long time.

Dimension



Specification

Protocol Standard	IEEE802.3, IEEE802.3u, IEEE802.3z, IEEE802.1q, IEEE802.3ab, IEEE802.1p QoS, IEEE802.1d Spanning Tree
Wavelength	850nm/1310nm/1550nm
Transmission Distance	Cat5 100m Multimode, Single/Dual-fiber 550m Single Mode, Single-fiber 20/40/60/80/100Km Single Mode, Dual-fiber 20/40/60/80/100/120Km
Ethernet Port	RJ45 Ports, Connection STP/UTP Cat5/Cat5e Cooper Cable
Fiber Port	Multimode, SC/ST/FC/LC (Diameter 50/125, 62.5 / 125 μ m) Single Mode, SC/ST/FC/LC (Diameter 9/125 μ m)
Exchange Attribute	Conversion Method: Media conversion, store and forward / straight in MAC Add: 8 K Cache: 1 Mbit Full duplex state: flow control, half-duplex: backpressure mode Store and Forward: 9.6us, Straight In: 0.9us BER: <1/1000000000
LED Lights	PWR(Power Supply) FX LINK/ACT FDX (Ethernet port full / half duplex mode) TX LINK/ACT (Ethernet port communication / action) 1000 (1000/100/10M transmission rate) FX (Optical signal)
Power Supply	Power Input: DC5V 2A Full Load: <2.5 W
Working Environment	Operating Temperature: -20~70 $^{\circ}$ C Storage Temperature: -40~70 $^{\circ}$ C Storage Humidity: 5% to 90% non-condensing
Dimension	116*89*48mm (L * W * H)
Certification	CE, FCC, RoHS
Warranty	3-years

Order Information

Model No.	Description of Goods
JHA-G24	10/100/1000M Multimode, Dual Fiber, 550m, SC/ST/FC Connector
JHA-G24-20/40/60/80/100	10/100/1000M Single-mode, Dual Fiber, 20/40/60/80/100Km, SC/ST/FC Connector
JHA-G24W-20/40/60/80/100	10/100/1000M Single-mode, Single Fiber, 20/40/60/80/100Km, SC/ST/FC Connector
JHA-GS24	2 1000Base-X SFP Slot + 4 10/100/1000Base-T(X) RJ45 Port

JHA-G28 Series

10-port Gigabit Fiber Ethernet Switch, 2-port 1000Base-FX and 8-port 10/100/1000Base-T(X)

Introduction



JHA-G28 series is complies with IEEE802.3 standards, It is designed to convert data signal between 1000Base-FX and 10/100/1000Base-T(X) Ethernet.

The media converter is connected between fiber cable and twisted cable, extend your Ethernet network beyond the 100-meter limit imposed by copper cable.

Converter is transparent to all protocols, can be used all all areas as Fiber to The Home, Fiber to the Business or Fiber to The Curb.



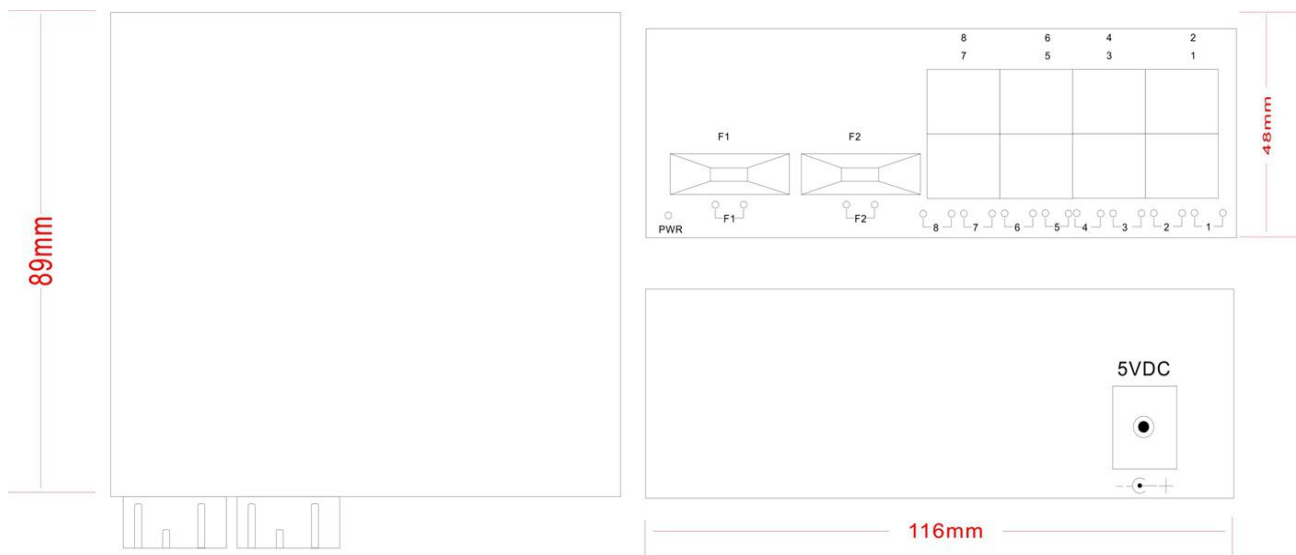
Features

- Compliance with IEEE 802.3, IEEE 802.3u, IEEE 802.3X, IEEE 802.1Q, 10Base-TX, 100Base-TX, 1000Base-TX, 1000Base-FX standards.
- It supports TCP / IP, PPPOE, DHCP, ICMP, NAT protocol.
- Flow control: Full duplex using IEEE 802.3X, a standard half-duplex adopt Backpressure.
- Electrical ports support auto-negotiation function, automatically adjusts the transmission and transfer rates.
- Ports support Auto-MDI / MDIX auto-flip.
- Support store and forward mode.
- Supports 10M, 100M, 1000M mode or adaptive mode.
- Provide status indicators, external power supply (output 5V ~ 50Hz 2A).
- The card design, to facilitate future maintenance and inspection equipment.
- Modular power supply design, function board with separate power supply design, easy to

post-maintenance.

- Unique IC solutions, the chip temperature low, to get rid of plus cooling system, flow control and reduce broadcast storms.
- High-quality integrated photovoltaic module provides good optical properties and electrical properties to ensure reliable transmission, long life.
- Operating Mechanism broadcast filtering, address auto-learning and auto-update feature and store and forward.
- It supports up to 1916 byte long data packet transmission.
- Missing link to provide remote diagnostics, electrical interface and optical port link connection diagnostics, dynamic data transmission, full-duplex / half duplex, speed light, easy installation and later maintenance.
- Ultra-low power consumption of less than 2.5W (Input: AC110 ~ 260V), low heat, stable operation for a long time.

Dimension



Specification

Protocol Standard	IEEE802.3, IEEE802.3u, IEEE802.3z, IEEE802.1q, IEEE802.3ab, IEEE802.1p QoS, IEEE802.1d Spanning Tree
Wavelength	850nm/1310nm/1550nm
Transmission Distance	Cat5 100m Multimode, Single/Dual-fiber 550m Single Mode, Single-fiber 20/40/60/80/100Km Single Mode, Dual-fiber 20/40/60/80/100/120Km
Ethernet Port	RJ45 Ports, Connection STP / UTP Cat5/Cat5e Cooper Cable
Fiber Port	Multimode, Dual-fiber SC/ST/FC (Diameter 50/125, 62.5 / 125μm) Single Mode, Single Fiber, SC/ST/FC (Diameter 9/125μm) Single Mode, Dual-fiber SC/FC (diameter 9/125μm)
Exchange Attribute	Conversion Method: Media conversion, store and forward / straight in MAC Add: 8 K Cache: 1 Mbit Full duplex state: flow control, half-duplex: backpressure mode Store and Forward: 9.6us, Straight In: 0.9us BER: <1/1000000000
LED Indicator	PWR(Power Supply) FX LINK/ACT FDX (Ethernet port full / half duplex mode) TX LINK/ACT (Ethernet port communication / action) 1000 (1000/100/10M transmission rate) FX (Optical signal)
Power Supply	Power Input: DC5V 2A Full Load: <2.5 W
Working Environment	Operating Temperature: -20~70°C Storage Temperature: -40~70°C Storage Humidity: 5% to 90% non-condensing
Dimension	116*89*48mm (L * W * H)
Certification	CE, FCC, RoHS
Warranty	3-years

Order Information

Model No.	Description of Goods
JHA-G28	10/100/1000M Multimode, Dual Fiber, 550m, SC/ST/FC Connector
JHA-G28-20/40/60/80/100	10/100/1000M Single-mode, Dual Fiber, 20/40/60/80/100Km, SC/ST/FC Connector
JHA-G28W-20/40/60/80/100	10/100/1000M Single-mode, Single Fiber, 20/40/60/80/100Km, SC/ST/FC Connector

JHA-GS82 Series

10-port Gigabit Fiber Ethernet Switch, 8-port 1000Base-X SFP Slot and 2-Port 10/100/1000Base-T(X)

Introduction



JHA-GS82 is a gigabit Ethernet switches supports two types media for network connection and switching such as 10/100/1000Base-T and 1000Base-SX/LX. The switch is designed with a switch controller and buffer memory that connects two types segments to operate smoothly. The Switch with 8 SFP slot 1000Base-T/SX/LX and 2 RJ45 port 10/100/1000Base-T(selectable). The RJ45 port support Half or Full Duplex modes. All SFP ports support only 1000Mbps and Full-Duplex modes. With external power unit, it provides good stability and reliability.

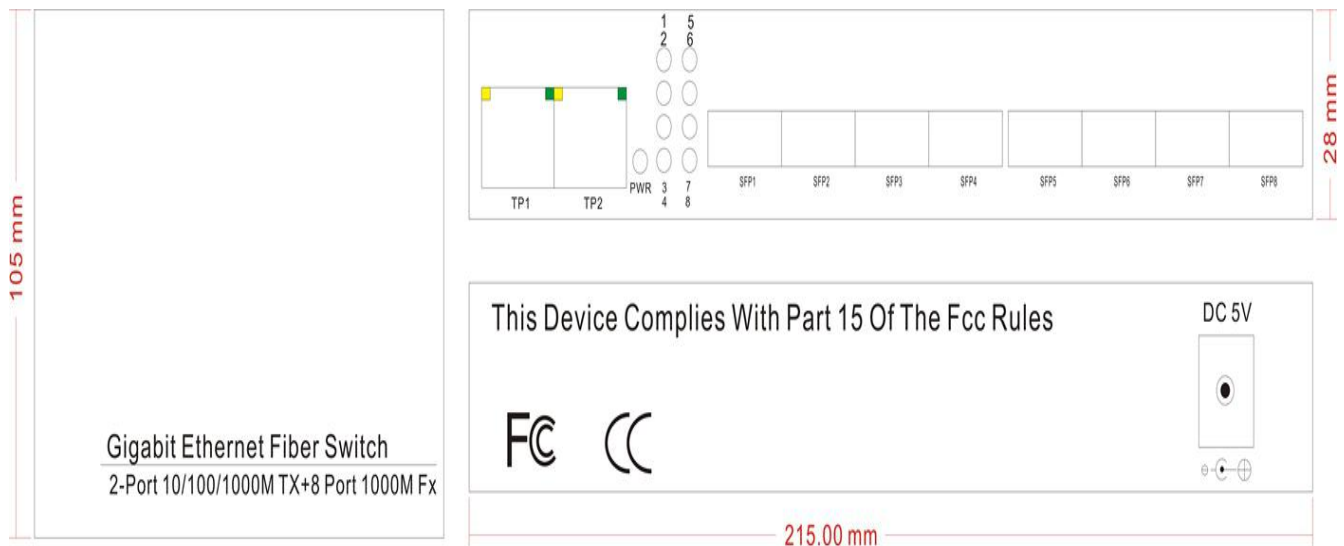
Features

- Compliance with IEEE 802.3, IEEE 802.3u, IEEE 802.3X, IEEE 802.1Q, 10Base-TX, 100Base-TX, 1000Base-TX, 1000Base-FX standards.
- It supports TCP / IP, PPPOE, DHCP, ICMP, NAT protocol.
- Flow control: Full duplex using IEEE 802.3X, a standard half-duplex adopt Backpressure.
- Electrical ports support auto-negotiation function, automatically adjusts the transmission and transfer rates.
- Ports support Auto-MDI / MDIX auto-flip.
- Support store and forward mode.
- Supports 10M, 100M, 1000M mode or adaptive mode.
- Provide status indicators, external power supply (output 5V ~ 50Hz 2A).
- The card design, to facilitate future maintenance and inspection equipment.
- Modular power supply design, function board with separate power supply design, easy to

post-maintenance.

- Unique IC solutions, the chip temperature low, to get rid of plus cooling system, flow control and reduce broadcast storms.
- High-quality integrated photovoltaic module provides good optical properties and electrical properties to ensure reliable transmission, long life.
- Operating Mechanism broadcast filtering, address auto-learning and auto-update feature and store and forward.
- It supports up to 1916 byte long data packet transmission.
- Missing link to provide remote diagnostics, electrical interface and optical port link link connection diagnostics, dynamic data transmission, full-duplex / half duplex, speed light, easy installation and later maintenance.
- Ultra-low power consumption of less than 2.5W (Input: AC110 ~ 260V), low heat, stable operation for a long time.

Dimension



Specification

Protocol Standard	IEEE802.3, IEEE802.3u, IEEE802.3z, IEEE802.1q, IEEE802.3ab, IEEE802.1p QoS, IEEE802.1d Spanning Tree
Wavelength	850nm/1310nm/1550nm
Transmission Distance	Cat5 100m Multimode, Single/Dual-fiber 550m Single Mode, Single-fiber 20/40/60/80/100Km Single Mode, Dual-fiber 20/40/60/80/100/120Km
Ethernet Port	RJ45 Ports, Connection STP / UTP Cat5/Cat5e Cooper Cable
Fiber Port	Multimode, Dual-fiber SC/ST/FC (Diameter 50/125, 62.5 / 125 μ m) Single Mode, Single Fiber, SC/ST/FC (Diameter 9/125 μ m) Single Mode, Dual-fiber SC/FC (diameter 9/125 μ m)
Exchange Attribute	Conversion Method: Media conversion, store and forward / straight in MAC Add: 8 K Cache: 1 Mbit Full duplex state: flow control, half-duplex: backpressure mode Store and Forward: 9.6us, Straight In: 0.9us BER: <1/1000000000
LED Indicator	PWR(Power Supply) FX LINK/ACT FDX (Ethernet port full / half duplex mode) TX LINK/ACT (Ethernet port communication / action) 1000 (1000/100/10M transmission rate) FX (Optical signal)
Power Supply	Power Input: DC5V 2A Full Load: <2.5 W
Working Environment	Operating Temperature: -20~70 $^{\circ}$ C Storage Temperature: -40~70 $^{\circ}$ C Storage Humidity: 5% to 90% non-condensing
Dimension	215*105*28mm (L * W * H)
Certification	CE, FCC, RoHS
Warranty	3-years

Order Information

Model No.	Description of Goods
JHA-GS82	8*1000Base-X SFP Slot + 2*10/100/1000Base-T(X) RJ45 Port